

MAIN SERVICE SCHEDULE			
SYMBOL	SIZE	SERVICE	ENTRY
Ⓜ	H	1"	HOT WATER MANIFOLD (45 PSIG MAX.) ABOVE
Ⓜ	C	1"	COLD WATER MANIFOLD (45 PSIG MAX.) ABOVE
Ⓜ	G	2"	GAS MANIFOLD (9" W.C.) - SERVICE W/ (1) 2" MECHANICAL GAS VALVE (SHIPPED LOOSE) ABOVE
Ⓜ	E	180A	ELECTRIC - 120/208/3Ø, 5 WIRE POINT OF USE BREAKER SYSTEM W/ 225 AMP SHUNT TRIP MAIN BKR ABOVE
Ⓜ	FS	20A	FIRE FUEL SHUT-OFF CIRCUIT (120/1 FROM FIRE SYSTEM) ABOVE
Ⓜ	F	10A	FAN CONTROL CIRCUIT 120/1 ABOVE
Ⓜ	HL	20A	HOOD LIGHT(S) CONTROL CIRCUIT 120/1 ABOVE

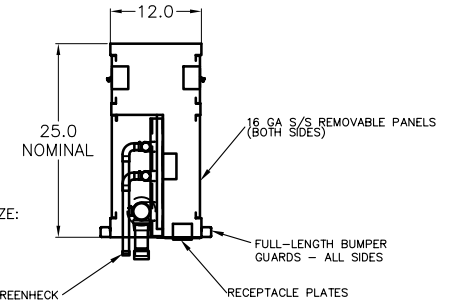
NOTE: FIELD CONNECTION REQUIREMENTS FOR GAS AND ELECTRIC.

GAS MANIFOLD - BRING IN THE FOLLOWING GAS MBH TO THE CHASE MANIFOLD:

PIPE SIZE	SINGLE SERVICE			LOOPED SERVICE		
	10 FT. CHASE	20 FT. CHASE	30 FT. CHASE	10 FT. CHASE	20 FT. CHASE	30 FT. CHASE
2"	3050	2100	1650	6100	4200	3300

ELECTRICAL SERVICE - FOR THE DESIRED "KW" BRING IN THE FOLLOWING AMP SIZE:

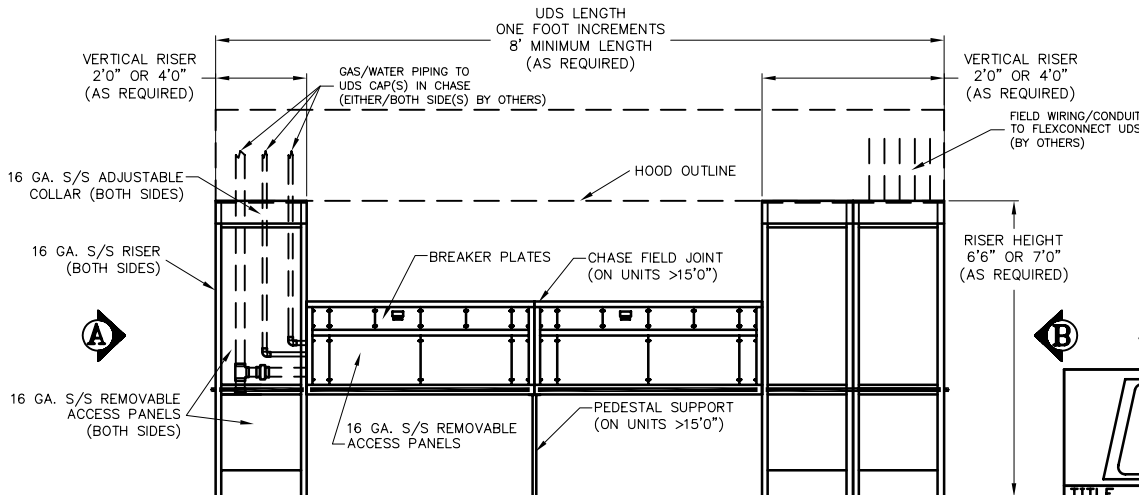
FEEDER AMPS	120/208/3 PHASE MAX. KW
50	14.4
100	28.8
150	43.2
200	57.6
225	64.8



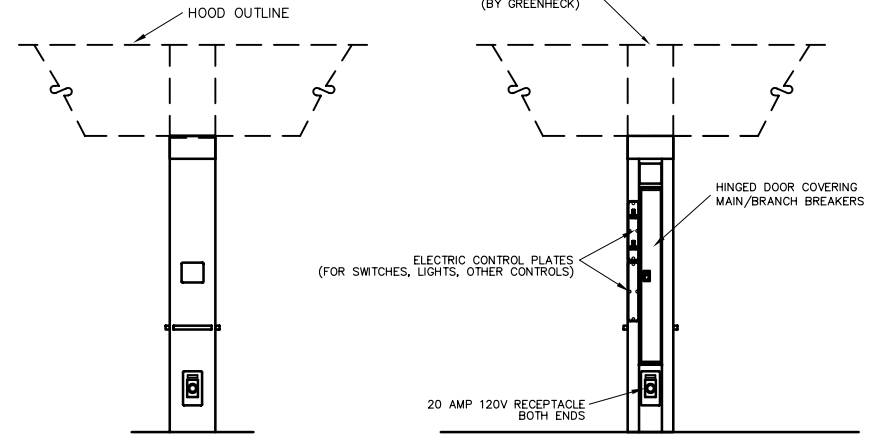
TYPICAL SECTION THRU C

ITEM ~ UTILITY DISTRIBUTION SYSTEM

GREENHECK DISTRIBUTION SYSTEM IS DESIGNED AND FABRICATED IN ACCORDANCE WITH THE LATEST RELEASE OF THE NATIONAL FIRE PROTECTION ASSOCIATION, NATIONAL ELECTRICAL CODE, NATIONAL ELECTRICAL MANUFACTURERS ASSOCIATION, UNIFORM PLUMBING CODE.



TYPICAL ELEVATION VIEW



TYPICAL ELEVATION "A"

TYPICAL ELEVATION "B"

This FlexConnect Unit is an Option #2 Point of Use Breaker System.

<p>GREENHECK P.O.BOX 410 SCHOFIELD, WISCONSIN 54476-0410</p>	DRAWN BY PODJASKI	ECD
	DATE 01/26/2004	ENG. REF.
TITLE FLEX CONNECT SYSTEM MIH-GHC-__'0"	SUPERSEDES	SCALE NONE
CAD DRAWING NO.	FLEXCONNECT_OPTION_2_POINT OF USE	A