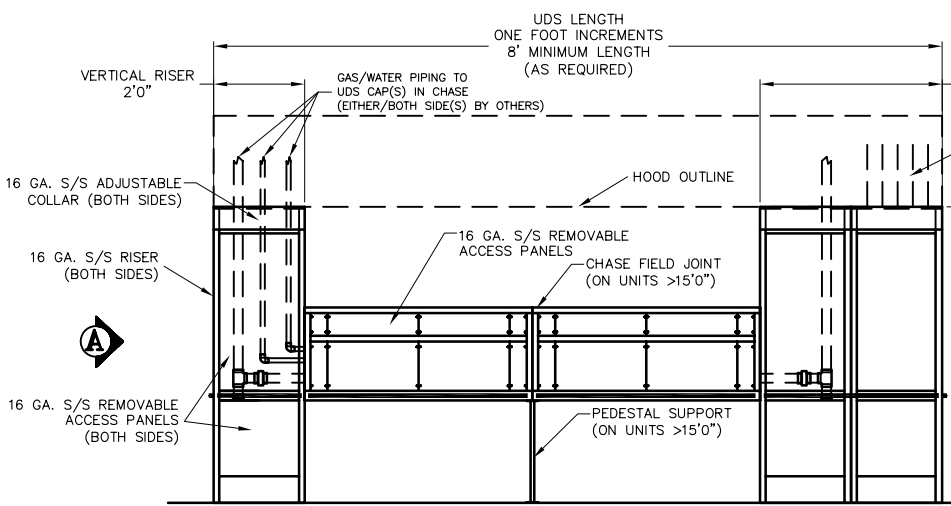


PLAN VIEW

ITEM ~ UTILITY DISTRIBUTION SYSTEM

GREENHECK DISTRIBUTION SYSTEM IS DESIGNED AND FABRICATED IN ACCORDANCE WITH THE LATEST RELEASE OF THE NATIONAL FIRE PROTECTION ASSOCIATION, NATIONAL ELECTRICAL CODE, NATIONAL ELECTRICAL MANUFACTURERS ASSOCIATION, UNIFORM PLUMBING CODE.



TYPICAL ELEVATION VIEW

This FlexConnect Unit is a Panelboard System.

MAIN SERVICE SCHEDULE				
SYMBOL	SIZE	SERVICE		ENTRY
H	1"	HOT WATER MANIFOLD (45 PSIG MAX.)		ABOVE
C	1"	COLD WATER MANIFOLD (45 PSIG MAX.)		ABOVE
G	2"	GAS MANIFOLD (7" W.C.) - SERVICE W/ (1) 2" MECHANICAL GAS VALVE (SHIPPED LOOSE)		ABOVE
E	180A	ELECTRIC - 120/208/3Ø, 5 WIRE PANELBOARD SYSTEM W/ 225 AMP SHUNT TRIP MAIN BKR.		ABOVE
FS	20A	FIRE FUEL SHUT-OFF CIRCUIT (120/1 FROM FIRE SYSTEM)		ABOVE
F	10A	FAN CONTROL CIRCUIT 120/1		ABOVE
HL	20A	HOOD LIGHT(S) CONTROL CIRCUIT 120/1		ABOVE

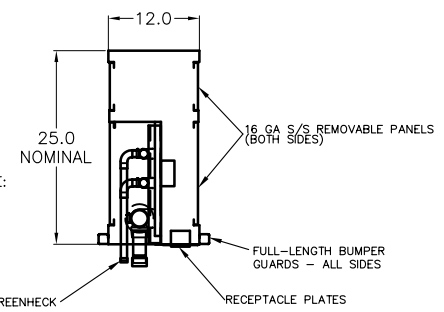
NOTE: FIELD CONNECTION REQUIREMENTS FOR GAS AND ELECTRIC.

GAS MANIFOLD - BRING IN THE FOLLOWING GAS MBH TO THE CHASE MANIFOLD:

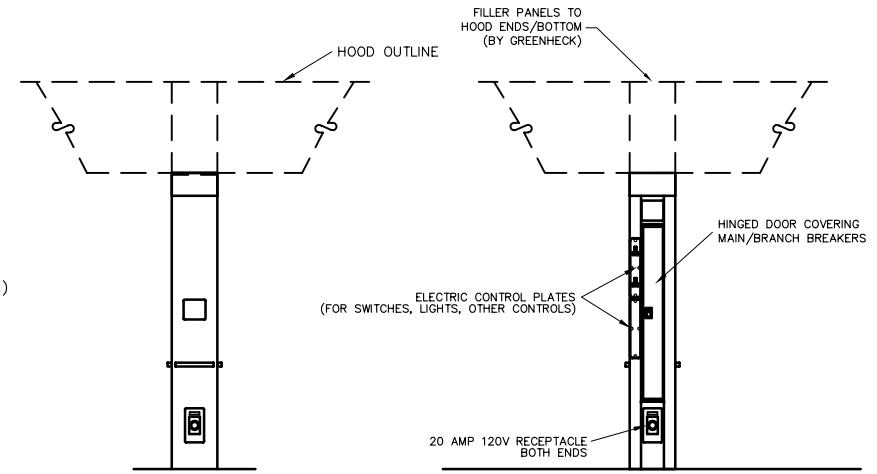
PIPE SIZE	SINGLE SERVICE			LOOPED SERVICE		
	10 FT. CHASE	20 FT. CHASE	30 FT. CHASE	10 FT. CHASE	20 FT. CHASE	30 FT. CHASE
2"	3050	2100	1650	6100	4200	3300

ELECTRICAL SERVICE - FOR THE DESIRED "KW" BRING IN THE FOLLOWING AMP SIZE:

FEEDER AMPS	120/208/3 PHASE MAX. KW
50	14.4
100	28.8
150	43.2
200	57.6
225	64.8



TYPICAL SECTION THRU C



TYPICAL ELEVATION "A"

TYPICAL ELEVATION "B"

<p>GREENHECK P.O.BOX 410 SCHOFIELD, WISCONSIN 54476-0410</p>	DRAWN BY PODJASKI	ECD
	DATE 01/26/2004	ENG. REF.
	SUPERSEDES	SCALE NONE
	TITLE FLEX CONNECT SYSTEM MIV-GHC-__'0"	CAD DRAWING NO.
FLEXCONNECT_OPTION_2_PANEL		