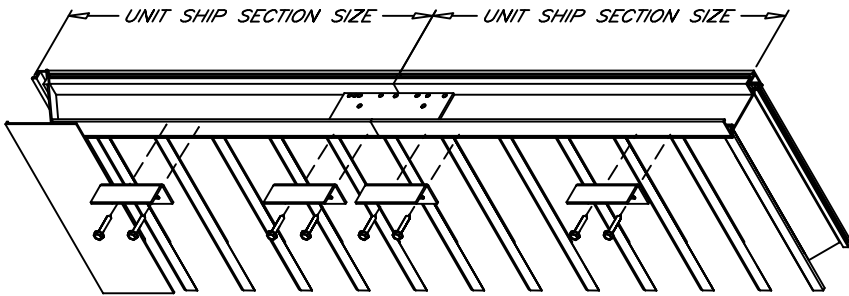
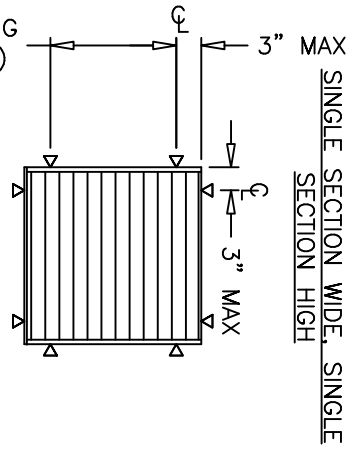


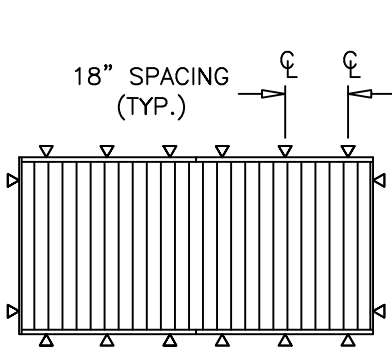
SINGLE SECTION
ANCHOR CLIPS INSTALLATION



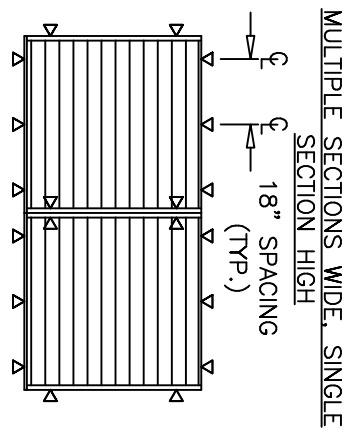
MULTIPLE SECTION HIGH
ANCHOR CLIPS INSTALLATION



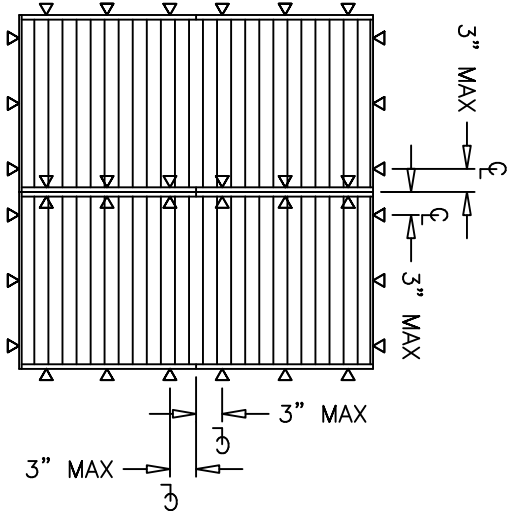
SINGLE SECTION WIDE, SINGLE
SECTION HIGH



SINGLE SECTION WIDE, MULTIPLE
SECTIONS HIGH



MULTIPLE SECTIONS WIDE, SINGLE
SECTION HIGH



MULTIPLE SECTIONS WIDE, MULTIPLE
SECTIONS HIGH

△ = RECOMMENDED ANCHOR LOCATIONS

<p>GREENHECK P.O. BOX 410 SCHERFIELD, WISCONSIN 54476-0410</p>	<p>DATE: 02/27/2004</p> <p>SCALE: 1/7</p> <p>ANCHOR</p>
	<p>DESIGNED BY: TESKE</p> <p>CHECKED BY: []</p>
<p>TITLE: STANDARD ANCHOR CLIP INSTALLATION INSTRUCTIONS</p>	<p>ANCHOR</p>