



**MAKE-UP AIR ROOF CURB**

**Model: MSU-42**

**ASSEMBLY INSTRUCTIONS**

Table of Contents	
Pg. 1	Duct Adapter Assembly (Optional)
Pg. 2	Blower Only Curb Assembly
Pg. 3	Blower & Direct Gas Module Curb Assmby (Optional)
Pg. 3	Blower & Coil Curb Extension (Optional)
Pg. 4	Dimensional Data

**DUCT ADAPTER PARTS LIST & ASSEMBLY**

Part Description	Height	Qty	P/N	Length
<b>Blower Curb Duct Adapter</b>				
<b>A</b> Duct Frame	12	2	710884	93.00 in.
	24	2	710967	93.00 in.
<b>B</b> Duct Cross Channels For blower 133 (Optional)	12	2	710963	46.50 in.
	24	2	710969	46.50 in.
	12	2	710963	46.50 in.
	24	2	710969	46.50 in.
<b>Direct Gas Module Duct Adapter (Recirc)</b>				
<b>A</b> Recirc Frame	12	2	710884	93.00 in.
	24	2	710967	93.00 in.
<b>C</b> Recirc Cross Channels (Optional)	12	2	710964	27.50 in.
	24	2	710962	27.50 in.
Hardware Kit		1	852311	

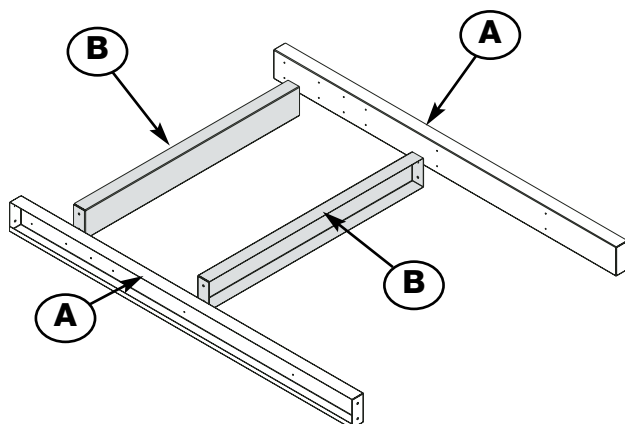
**Materials Required for Each Option:**

(8 -12) SCREWS, SMS (A) 12 x 0.625 (IHH)  
(Provided in Hardware kit)

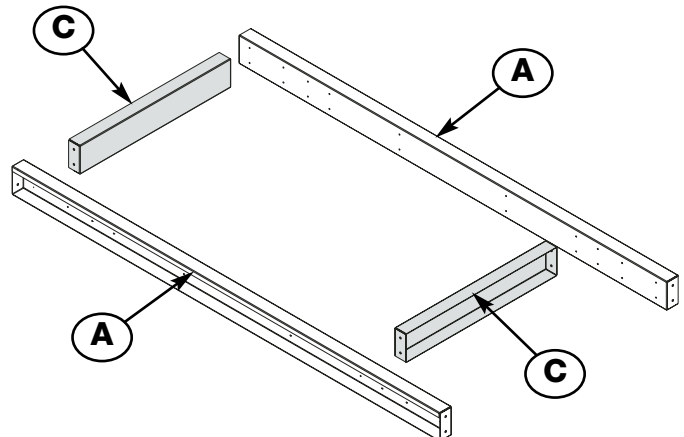
Cordless drill with 5/16 in. nut driver.

**Instructions:**

- Align pre-drilled holes on parts, indicated above, for selected option(s).
- Fasten together with screws provided.



**Figure 1: Blower Duct Adapter**



**Figure 2: Recirc Duct Adapter**

**NOTE:**  
Shaded parts in above drawings are optional. If specific unit does not have such options refer to page 2 for additional instructions. Please refer to page 4 for dimensional data.

# BLOWER ONLY CURB PARTS LIST & ASSEMBLY

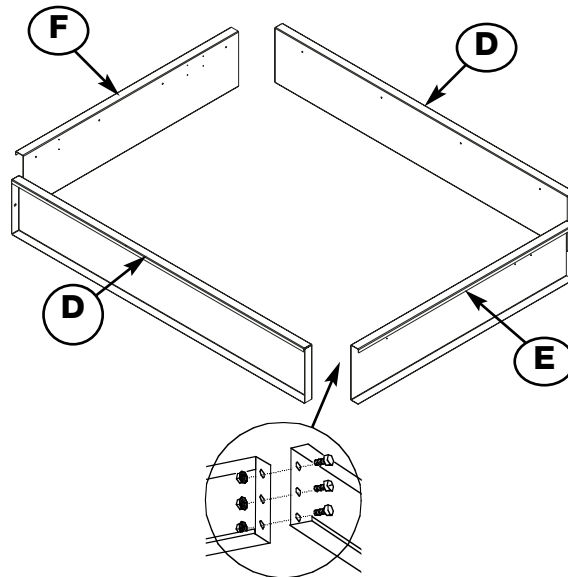
**NOTE:**  
If unit is equipped with Direct Gas Module or Coil Section, please refer to page 3 for assembly instruction.

	Part Description	Height	Qty	P/N	Length
<b>Blower Curb Only</b>					
<b>D</b>	End Channel	12	2	710881	96.75 in.
		24	2	710970	96.75 in.
<b>E</b>	Access Side	12	1	710883	67.75 in.
		24	1	710966	67.75 in.
<b>F</b>	Non-Access Side	12	1	710882	67.75 in.
		24	1	710968	67.75 in.

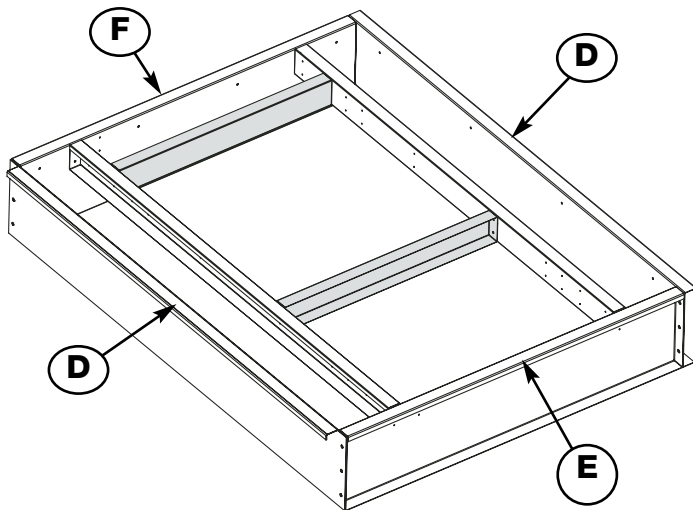
**Materials Required for Assembly:**

- (12 - 24) 3/8 - 16 x 3/4 Serrated Flange Bolts
- (12 - 24) 3/8 - 16 x 3/4 Serrated Flange Nuts
- (8 - 12) SCREWS, SMS (A) 12 x 0.625 (IHH)  
(Provided in Hardware kit)
- Cordless drill with 9/16 in. nut driver
- Cordless drill with 5/16 in. nut driver
- Awl - for hole alignment
- Combination 9/16 in. wrench

**Figure 3: Blower Curb Only**



**Figure 4: Blower Curb with Duct Adapter**



**Instructions:**

**Figure 3**

- Align pre-drilled holes.
- Fasten together with bolts provided.

**Figure 4**

- Fasten pre-assembled duct adapter to the access & non access sides with screws provided.
- Align pre-drilled holes.
- Fasten together with bolts provided.

**NOTE:**  
Figure 4 is shown with the Duct adapter option. Shaded parts are not included unless specifically ordered.  
Refer to Page 4 for dimensional data.

# BLOWER & DIRECT GAS MODULE CURB PARTS LIST & ASSEMBLY

Part Description	Height	Qty	P/N	Length
<b>D</b> End Channel	12	2	710881	96.75 in.
	24	2	710970	96.75 in.
<b>E</b> Access Side	12	1	710883	67.75 in.
	24	1	710966	67.75 in.
<b>F</b> Non-Access Side	12	1	710882	67.75 in.
	24	1	710968	67.75 in.
<b>G</b> Center	12	1	710885	96.75 in.
	24	1	710971	96.75 in.
<b>H</b> DGM Access Side	12	1	710887	58.00 in.
	24	1	710973	58.00 in.
<b>I</b> DGM Non Access Side	12	1	710886	58.00 in.
	24	1	710974	58.00 in.

## Materials Required for Assembly:

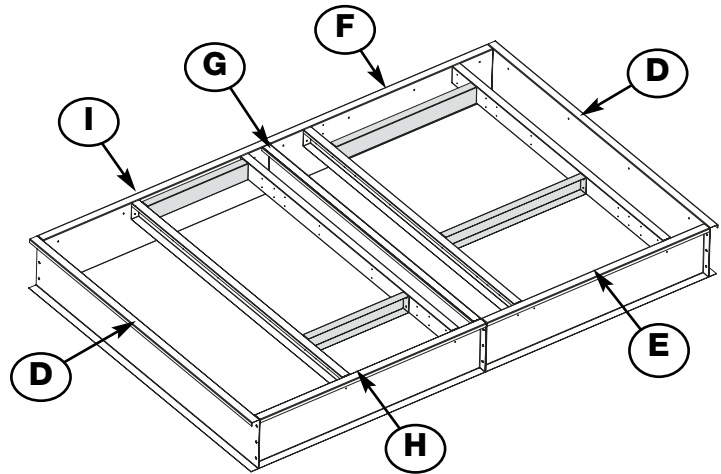
- (18 - 36) 3/8 - 16 x 3/4 Serrated Flange Bolts
- (18 - 36) 3/8 - 16 x 3/4 Serrated Flange Nuts
- (16 - 24) SCREWS, SMS (A) 12 x 0.625 (IHH)  
(Provided in Hardware kit)

- Cordless drill with 9/16 in. nut driver
- Cordless drill with 5/16 in. nut driver
- Awl - for hole alignment
- Combination 9/16 in. wrench

## Instructions (refer to Figure 5):

- Fasten pre-assembled duct adapters (if supplied) to the access & non access sides with screws provided.
- Fasten access & non-access sides to the Center with bolts provided.
- Align pre-drilled holes on curb corners.
- Fasten together with bolts provided.

Figure 5: Blower & Direct Gas Module Curb



# BLOWER & COIL EXTENSION PARTS LIST & ASSEMBLY

Part Description	Height	Qty	P/N	Length
<b>D</b> End Channel	12	2	710881	96.75 in.
	24	2	710970	96.75 in.
<b>E</b> Access Side	12	1	710883	67.75 in.
	24	1	710966	67.75 in.
<b>F</b> Non-Access Side	12	1	710882	67.75 in.
	24	1	710968	67.75 in.
<b>G</b> Center	12	1	710885	96.75 in.
	24	1	710971	96.75 in.
<b>J</b> Coil Side	12	2	710965	12.75 in.
	24	2	710972	12.75 in.

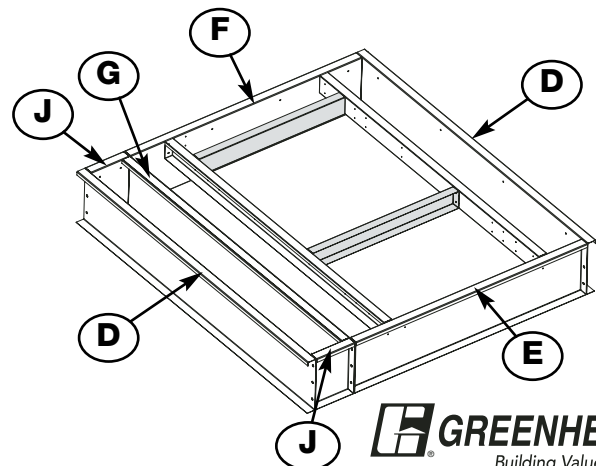
## Materials Required for Assembly:

Same materials required as Figure 5

## Instructions (refer to Figure 6):

- Fasten pre-assembled duct adapter (if supplied) to the access & non access sides with screws provided.
- Fasten access & non-access sides to the Center with bolts provided.
- Align pre-drilled holes on curb corners.
- Fasten together with bolts provided.

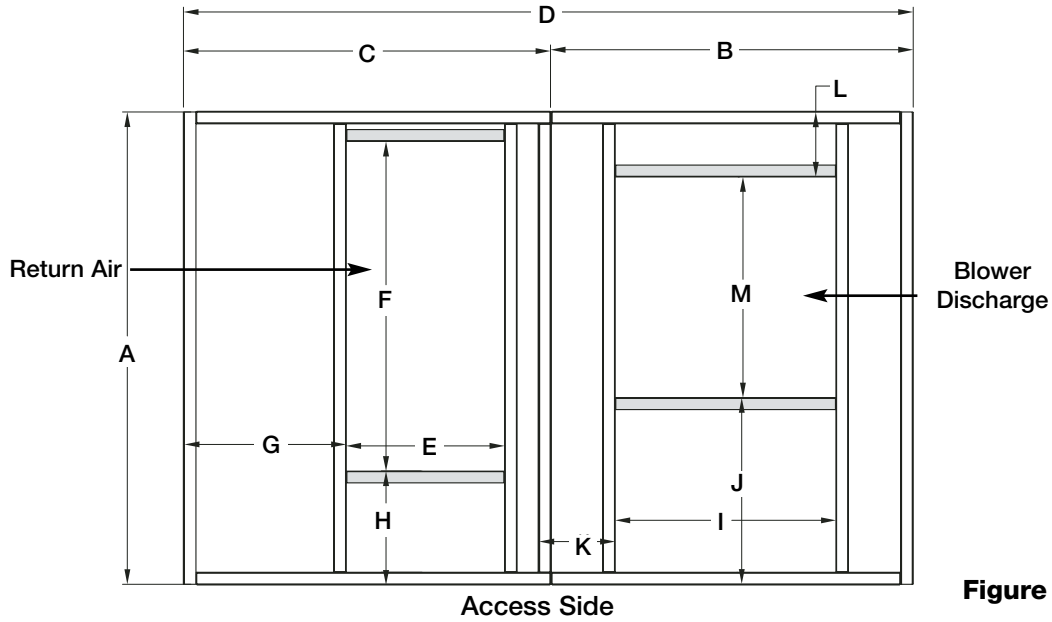
Figure 6: Blower & Coil Extension Curb



### NOTE:

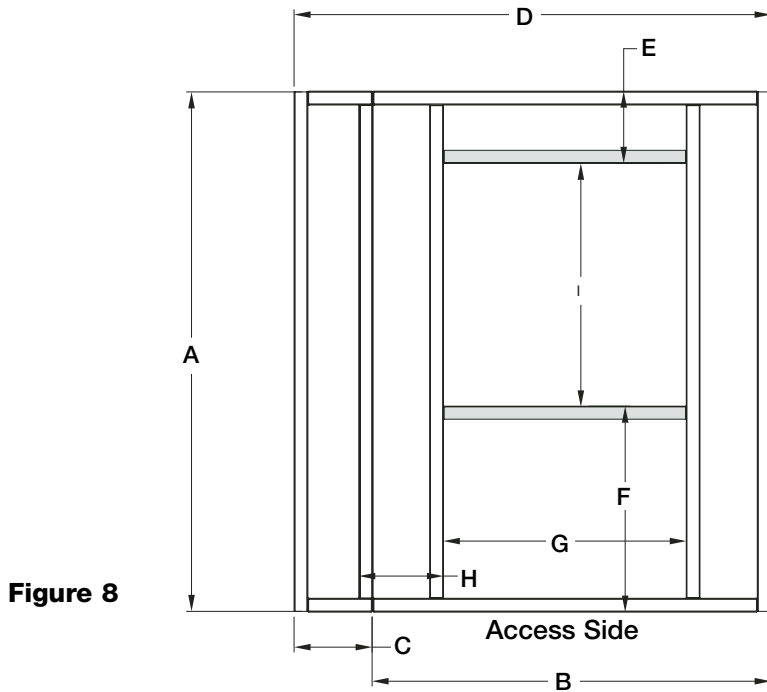
Figures 5 & 6 are shown with Duct adapter & Recirc adapter options. Shaded parts are not included unless specifically ordered. Refer to Page 4 for dimensional data.

# DIMENSIONAL DATA



**Figure 7**

Blower Size	A	B	C	D	E	F	G	H	I	J	K	L	M
<b>Dimensions for Blower and Direct Gas Curbs w/ Adapters (Figure 7)</b>													
133	97.00	69.75	60.00	129.75	27.50	66.50	27.25	24.25	46.00	33.50	12.50	21.00	42.50
136	97.00	69.75	60.00	129.75	27.50	66.50	27.25	24.25	46.00	33.50	12.50	18.00	45.50
<b>Dimensions for Blower and Coil Curb Extension w/ Adapters (Figure 8)</b>													
133	97.00	69.75	14.75	84.50	21.00	33.50	46.00	12.50	42.50	n/a	n/a	n/a	n/a
136	97.00	69.75	14.75	84.50	18.00	33.50	46.00	12.50	45.50	n/a	n/a	n/a	n/a



**Figure 8**

