

## Installation, Operation and Maintenance Manual

Please read and save these instructions for future reference. Read carefully before attempting to assemble, install, operate or maintain the product described. Protect yourself and others by observing all safety information. Failure to comply with instructions could result in personal injury and/or property damage!

This document is for transformer/2-speed control-  
ler mounting only. Reference the Vari-Green Motor  
Document No. 473681 for wiring details.

### NOTE

There will be extra hardware and parts included  
with this kit that may not be used for your specific  
application.

### Section 1

For Motor Part Numbers				
309025	309026	310107	310306	310307
310359	311377	311388	311731	311812
312359	312360	312361	312362	312619
313233	313234	313235	314534	314945
316495	316496	316497	316498	316499
317706	317707	317708	317709	

### Side of Motor Mounting (Fig. 1)

For use on G, CUE, CW, LD, and LDP units

- Fasten transformer to mounting bracket via (4) supplied screws (#10 x 1/2).
- Bend top of bracket away from transformer, by hand, along laser stitched line, forming a 90 degree angle.
- Attach bracket to top of motor via (2) motor thru-bolts. Fasten down with supplied nuts.

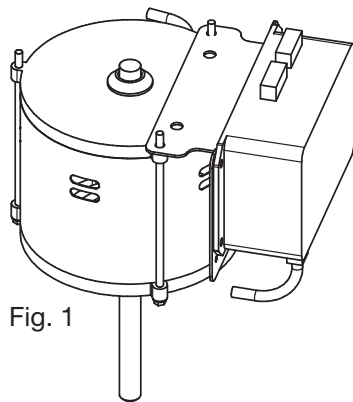


Fig. 1

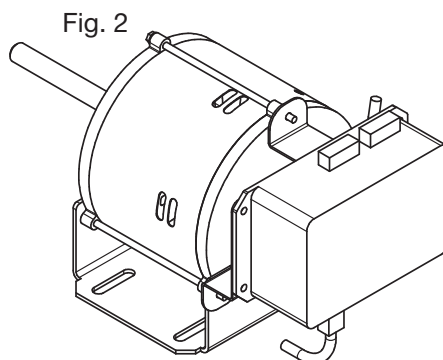


Fig. 2

### End of Motor Mounting (Fig. 2)

For use on SE/SS Sidewall Prop units and SFD units

- Fasten transformer to mounting bracket via (4) supplied screws (#10 x 1/2).
- Attach bracket to end of motor via motor thru bolts. Fasten down with supplied nuts.
- For a SFD make sure transformer is mounted under weatherhood.

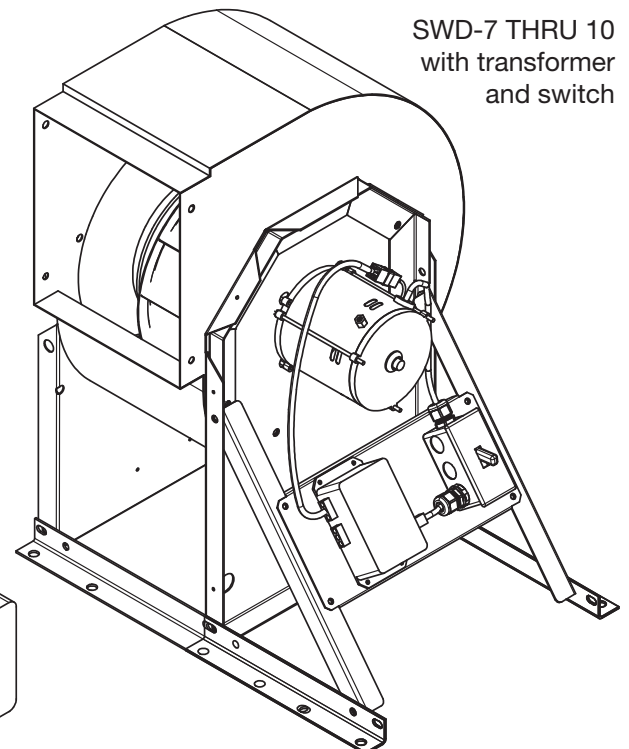
### Fan Housing Mounting

For use on SQ units

- Fasten transformer directly to outside of unit via (4) supplied screws (#10 x 1/2).

For use on SWD units

- Fasten transformer to Drive Frame Angles using the pre-existing holes and the (4) supplied screws (#10 x 1/2)



SWD-7 THRU 10  
with transformer  
and switch

## Section 2

### For Motor Part Numbers

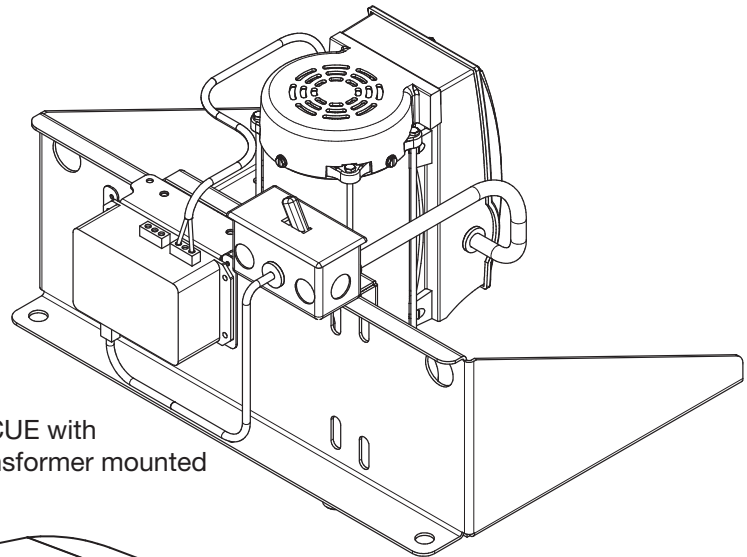
310420

311156

### Drive Frame Mounting

For use on G, CUE and CW units

- Fasten transformer to mounting bracket via (4) supplied screws (#10 x 1/2).
- Bend top of bracket away from transformer, by hand, along laser stitched line, forming a 90 degree angle.
- Attach bracket to drive frame angles, using the pre-existing holes and the (2) supplied screws (#10 x 1/2).



G/CUE with transformer mounted

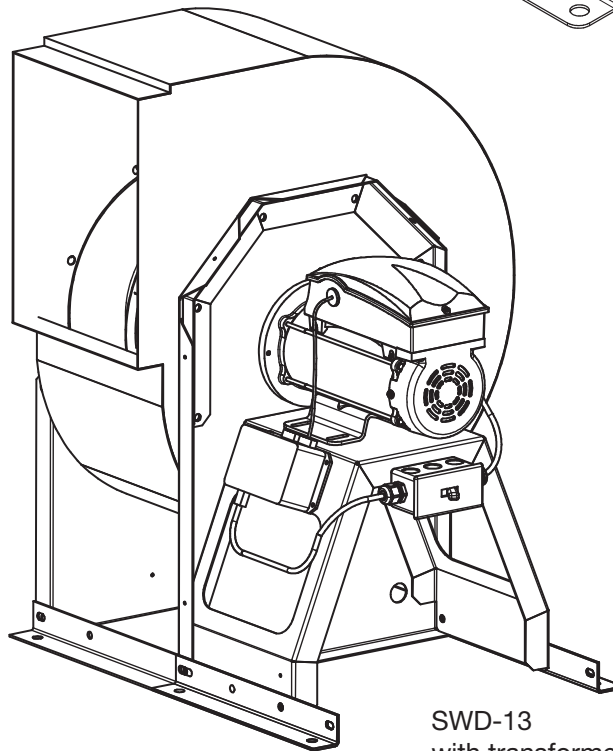
### Fan Housing Mounting

For use on SQ units

- Fasten transformer directly to outside of unit via (4) supplied screws (#10 x 1/2).

For use on SWD units

- Fasten transformer to Drive Frame Angles using the pre-existing holes and the (4) supplied screws (#10 x 1/2).



SWD-13 with transformer and switch

## Our Commitment

*As a result of our commitment to continuous improvement, Greenheck reserves the right to change specifications without notice.*

Specific Greenheck product warranties are located on [greenheck.com](http://greenheck.com) within the product area tabs and in the Library under Warranties.

AMCA Publication 410-96, Safety Practices for Users and Installers of Industrial and Commercial Fans, provides additional safety information. This publication can be obtained from AMCA International, Inc. at [www.amca.org](http://www.amca.org).

