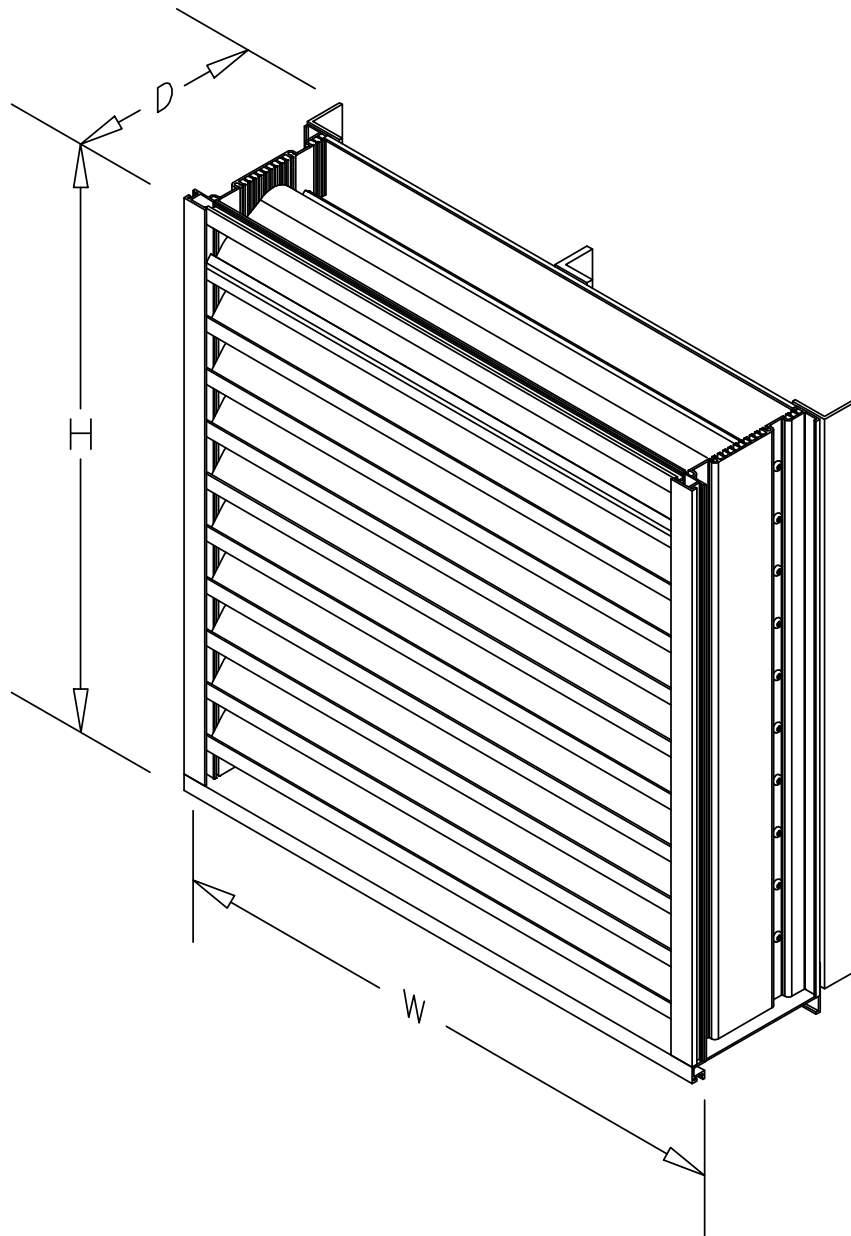


Installation, Operation, and Maintenance Instructions

This manual is the property of the owner, and is required for future maintenance.
Please leave it with the owner when the job is complete.

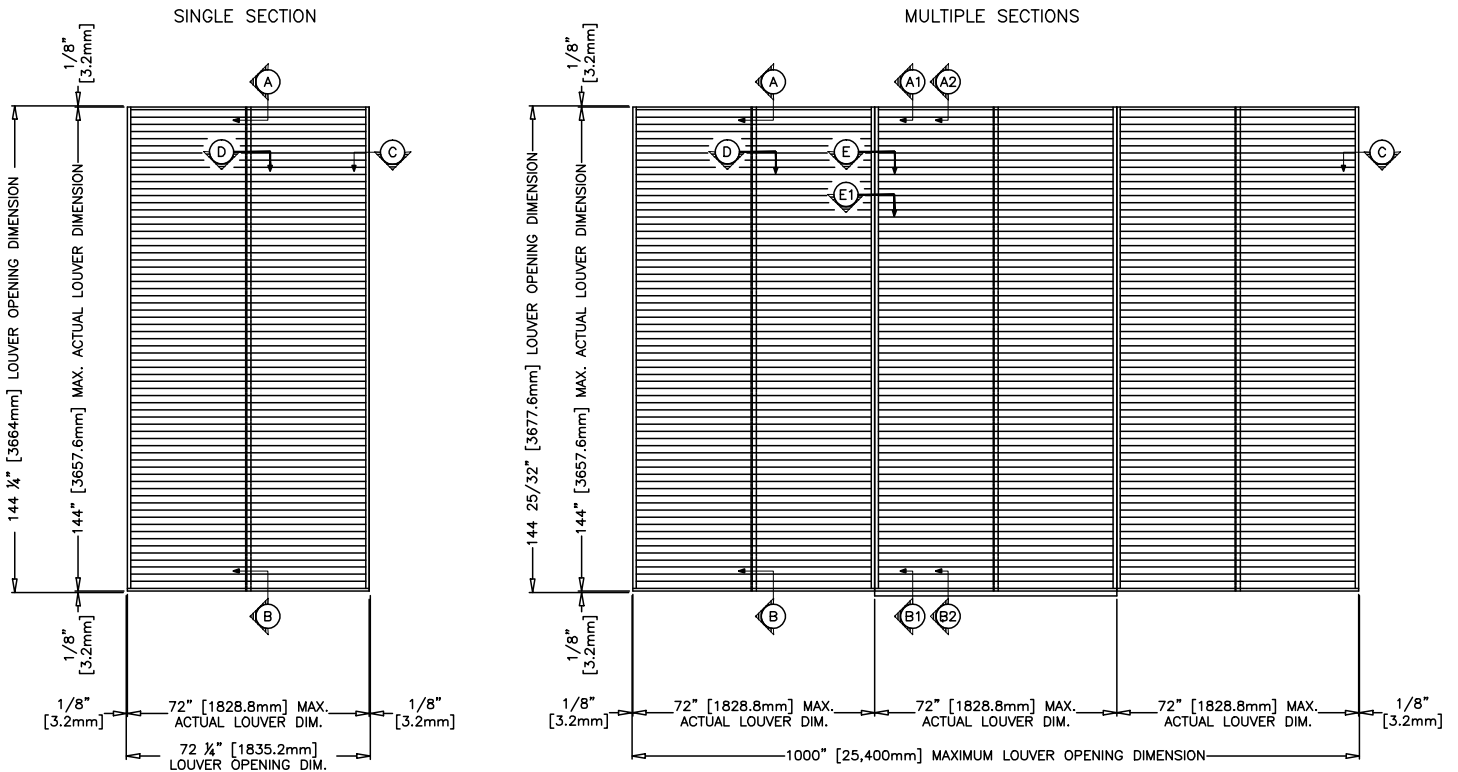


SAFETY WARNING:

Improper installation, adjustment, alteration, service or maintenance can cause property damage, injury or death. Read the installation, operating, and maintenance instructions thoroughly before installing or servicing this equipment.

Maximum Size and Installation Information

Model EHH-601D is a Miami-Dade Qualified and Florida Product Approved louver and must be installed in accordance with the installation instructions shown herein. Model EHH-601D is qualified for installation within concrete/masonry, steel stud, structural steel or wood framed building conditions. Model EHH-601D is structurally calculated to withstand positive and negative wind-loads up to 150 PSF. The maximum single section rough opening width is 72.75 in. The maximum single section rough opening height is 144.50 in. While the maximum rough opening height is limited to 144.50 in., the rough opening width is limited to 1,000 in. as multiple sections may be installed side by side in accordance with installation instructions.



**Minimum Rough
Opening Size**
12 in. W x 7 in. H

**Maximum Single Section
Rough Opening Size**
72.75 in. W x 144.50 in. H

Building Condition/Substrate Limitations

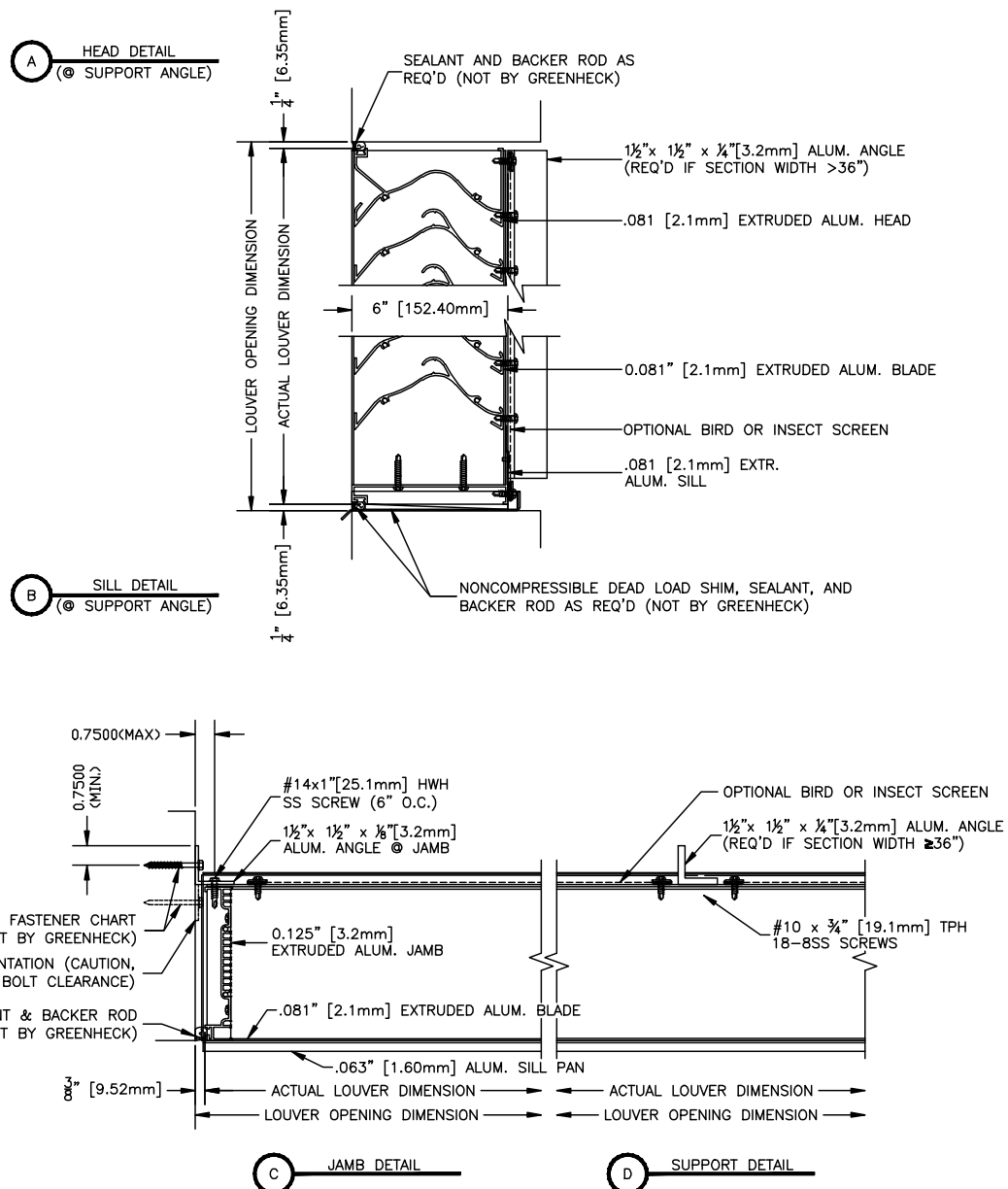
- All metal stud substrate should be min. 10 Ga. FY= 36 KSI
- All structural steel substrate shall be min. 0.125 in. thick FY= 36 KSI
- All concrete substrate shall be min. 4000 PSI (2000 PSI allowed with SDR)
- Concrete masonry shall be ASTM C90, Type II, 2000 PSI, grout-filled

Installation Instructions

EHH-601D

Channel Installation
Single Section

Florida Product Approval No: FL10088
Miami-Dade NOA No.: 10-0921.10
Maximum Wind-load: 150 PSF



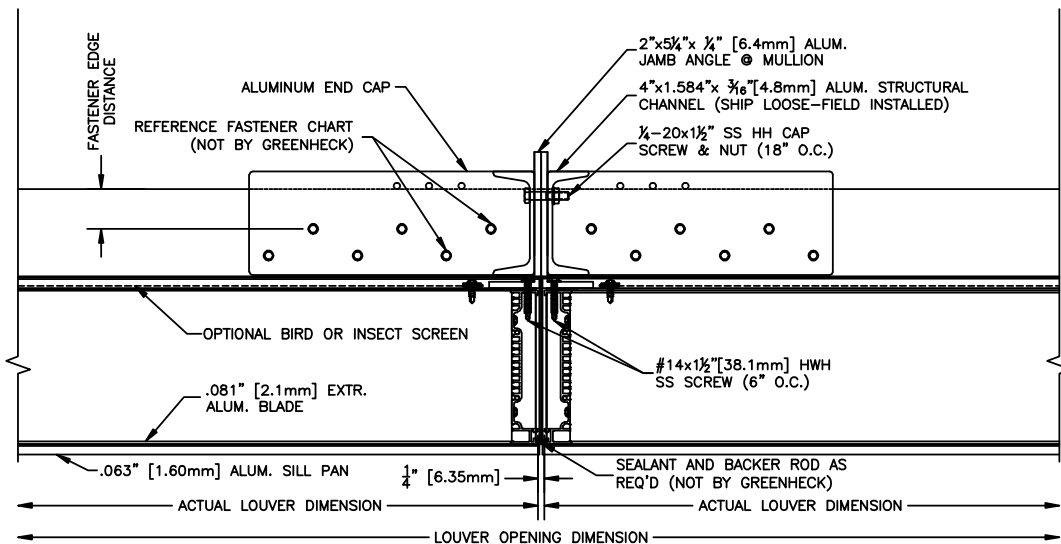
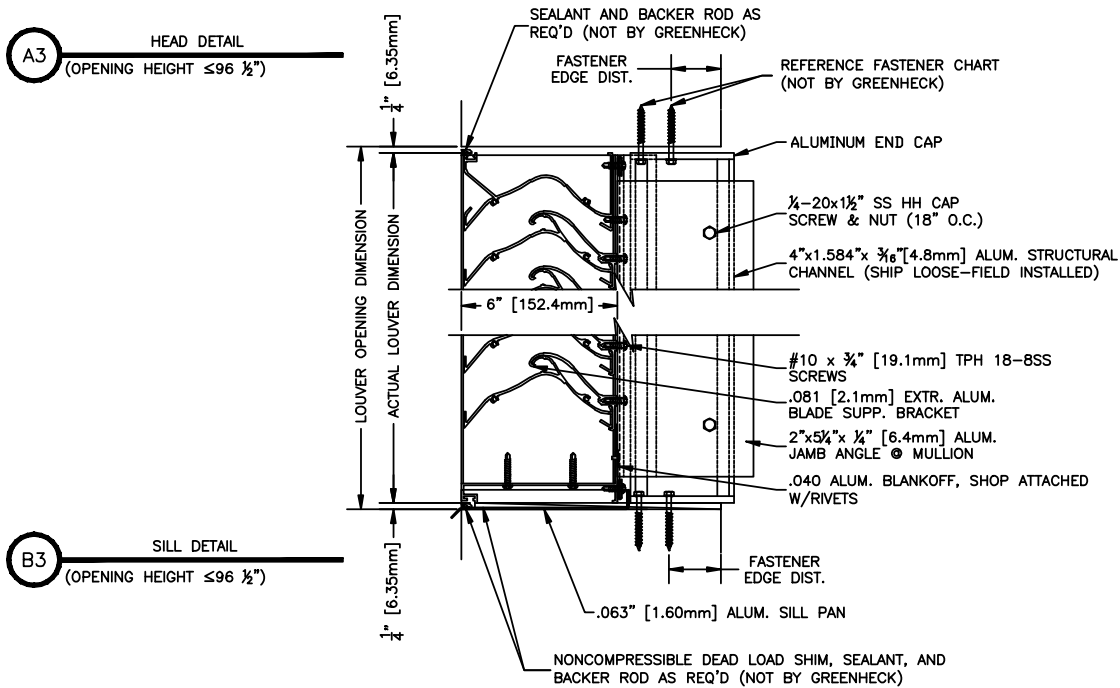
Installation Instructions

EHH-601D

Channel Installation
 Multiple Sections
 Height ≤ 96 ½"

Florida Product Approval No: FL10088
 Miami-Dade NOA No.: 10-0921.10
 Maximum Wind-load: 150 PSF

Reference page 5 for alternate head/sill detail.

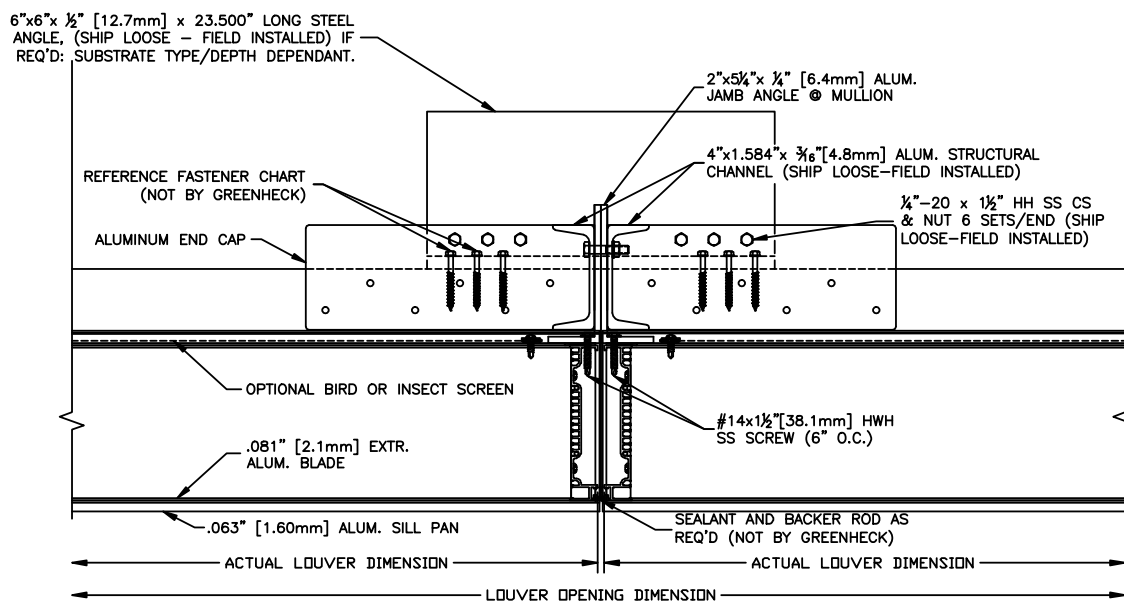
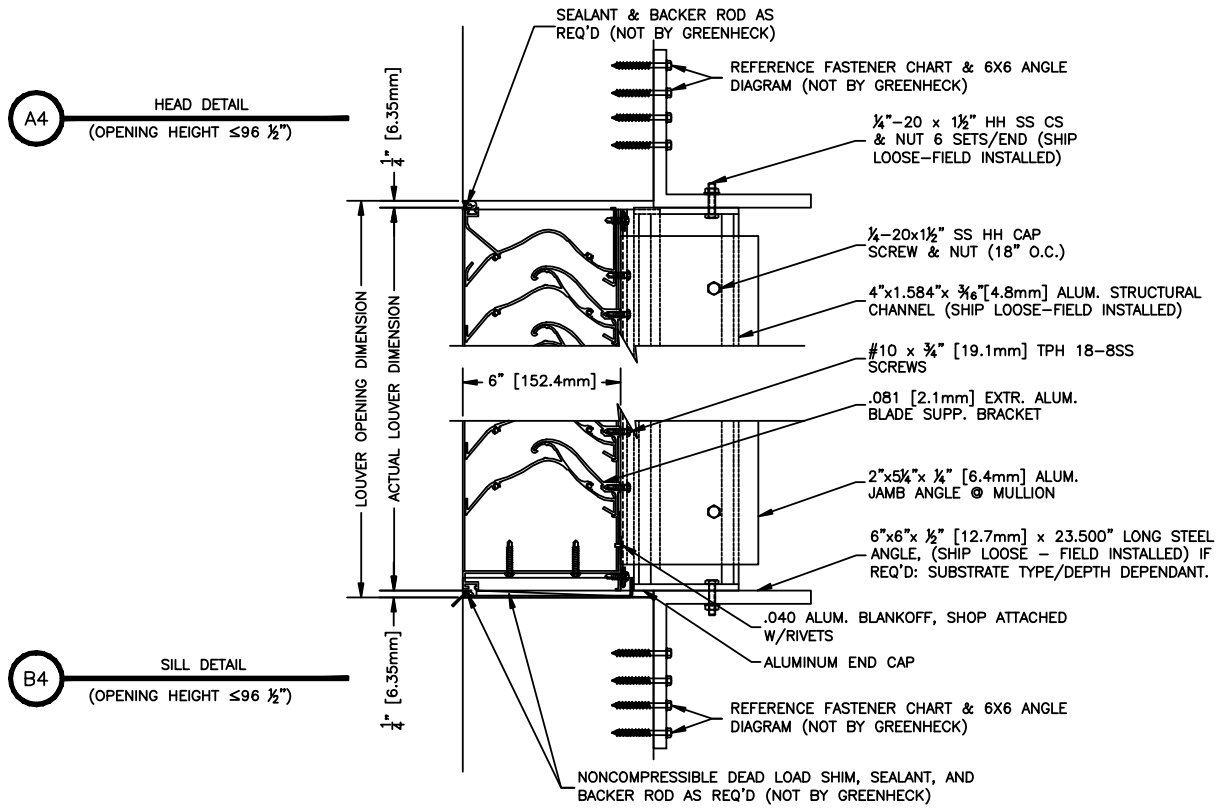


Installation Instructions

EHH-601D

Channel Installation
 Multiple Sections
 Height $\leq 96 \frac{1}{2}$ "

Florida Product Approval No: FL10088
 Miami-Dade NOA No.: 10-0921.10
 Maximum Wind-load: 150 PSF



C4 MULLION DETAIL
 (OPENING HEIGHT $\leq 96 \frac{1}{2}$ ")

Installation Instructions

EHH-601D

Channel Installation

Multiple Sections

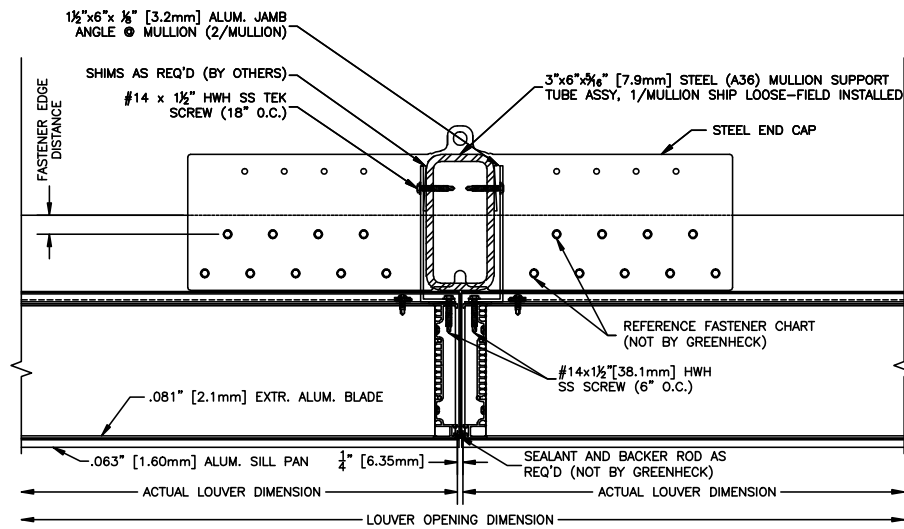
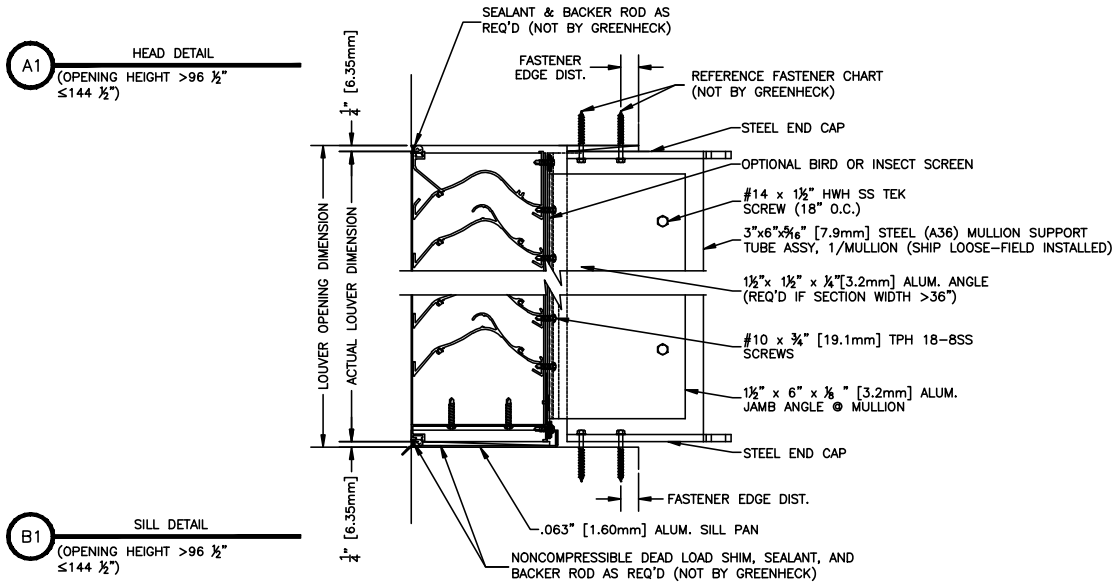
Height > 96 1/2" ≤ 144 1/2"

Florida Product Approval No: FL10088

Miami-Dade NOA No.: 10-0921.10

Maximum Wind-load: 150 PSF

Reference page 7 for alternate head/sill detail.



Installation Instructions

EHH-601D

Channel Installation

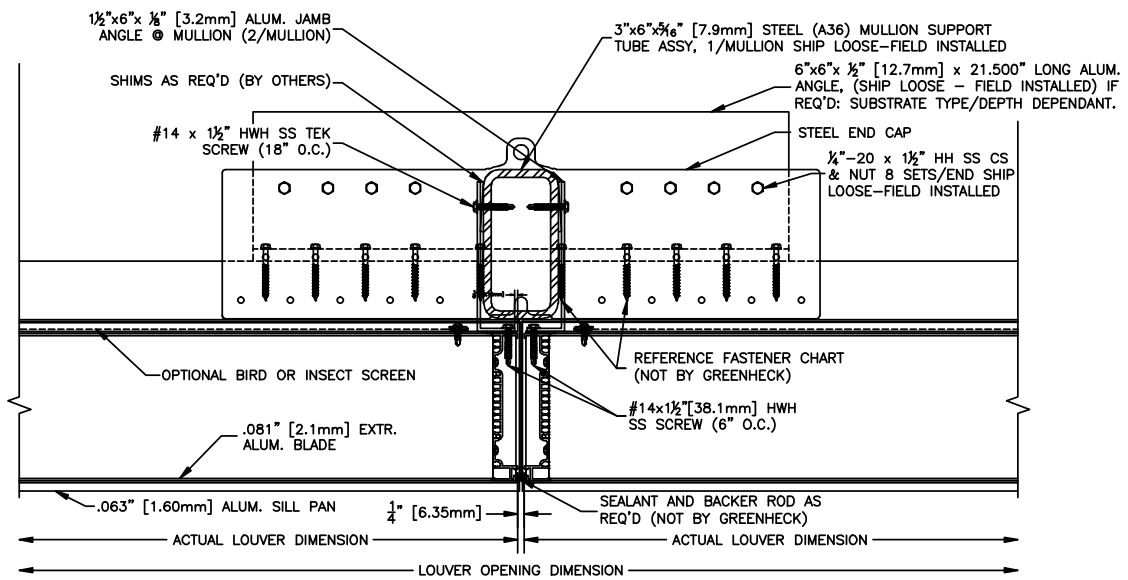
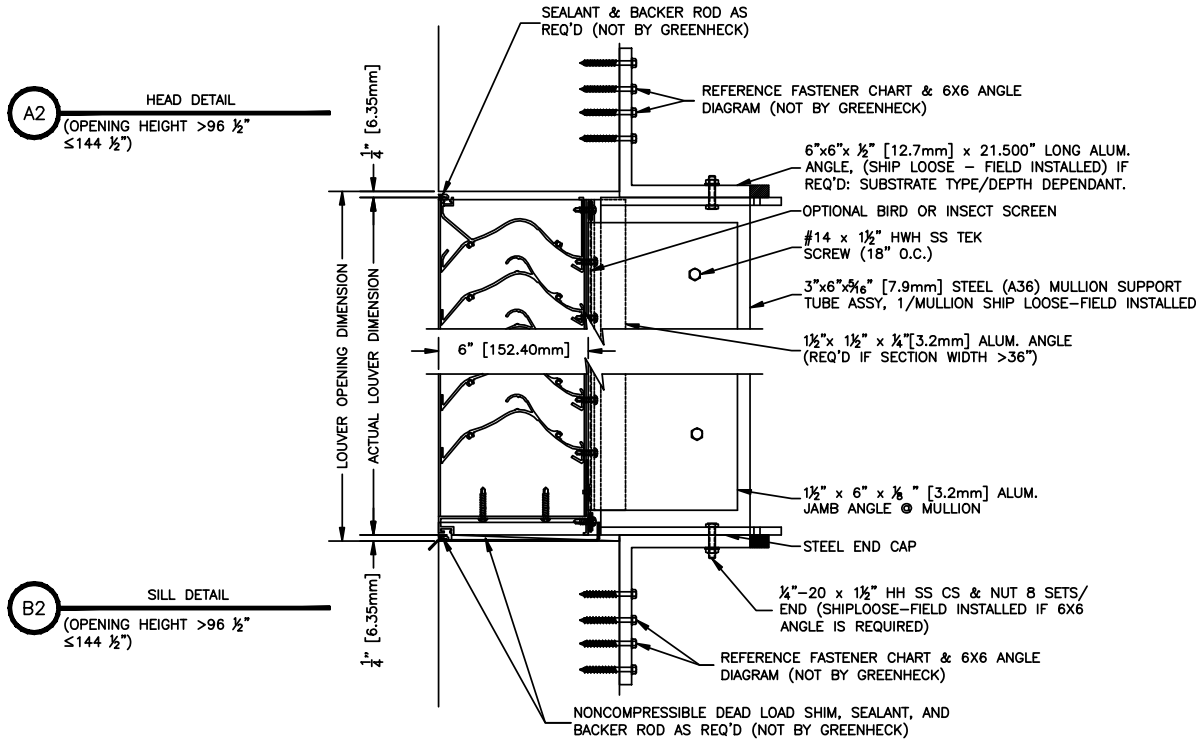
Florida Product Approval No: FL10088

Multiple Sections

Miami-Dade NOA No.: 10-0921.10

Height > 96 1/2" ≤ 144 1/2"

Maximum Wind-load: 150 PSF



C2 MULLION DETAIL
(OPENING HEIGHT >96 1/2" ≤144 1/2")

Installation Instructions

EHH-601D

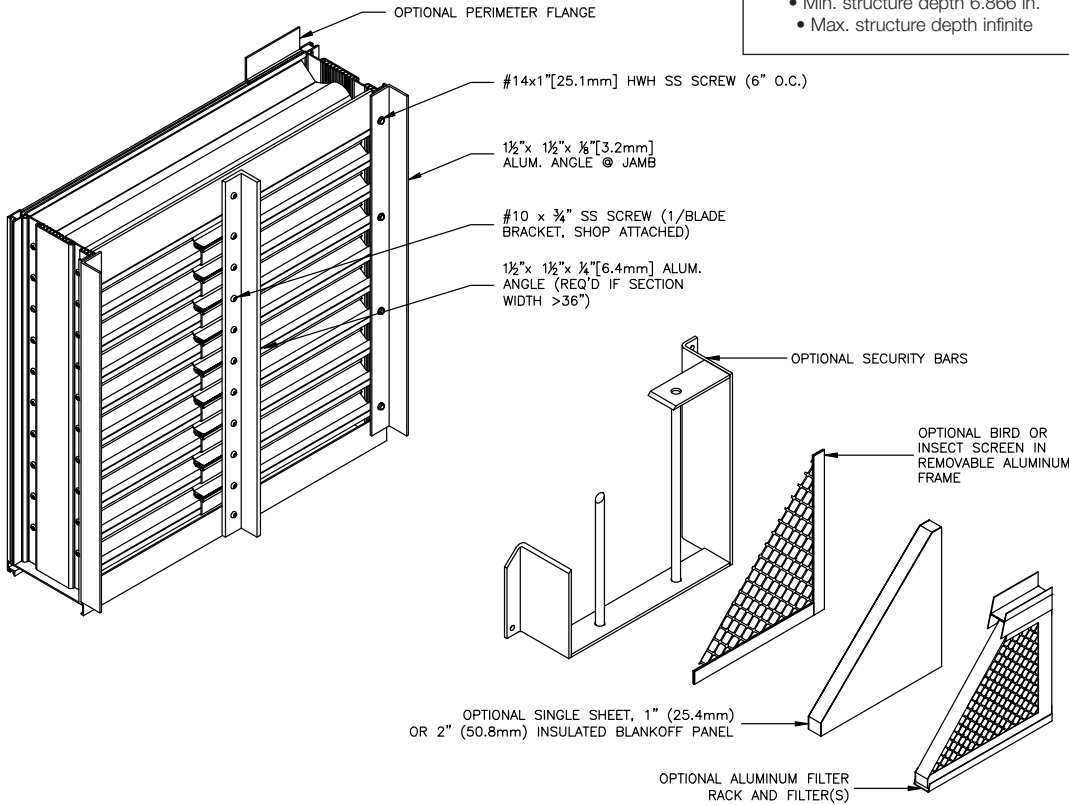
Channel Installation Single Section

Florida Product Approval No: FL10088
Miami-Dade NOA No.: 10-0921.10
Maximum Wind-load: 150 PSF

Structure Depth

- CMU / Concrete Substrate**
- Min. structure depth 6.866 in.
 - Max. structure depth infinite

- Steel Stud / Structural Steel Substrate**
- Min. structure depth 5.866 in.
 - Max. structure depth infinite



FASTENER SCHEDULE (FIELD INSTALLED - NOT BY GREENHECK)

CONCRETE	CMU	STEEL	MIN.	FASTENER TYPE	DIAMETER	# RQD.	CENTERS	EDGE	EMBED.*	CENTER
JAMB PERIMETER ANGLE FASTENER										
X			2KSI	SCOTS TAPCON / TAPCON	1/4	VARIES	4.750	1.500	1.750	
X			4KSI	SCOTS TAPCON / TAPCON	1/4	VARIES	6.000	1.500	1.750	
	X		1.5KSI	SCOTS TAPCON / TAPCON	1/4	VARIES	3.000	1.500	1.750	
		X	65KSI Fy	BOLT/NUT OR TAPPING SCREW	1/4	VARIES	6.000	0.500	0.125	
MULLION END PLATE FASTENER, HEIGHT <=144										
X			2KSI	SCOTS TAPCON / TAPCON	1/4	9/END	2.000	1.500	1.625	
X			4KSI	SCOTS TAPCON / TAPCON	1/4	8/END	2.000	1.500	1.625	
		X	65KSI Fy	BOLT/NUT OR TAPPING SCREW	1/4	8/END	1.000	0.500	0.125	
MULLION ANGLE MOUNT FASTENER, HEIGHT <=144										
X			2KSI	SCOTS TAPCON / TAPCON	1/4	32/ANG.	2.000	1.500	1.750	3.375
X			4KSI	SCOTS TAPCON / TAPCON	1/4	27/ANG.	2.000	1.500	1.750	3.375
	X		1.5KSI	SCOTS TAPCON / TAPCON	1/4	32/ANG.	2.000	1.500	1.750	3.375
		X	65KSI Fy	BOLT/NUT OR TAPPING SCREW	1/4	16/ANG.	1.000	0.500	0.125	3.000
		X	65KSI Fy	BOLT/NUT OR TAPPING SCREW	1/4	11/ANG.	1.000	0.500	0.188	3.000
		X	65KSI Fy	BOLT/NUT OR TAPPING SCREW	1/4	16/ANG.	1.000	0.500	0.188	3.766
MULLION END PLATE FASTENER, HEIGHT <=96										
X			2KSI	SCOTS TAPCON / TAPCON	1/4	6/CAP	2.000	1.500	1.750	
X			4KSI	SCOTS TAPCON / TAPCON	1/4	6/CAP	2.000	1.500	1.750	
		X	65KSI Fy	BOLT/NUT OR TAPPING SCREW	1/4	3/CAP	1.000	0.500	0.125	
MULLION ANGLE MOUNT FASTENER, HEIGHT <=96										
X			2KSI	SCOTS TAPCON / TAPCON	1/4	11/ANG.	2.000	1.500	1.750	3.375
X			4KSI	SCOTS TAPCON / TAPCON	1/4	9/ANG.	2.000	1.500	1.750	3.375
	X		1.5KSI	SCOTS TAPCON / TAPCON	1/4	11/ANG.	2.000	1.500	1.750	3.375
		X	65KSI Fy	BOLT/NUT OR TAPPING SCREW	1/4	7/ANG.	1.000	0.500	0.125	3.766
		X	65KSI Fy	BOLT/NUT OR TAPPING SCREW	1/4	6/ANG.	1.000	0.500	0.125	3.000

* EMBEDMENT DEPTH IS EQUAL TO OVERALL FASTENER LENGTH FOR CONCRETE/CMU FASTENERS. IF SHIMS ARE USED, FASTENER LENGTH MUST BE INCREASED BY THICKNESS OF SHIMS.
• REFERENCE SUBSTRATE DEPTH CHART TO DETERMINE IF MULLION ANGLE IS REQUIRED.

Installation Instructions

EHH-601D

Channel Installation

Multiple Sections

Height $\leq 96 \frac{1}{2}$

Florida Product Approval No: FL10088

Miami-Dade NOA No.: 10-0921.10

Maximum Wind-load: 150 PSF

Structure Depth

CMU Substrate

- Min. structure depth 6.866 in.
- Max. structure depth 12.275 in.

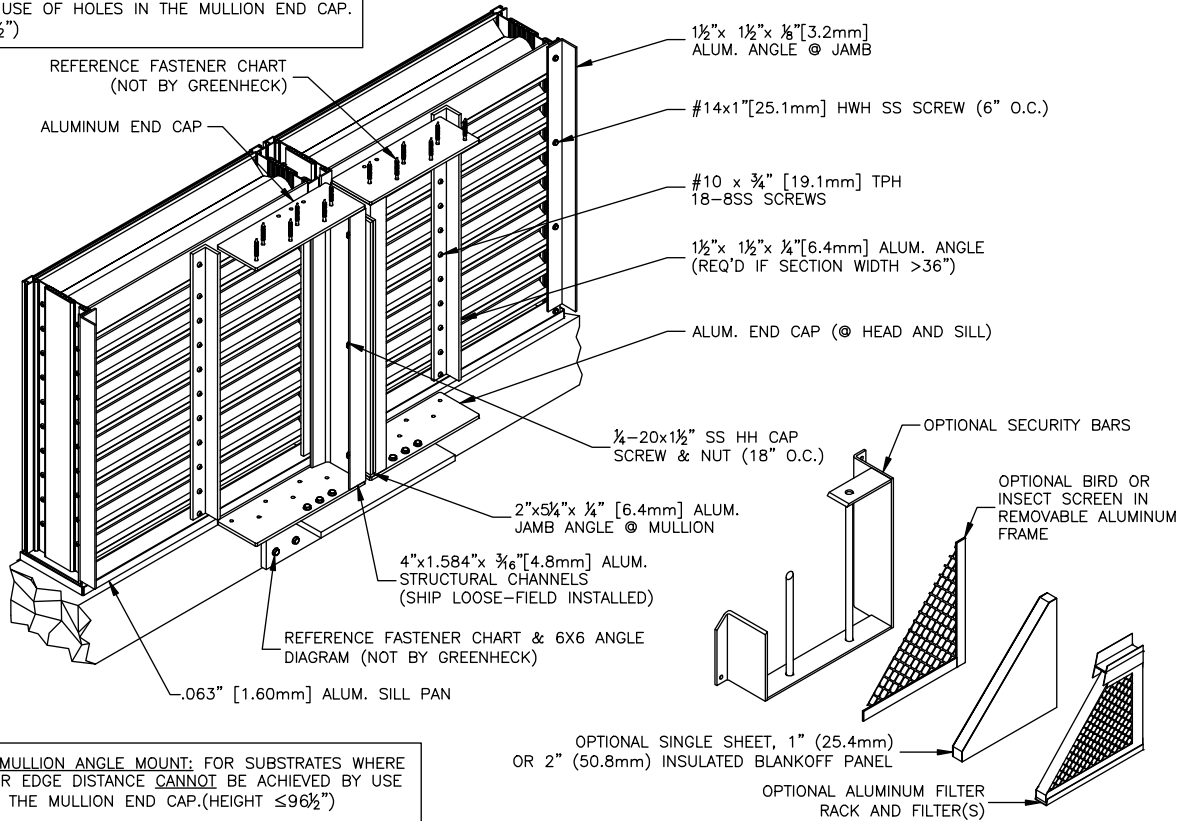
Concrete Substrate

- Min. structure depth 6.866 in.
- Max. structure depth infinite

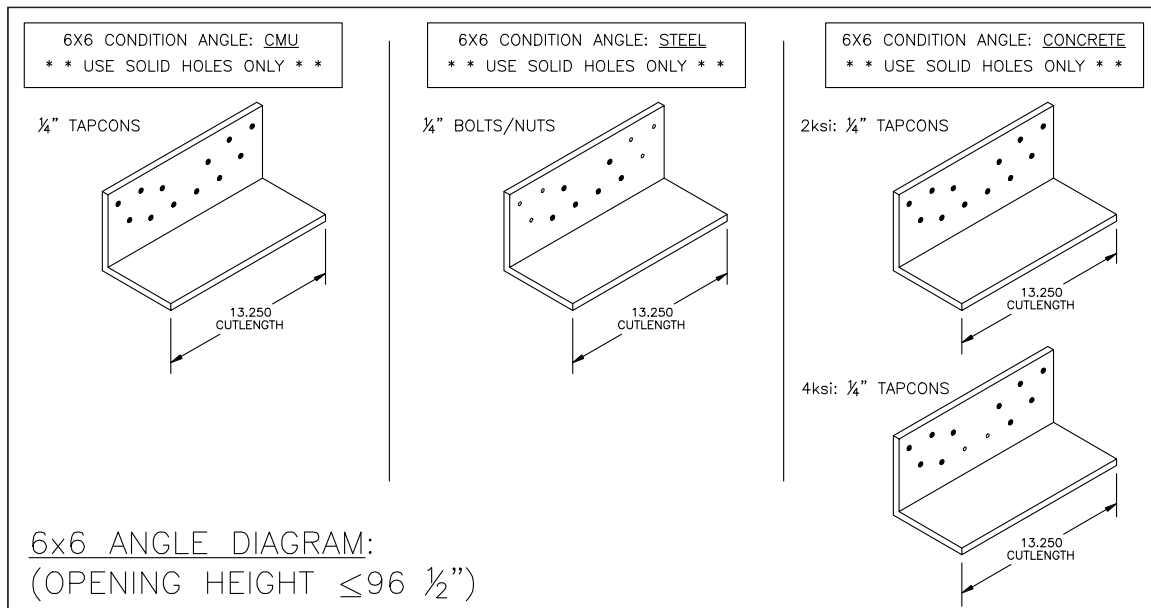
Steel Stud / Structural Steel Substrate

- Min. structure depth 5.866 in.
- Max. structure depth infinite

HEAD DETAIL: MULLION DIRECT MOUNT; FOR SUBSTRATES WHERE MINIMUM FASTENER EDGE DISTANCE CAN BE ACHIEVED BY USE OF HOLES IN THE MULLION END CAP. (HEIGHT $\leq 96 \frac{1}{2}$)



SILL DETAIL: MULLION ANGLE MOUNT; FOR SUBSTRATES WHERE MIN. FASTENER EDGE DISTANCE CANNOT BE ACHIEVED BY USE OF HOLES IN THE MULLION END CAP. (HEIGHT $\leq 96 \frac{1}{2}$)



Installation Instructions

EHH-601D

Channel Installation

Florida Product Approval No: FL10088

Multiple Sections

Miami-Dade NOA No.: 10-0921.10

Height > 96 1/2" ≤ 144 1/2"

Maximum Wind-load: 150 PSF

Structure Depth

CMU Substrate

- Min. structure depth 6.866 in.
- Max. structure depth 15.000 in.

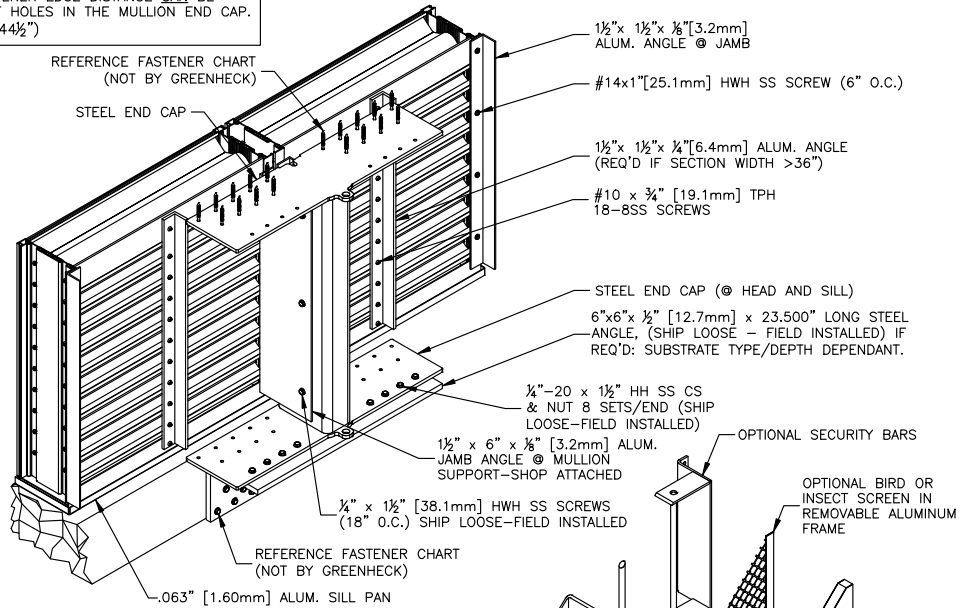
Concrete Substrate

- Min. structure depth 6.866 in.
- Max. structure depth infinite

Steel Stud / Structural Steel Substrate

- Min. structure depth 5.866 in.
- Max. structure depth infinite

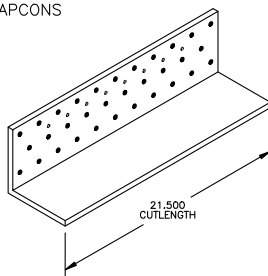
HEAD DETAIL: MULLION DIRECT MOUNT: FOR SUBSTRATES WHERE MINIMUM FASTENER EDGE DISTANCE CAN BE ACHIEVED BY USE OF HOLES IN THE MULLION END CAP. (HEIGHT >96 1/2" & ≤144 1/2")



SILL DETAIL: MULLION ANGLE MOUNT: FOR SUBSTRATES WHERE MIN. FASTENER EDGE DISTANCE CANNOT BE ACHIEVED BY USE OF HOLES IN THE MULLION END CAP. (HT >96 1/2" & ≤144 1/2")

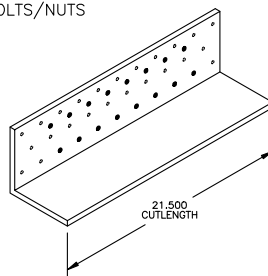
6X6 CONDITION ANGLE: CMU
** USE SOLID HOLES ONLY **

1/4" TAPCONS



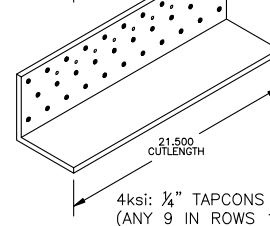
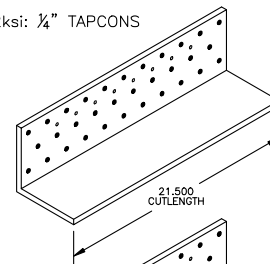
6X6 CONDITION ANGLE: STEEL
** USE SOLID HOLES ONLY **

1/4" BOLTS/NUTS



6X6 CONDITION ANGLE: CONCRETE
** USE SOLID HOLES ONLY **

2ksi: 1/4" TAPCONS



6x6 ANGLE DIAGRAM:

(OPENING HEIGHT >96 1/2" & ≤144 1/2")



EHH-601D Channel Installation with Damper IOM
June 2011, Rev. 1
Copyright © 2011 Greenheck Fan Corporation