

Installation Instructions Supplement

Refer to:
'Installation Instructions for FSD-XXX, DFD-XXX, SSFSD-XXX & CFSD-XXX Series Fire & Combination Fire Smoke Dampers' (Part #461336)
or
'Installation Instructions for SMD-XXX, SESMD-XXX, SSSMD-XXX and SMDR-XXX and SSSMDR-XXX Series Smoke Dampers' (Part #461338) for additional details.

Multi-blade DFD Series
1½ Hour Fire Dampers and
FSD Series
1½ Hour Combination Fire Smoke Dampers
SMD Series
Smoke Dampers



Greenheck Test Switches (GTS-1, GTS-3, and GTS-4) are used in dynamic smoke management systems containing Combination Fire Smoke, Smoke, or Fire Dampers.

GTS-1

The GTS-1 can be used with combination fire smoke dampers equipped with Greenheck's TOR option. It has a red indicator light to show that the damper is in the closed position and green indicator light to show that the damper is in the open position. The GTS-1 also has a three position control switch with the following options:

- **Normal** position - power is routed to the actuator through the primary, low-temperature, thermostat
- **Closed** position - power is cut to the actuator closing the damper
- **Override** position - power is routed to the actuator through the secondary, high - temperature, thermostat. This position is used to reopen the damper for smoke control purposes after the damper's primary thermostat has tripped and closed the damper. The damper will close when the secondary thermostat's temperature is reached, when a smoke detector senses smoke or when power is cut by a smoke or building management system.

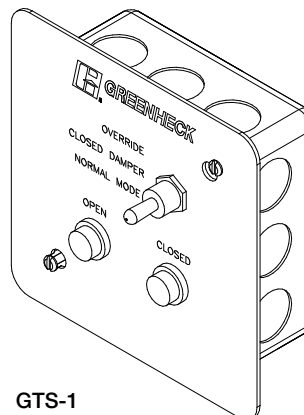
GTS-3

The GTS-3 can be used with combination fire smoke dampers equipped with Greenheck's RRL/OCI option or with smoke dampers equipped with Greenheck's OCI option. The GTS-3 has the same red indicator light to show that the damper is in the closed position and green indicator light to show that the damper is in the open position as the GTS-1. It also has a push-button momentary switch that can be pushed and held in place to cut power to the actuator and close the damper. When the button is released power flows back to the actuator and opens the damper.

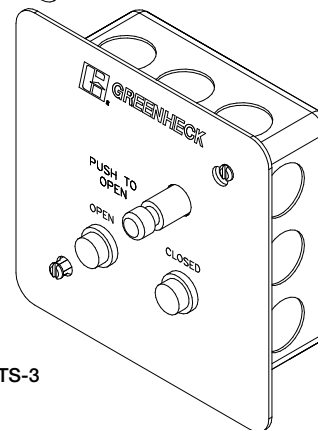
GTS-4

The GTS-4 can be used with combination fire smoke dampers equipped with Greenheck's RRL/OCI option or with smoke dampers or multi-blade fire dampers built with Greenheck's OCI option. The GTS-4 has the same red indicator light to show the damper is in the closed position and green indicator light to show that the damper is in the open position as the GTS-1.

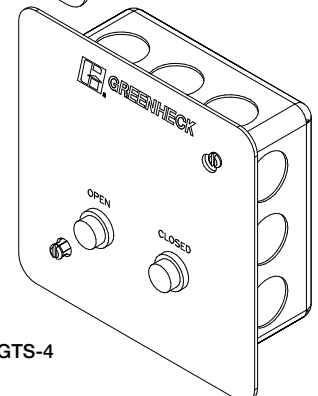
"UL CLASSIFIED
(see complete marking on product)"
"UL CLASSIFIED to Canadian safety standards
(see complete marking on product)"
Standards UL 555 & 555S
Classifications Filed at UL under Listing #R13317



GTS-1



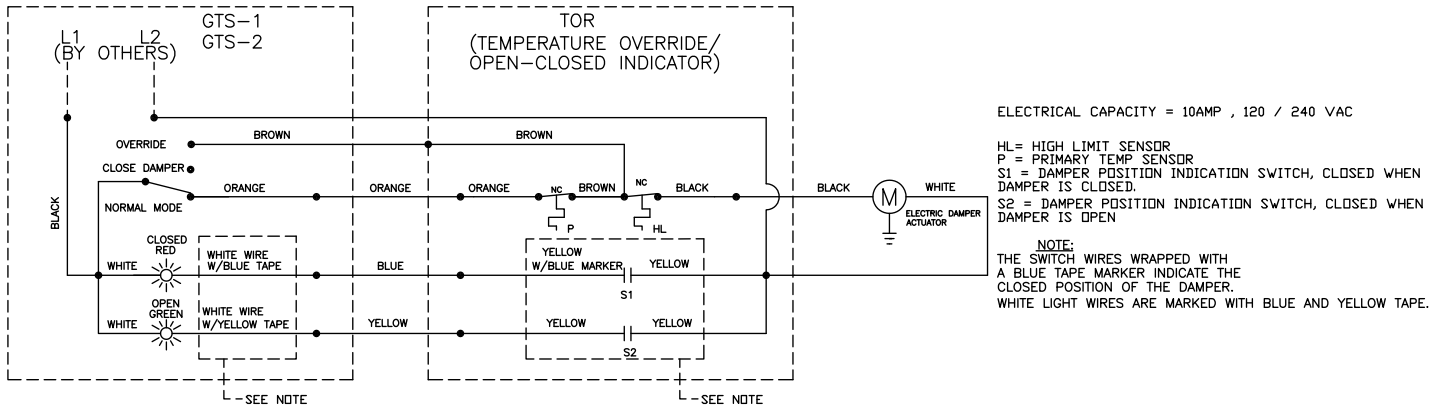
GTS-3



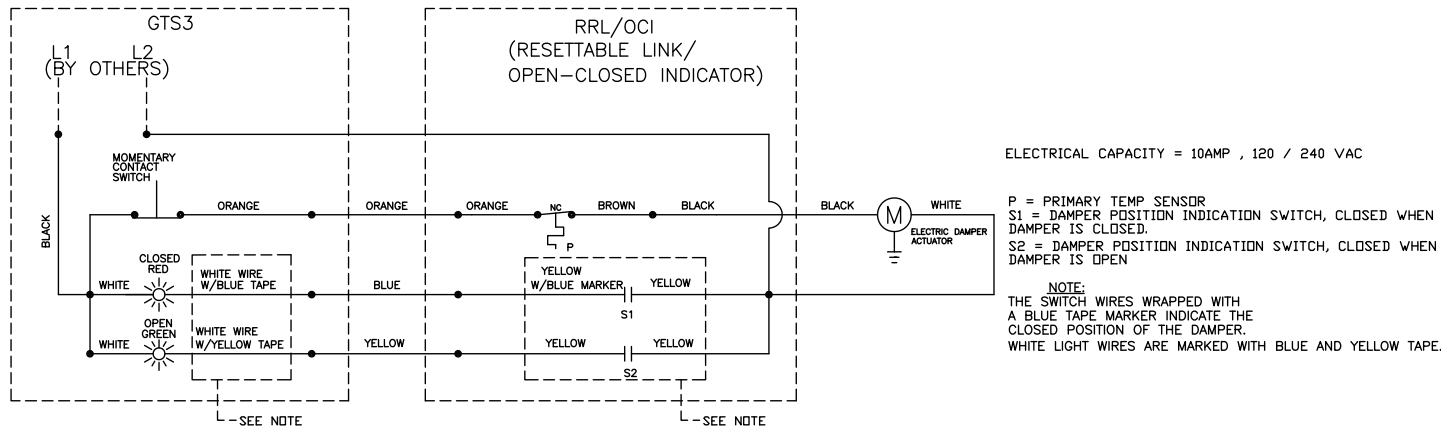
GTS-4

Wiring Diagrams

GTS-1



GTS-3



GTS-4

