

### Assembly and Installation Instructions

Please read and save these instructions for future reference. Read carefully before attempting to assemble, install, operate or maintain the product described. Protect yourself and others by observing all safety information. Failure to comply with instructions could result in personal injury and/or property damage! Upon receiving the product, check for any damage that may have occurred during transit and report it immediately to the shipper. Also verify that all accessory items are accounted for.

## STEP 1: Unpack and Inspect Parts

<b>ERVe</b>					
Part Description	Quantity	ERVe-20	ERVe-35	ERVe-45	ERVe-55
		Part #	Part #	Part #	Part #
<b>Roof Curb Kit</b>	<b>1</b>	<b>852868</b>	<b>852869</b>	<b>852870</b>	<b>852871</b>
1. End Channel	2	726994	727034	725254	727056
2. Side Channel	2	726995	727035	725255	727057
3. Center Channel	1	726996	727036	725256	727058
4. End Support	1	726997	727037	725257	727059
5. Insulation Pan	2	726998	727038	725258	727060
6. Duct Adaptor	1	726999	727039	725259	727061
<b>Hardware Kit</b>	<b>1</b>	<b>852902</b>	<b>852902</b>	<b>852902</b>	<b>852902</b>
Screws, SMS (A) 12 x 0.625 (IHH)	36	415180	415180	415180	415180
<b>PVe</b>					
Part Description	Quantity	PVe-20	PVe-35	PVe-45	PVe-55
		Part #	Part #	Part #	Part #
<b>Roof Curb Kit</b>	<b>1</b>	<b>852904</b>	<b>852905</b>	<b>852906</b>	<b>852907</b>
1. End Channel	2	729491	729499	729507	729515
2. Non-Access Side Channel	1	729492	729500	729508	729516
3. Access Side Channel	1	729493	729501	729509	729517
4. Middle Support	3	729494	729502	729510	729518
5. Supply Side Support	1	729495	729503	729511	729519
6. Insulation Pan	2	729496	729504	729512	729520
7. Duct Adaptor, Supply Discharge	1	729497	729505	729513	729521
8. Duct Adaptor, Exhaust Intake	1	729498	729506	729514	729522
<b>Hardware Kit</b>	<b>1</b>	<b>852902</b>	<b>852902</b>	<b>852902</b>	<b>852902</b>
Screws, SMS (A) 12 x 0.625 (IHH)	36	415180	415180	415180	415180

## Tools Recommended for Assembly

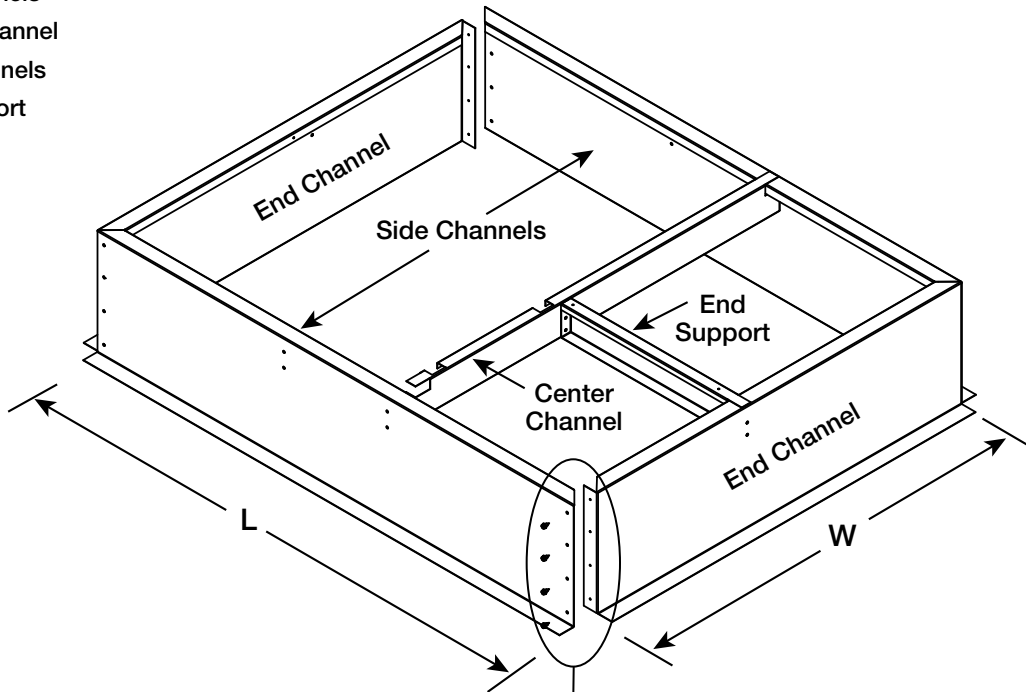
- Cordless drill
- 5/16 in. Nut setter
- Awl – for hole alignment

**STEP 2: Assemble Main Curb for Model ERVe**

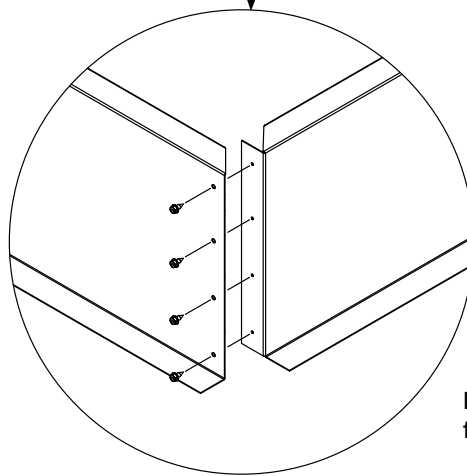
- Instructions:**
- See **ERVe Main Curb Assembly** for positioning of the correct hardware.
  - Align the holes and fasten as shown below.

**ERVe Hardware Required:**

- (24) Screws, SMS (A) 12 x 0.625 (IHH)
- (2) End Channels
- (1) Center Channel
- (2) Side Channels
- (1) End Support



**ERVe Main Curb Assembly**



End and side channels fasten together, as shown.

**Overall Curb Dimensions for Model ERVe**

	ERVe-20	ERVe-35	ERVe-45	ERVe-55
W	40.353	48.478	55.478	65.416
L	61.103	63.353	67.353	78.228

All dimensions shown are in inches.

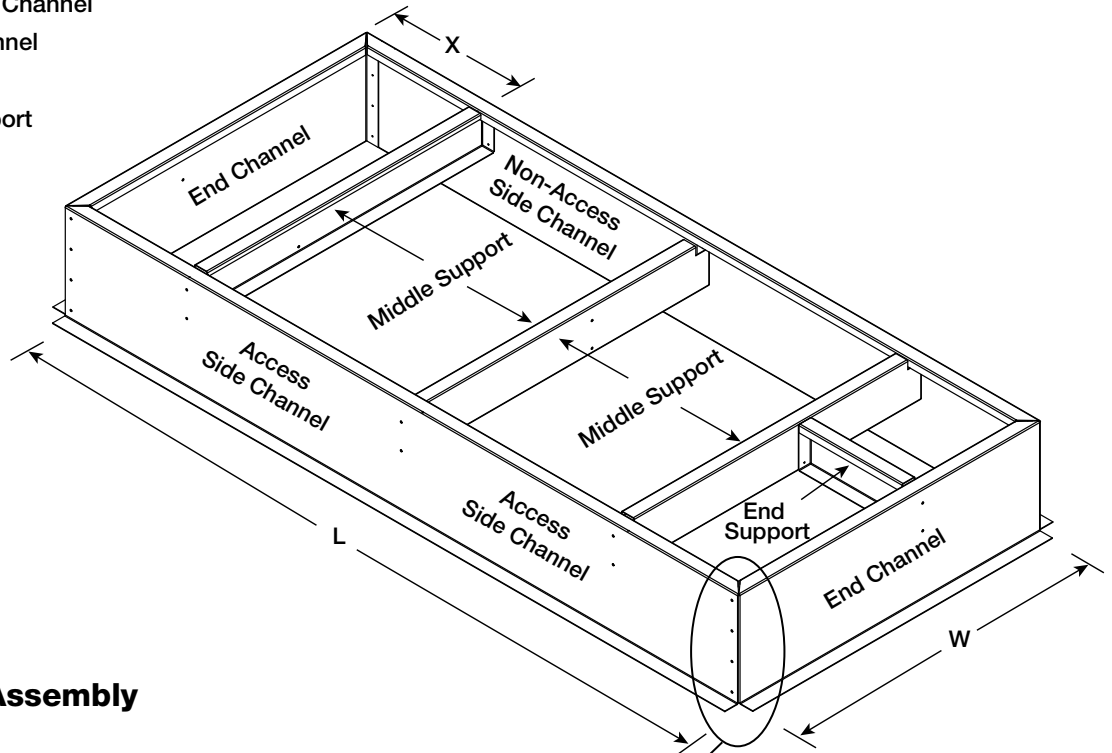


## STEP 2: Assemble Main Curb for Model PVe

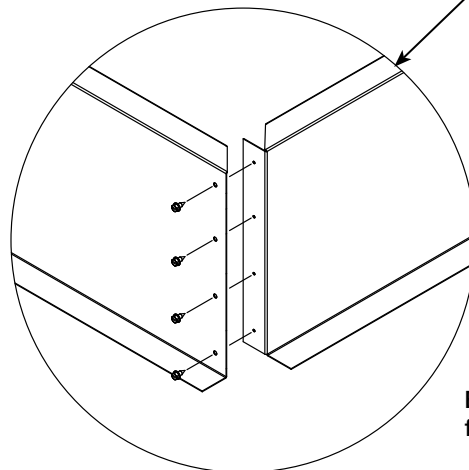
- Instructions:**
- See **PVe Main Curb Assembly** for positioning of the correct hardware.
  - Align the holes and fasten as shown below.

### PVe Hardware Required:

- (32) Screws, SMS (A) 12 x 0.625 (IHH)
- (2) End Channels
- (1) Non-Access Side Channel
- (1) Access Side Channel
- (3) Middle Support
- (1) Supply Side Support



### PVe Main Curb Assembly



End and side channels fasten together, as shown.

### Overall Curb Dimensions for Model PVe

	PVe-20	PVe-35	PVe-45	PVe-55
W	36.781	44.59	56.326	71.326
L	99.385	99.385	105.885	111.716
X	18.046	18.046	18.046	18.046

All dimensions shown are in inches.

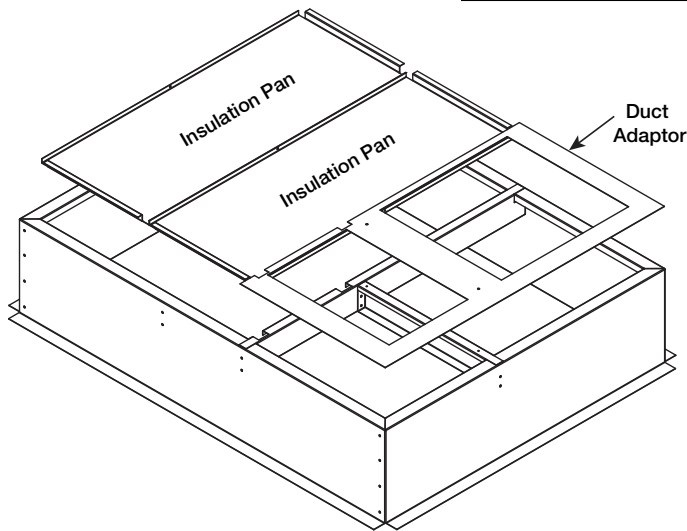
### STEP 3: Final Roof Curb Assembly for Model ERVe

#### ERVe Hardware Required:

- (4) Screws, SMS (A) 12 x 0.625 (IHH)
- (2) Insulation Pans
- (1) Duct Adaptor

#### NOTE

All curbs shipped for ERVe units will include a duct adaptor regardless of ducting arrangement.



### STEP 3: Final Roof Curb Assembly for Model PVe

#### PVe Hardware Required:

- (4) Screws, SMS (A) 12 x 0.625 (IHH)
- (2) Insulation Pan
- (1) Duct Adaptor, Supply Discharge
- (1) Duct Adaptor, Exhaust Intake

#### NOTE

All curbs shipped for PVe units will include a duct adaptor regardless of ducting arrangement.

