

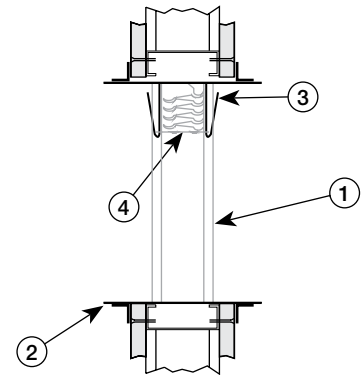
INSTALLATION INSTRUCTIONS

Replacing fusible link on a curtain fire damper:

- 1) Bend metal straps so they are straight (Fig. 1, item 3). Remove separated fusible link (Fig. 1, item 4).
- 2) Push bottom of curtain blades to the top of the damper such that the blades fold up like an accordion. (If the damper blades have coil springs, use additional care when pushing the blades to the top of the damper as the springs are strong and may cause injury if blades are released.)
- 3) Slide the replacement fusible link onto the metal straps.
- 4) Bend the metal straps up to hold the fusible link in place.

Replacing fusible link on a combination fire smoke damper:

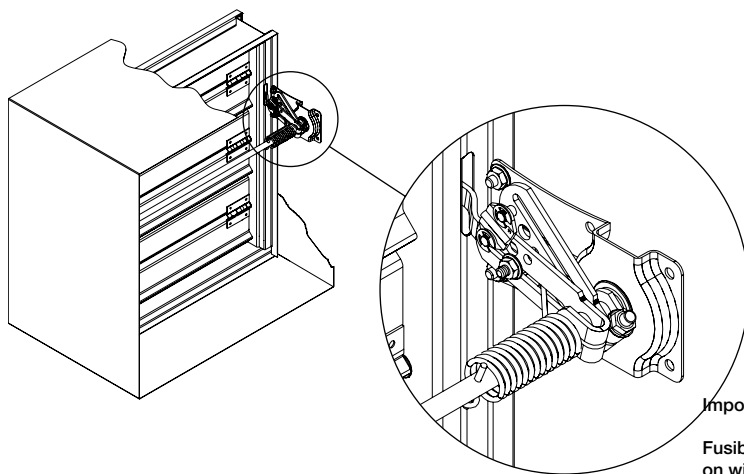
- 1) If fail closed, disconnect power and/or air pressure from damper. If fail open, apply power and/or air pressure to damper. Damper should be in the full closed position.
- 2) Remove and discard the existing retaining clips (Fig.2, item 1) and fusible link (Fig.2, item 2).
- 3) Install replacement fusible link as shown in the diagram (temperature rating facing outward). The crankarm secured with a bolt may require some minor rotation to align link with pins.
- 4) Install retaining clips in the groove of each of the pins holding the fusible link.
- 5) Reconnect power.



Side cross-section view of
Curtain Fire Damper in wall

Fig.1

Item #	Description
1	Damper
2	Sleeve
3	Metal strap
4	Fusible link

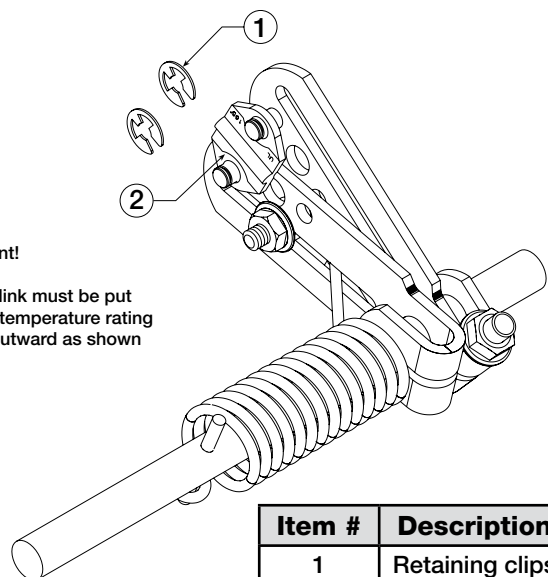


Important!

Fusible link must be put on with temperature rating facing outward as shown

Note: When replacing fusible link, make sure it is the same temperature. If a different temperature, consult factory.

Fig. 2



Item #	Description
1	Retaining clips
2	Fusible link