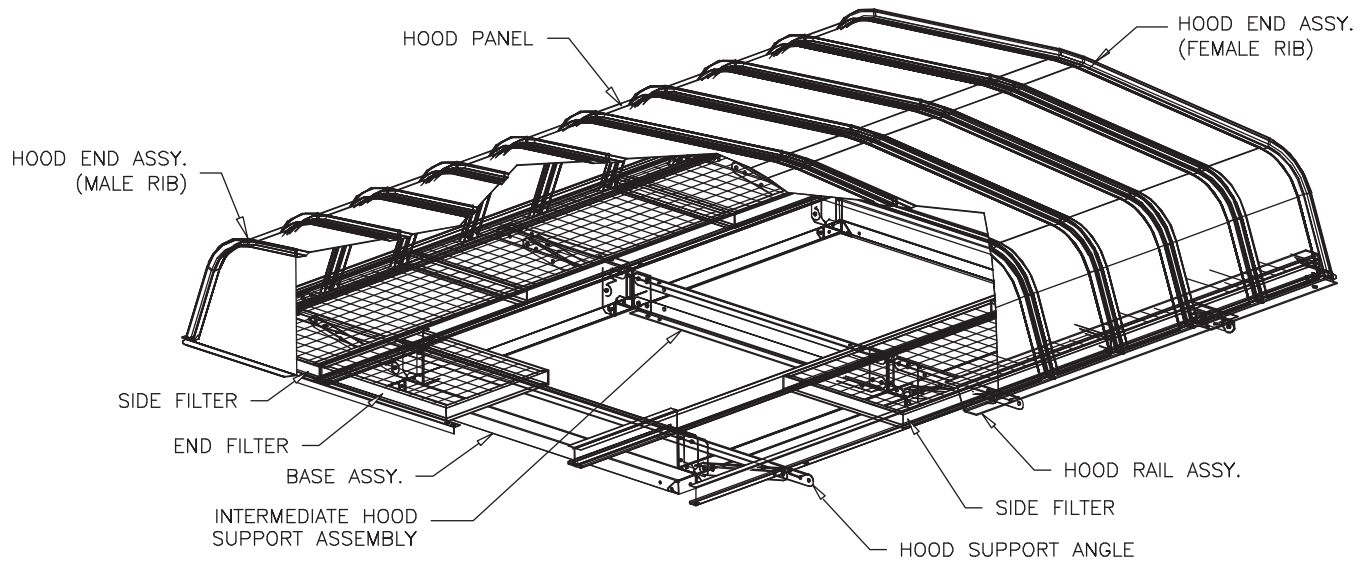


## Assembly Instructions



### STEP 1

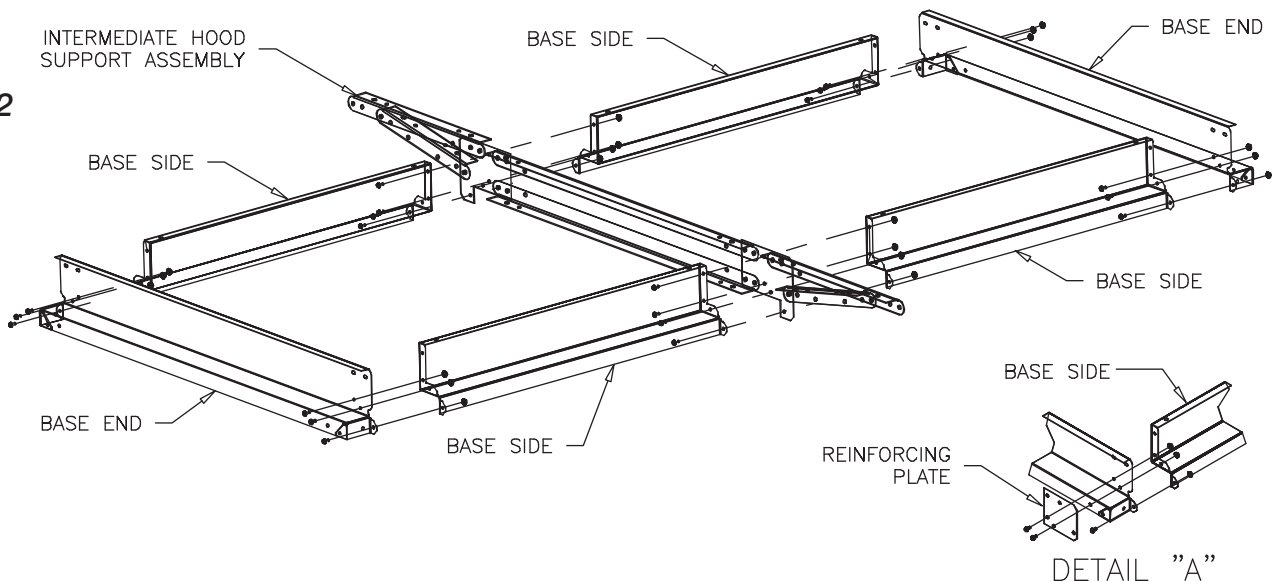
Open the shipping crates and separate the parts according to the size of the unit. (See Figure No. 1 on attached "PARTS LIST")

### STEP 2

Place the two BASE ENDS, BASE SIDES and INTERMEDIATE HOOD SUPPORT ASSEMBLY in their approximate relationship to each other. (See Figure 2) Fasten together the BASE ENDS to the BASE SIDES using three (3) ¼-20 fasteners per corner for 5 inch high base and four (4) ¼-20 fasteners per corner for 12 inch high base. **Note: Fasteners should be hand tightened only until step 4.** On some units where the difference

between the hood width and throat width is greater than 32 inches, a REINFORCING PLATE is required in the corners of the BASE (See Figure 2, DETAIL "A") Now bolt the BASE SIDES to the INTERMEDIATE ASSEMBLY, using eight (8) ¼-20 fasteners per INTERMEDIATE ASSEMBLY for 5 inch base and ten (10) ¼-20 fasteners for 12 inch high base.

Figure 2

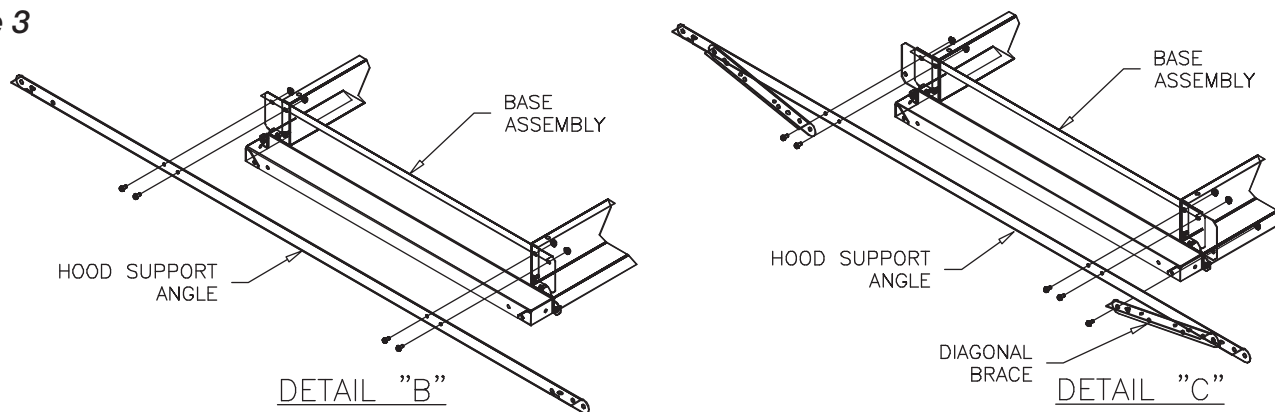


### STEP 3

Attach the HOOD SUPPORT ANGLE to the BASE ASSEMBLY, (hand tight) using four (4) 1/4-20 fasteners per angle. (See Figure 3, DETAIL "B") On some units two (2) DIAGONAL BRACES come pre-attached to

the HOOD SUPPORT ANGLE. Fasten the loose end of the DIAGONAL BRACES to the BASE ASSEMBLY using one (1) 3/8-16 FASTENER PER diagonal brace. (See Figure 3, DETAIL "C")

Figure 3



### STEP 4

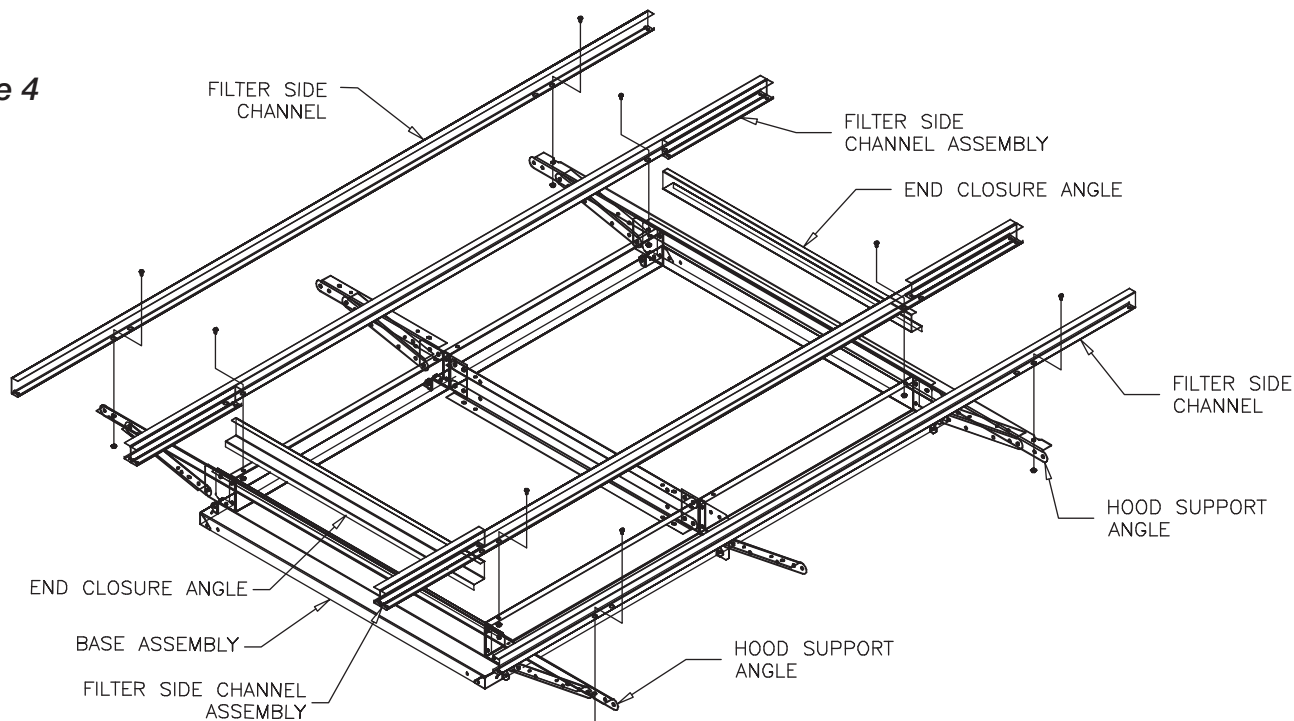
Tighten all BASE, SIDE and BASE END fasteners. Caulk all inside corners where the base sections come together. At this point, the base may be lifted onto the roof curb before proceeding with further assembly.

### STEP 5

Attach the FILTER SIDE CHANNEL (hand tight) to the HOOD SUPPORT ANGLE and the FILTER SIDE CHANNEL ASSEMBLY (hand tight) to the BASE SIDE using two (2) 5/16 X 1 inch weldstud fasteners per channel. (See Figure 4) Sandwich the END CLOSURE

ANGLE between the BASE END and the SIDE FILTER CHANNEL ASSEMBLY. (See Figure 4) Fasten END CLOSURE ANGLE down with 5/16 X 1 inch weldstuds at both ends.

Figure 4

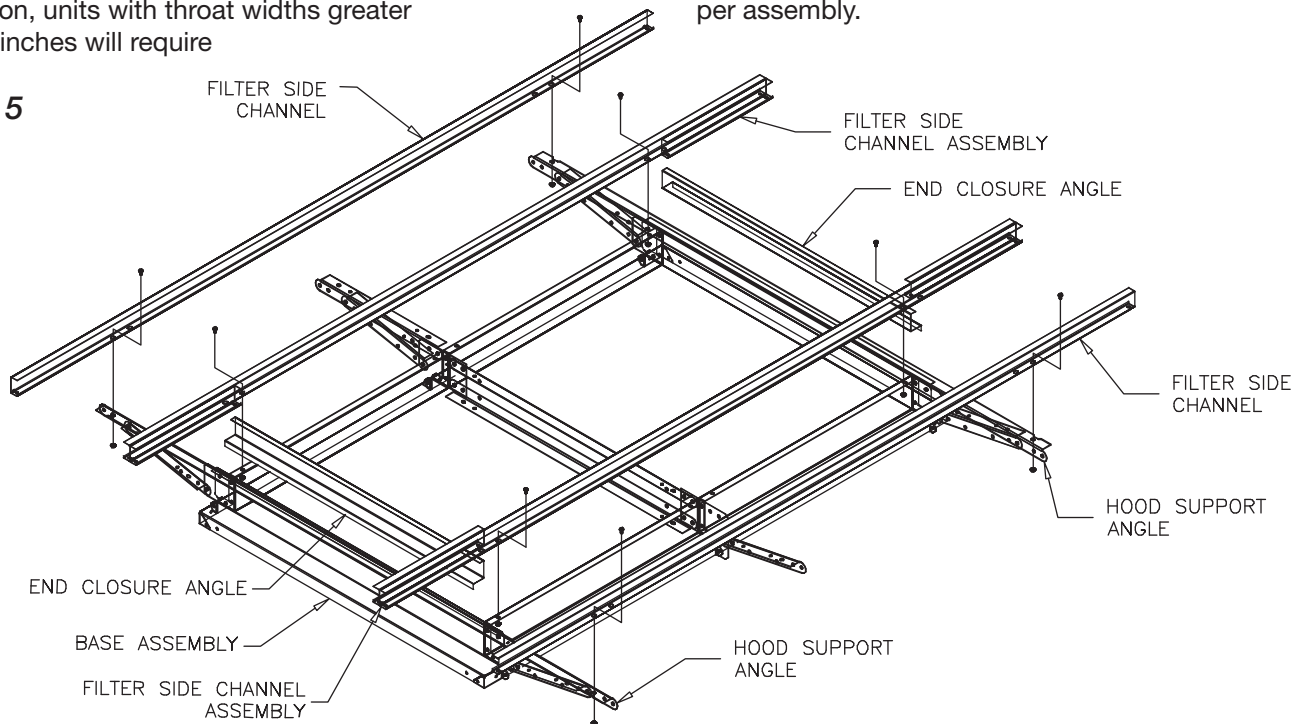


## STEP 6

Attach the END ANGLE (hand tight) to the ends of the SIDE FILTER CHANNEL ASSEMBLIES and SIDE CHANNELS, using four (4)  $\frac{5}{16}$  X 1 inch weldstud fasteners per END ANGLE. (See Figure 5) In addition, units with throat widths greater than 36 inches will require

FILTER END CHANNEL ASSEMBLIES. (See Figure 5, DETAIL "D") Fasten FILTER END CHANNEL ASSEMBLY (hand tight) to the END CLOSURE ANGLE and END ANGLE, using two  $\frac{5}{16}$  X 1 inch weldstud fasteners per assembly.

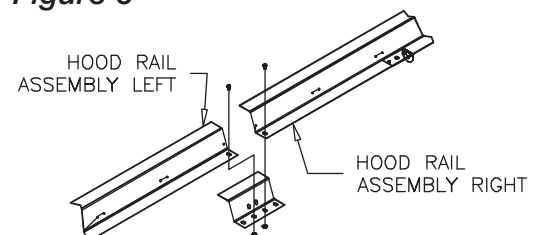
Figure 5



## STEP 7

Bolt together the HOOD RAIL ASSEMBLY LEFT to the HOOD RAIL ASSEMBLY RIGHT using two (2)  $\frac{5}{16}$  X 1 inch fasteners per HOOD RAIL ASSEMBLY. (See Figure 6)

Figure 6



## STEP 8

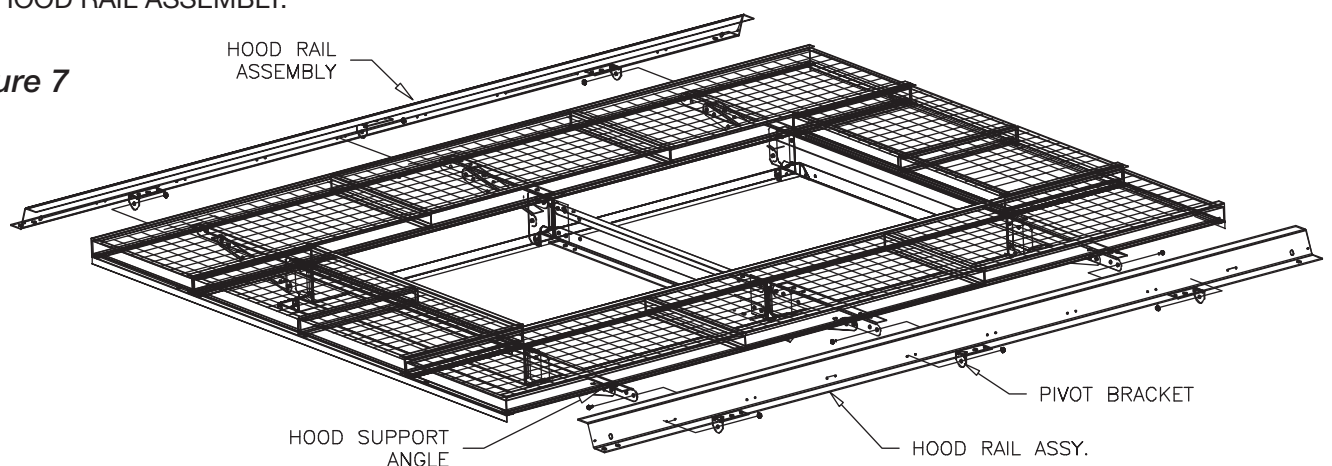
Slide FILTERS in from both ends of unit. Tighten all FILTER CHANNEL and END ANGLE fasteners only after FILTERS are in place.

## STEP 9

Attach the HOOD RAIL ASSEMBLY to the HOOD SUPPORT ANGLES, using two (2)  $\frac{3}{8}$  X  $\frac{3}{4}$  inch fasteners per HOOD RAIL ASSEMBLY.

(See Figure 7) **NOTE: Fasteners should be hand tightened only until step 11.**

Figure 7

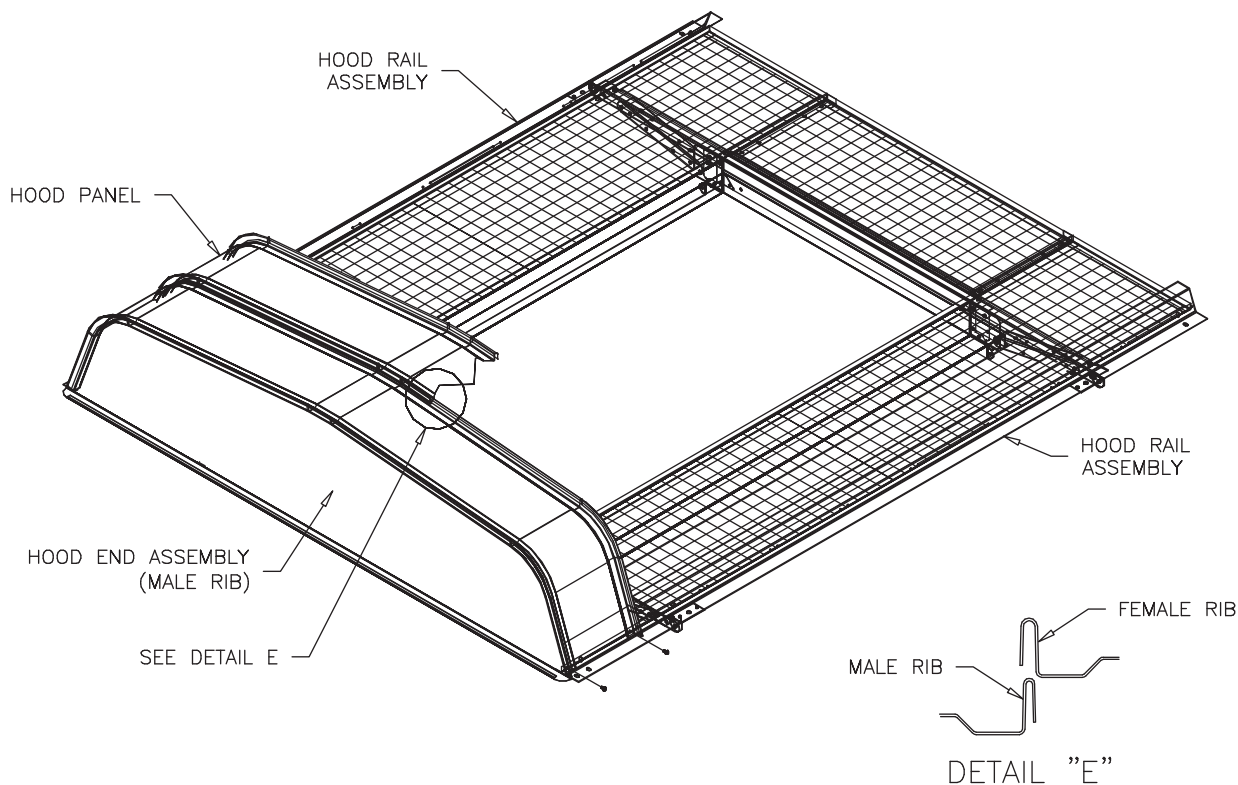


## STEP 10

Assemble HOOD PANELS to HOOD RAIL ASSEMBLY. The HOOD END ASSEMBLY with the MALE RIB is to be installed first. (See Figure 8 DETAIL "E") Place the remaining HOOD PANELS in place interlocking panels as you go. (See DETAIL "E") Secure each HOOD PANEL to the HOOD RAIL ASSEMBLY as it is put in place, using four (4) No. 12 X  $\frac{5}{8}$  inch sheet metal screws with sealing washers per HOOD PANEL. The HOOD END ASSEMBLY with the FEMALE RIB is to be installed last.

**NOTE: Hoods over 9 feet wide are supplied with special HOOD CLIPS.** (See DETAIL "F") HOOD PANELS have predrilled holes for HOOD CLIP installation. Install CLIPS as HOOD PANELS are being put in place, using one (1) No. 12 X  $\frac{5}{8}$  inch sheet metal screw with sealing washer per HOOD CLIP. To install CLIPS in the last panel, remove the END FILTERS to provide access to the underside of the hood. The END FILTERS can be easily replaced after the hood is completely assembled.

Figure 8



## STEP 11

Tighten all pivot bracket fasteners. **NOTE: There may be extra fasteners.**

