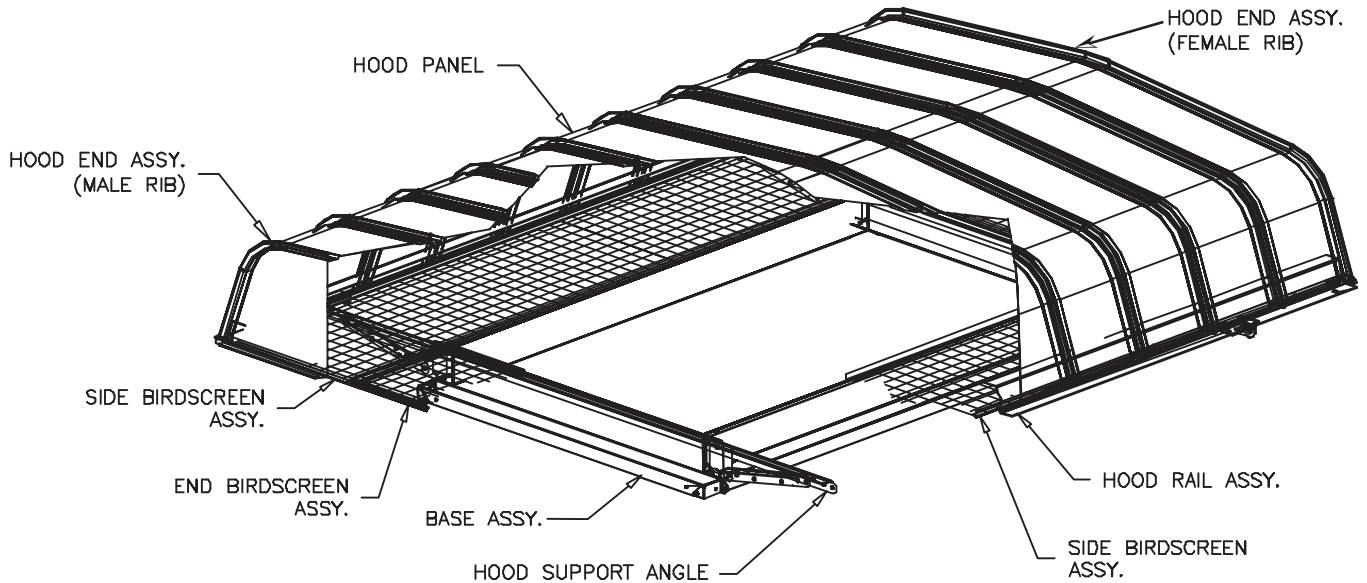


Assembly Instructions



STEP 1

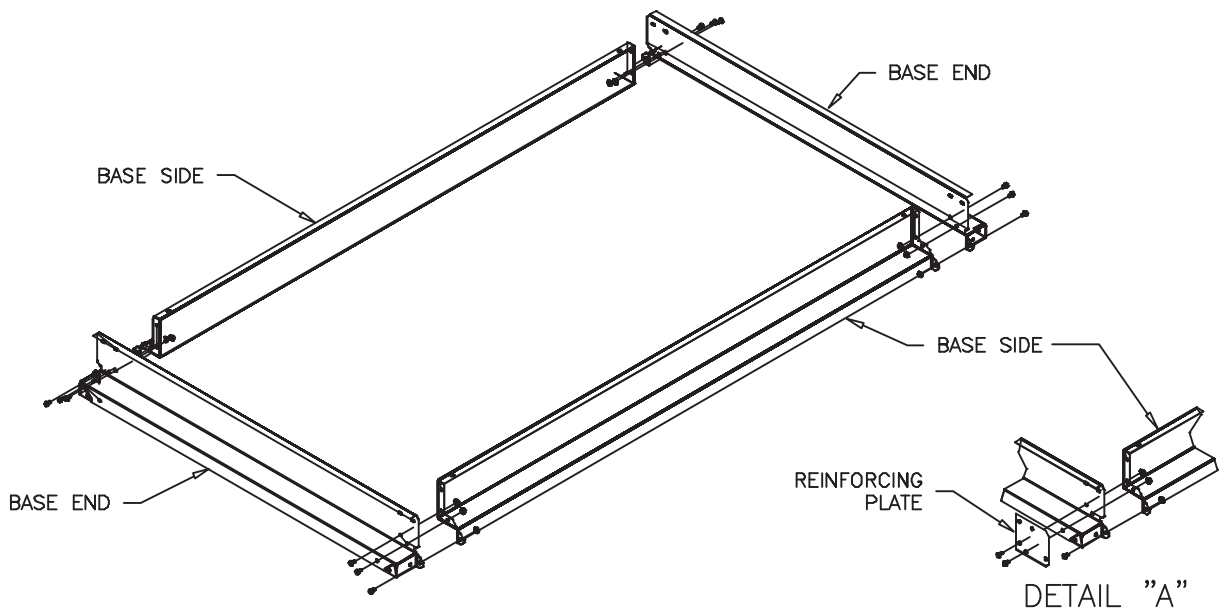
Open the shipping crates and separate the parts according to the size of the unit (See figure No.1 on attached "PARTS LIST")

STEP 2

Place the two BASE ENDS and the two BASE SIDES in their approximate relationship to each other. (See Figure 2) Fasten together using three (3) 1/4-20 fasteners per corner for 5 inch high base and four (4) 1/4-20 fasteners per corner for 12 inch high base.

Note: Fasteners should be hand tightened only until step 4. On some units where the difference between the hood width and throat width is greater than 32 inches, a REINFORCING PLATE is required in the corners of the BASE. (See Figure 2, DETAIL "A")

Figure 2

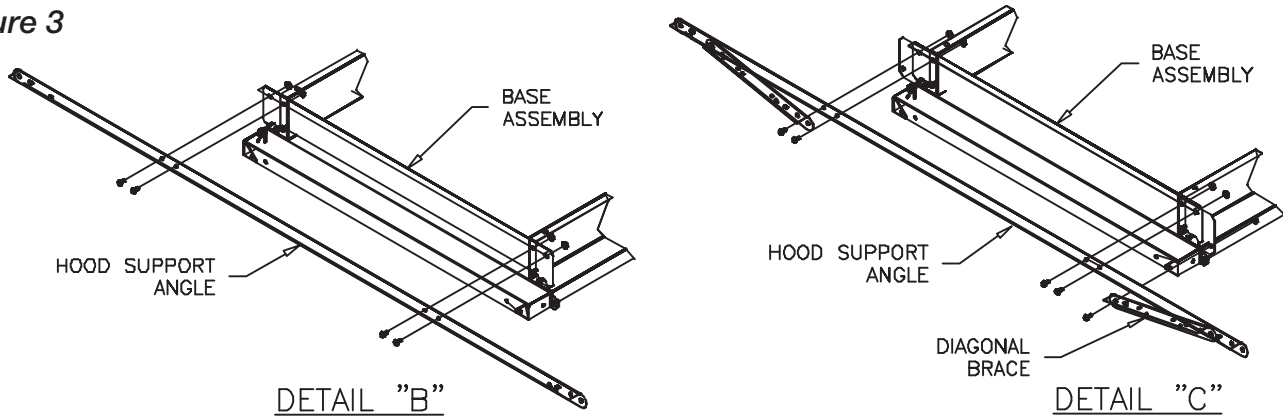


STEP 3

Attach the HOOD SUPPORT ANGLE to the BASE ASSEMBLY, using four (4) 1/4-20 fasteners per angle. (See Figure 3, DETAIL "B") On some units two (2) DIAGONAL BRACES come pre-attached to the

HOOD SUPPORT ANGLE. Fasten the loose end of the DIAGONAL BRACES to the BASE ASSEMBLY, using one (1) 1/4-20 FASTENER PER diagonal brace. (See Figure 3, DETAIL "C")

Figure 3



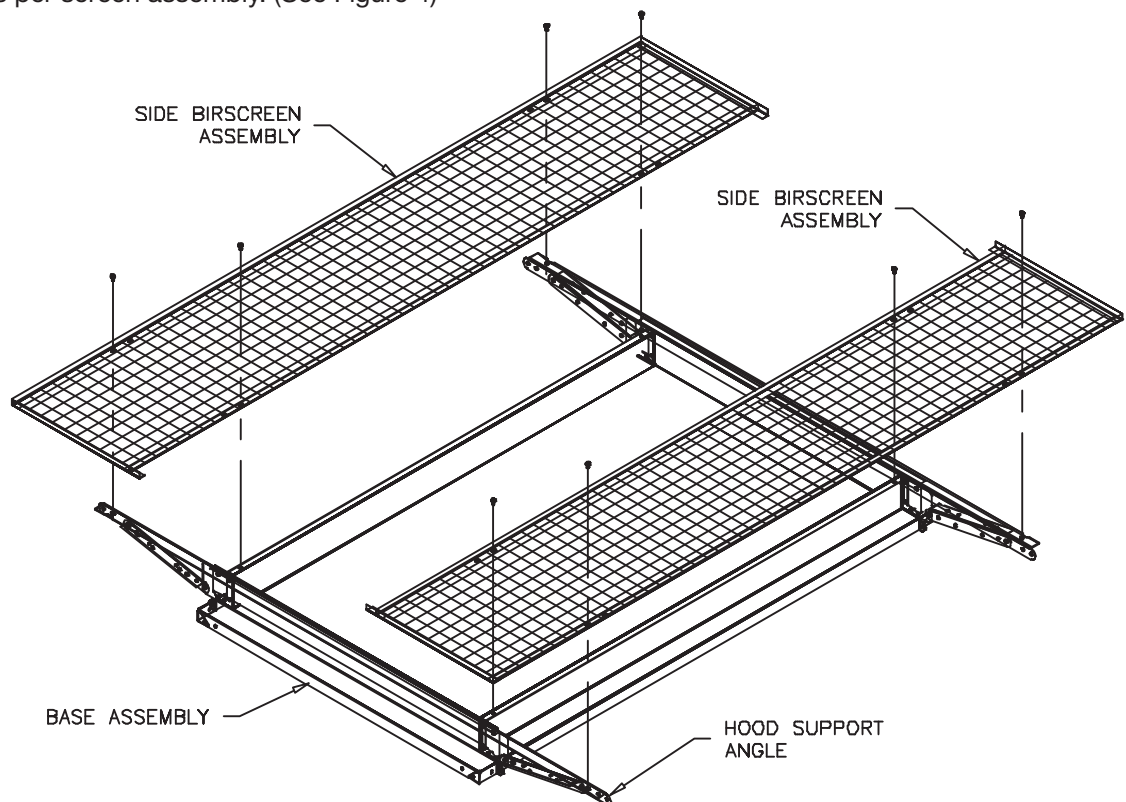
STEP 4

Tighten all fasteners. Caulk all inside corners where the base sections came together. At this point, the base may be lifted onto the roof curb before proceeding with further assembly.

STEP 5

Attach the SIDE BIRDSCREEN ASSEMBLY to the HOOD SUPPORT ANGLE and BASE ASSEMBLY, using four (4) 1/4-20 X 1" fasteners per screen assembly. (See Figure 4)

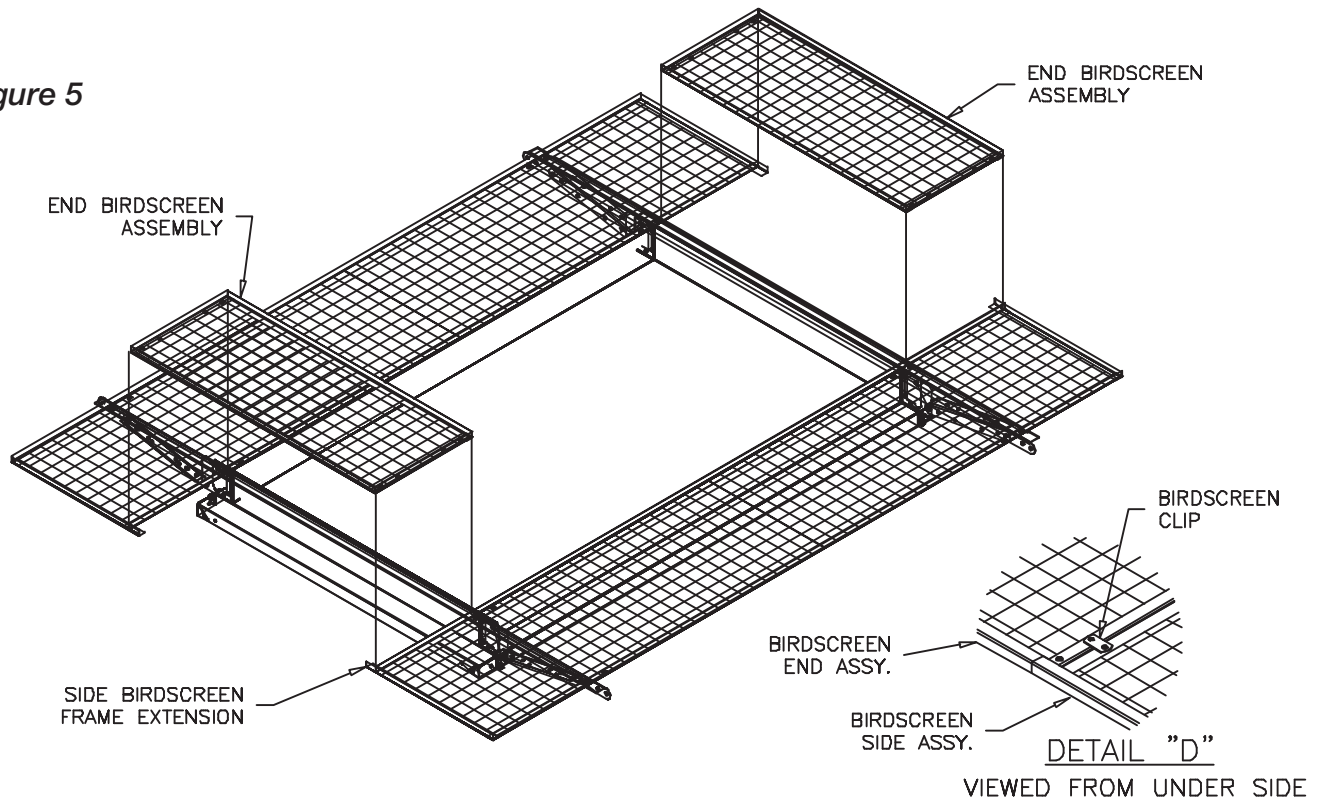
Figure 4



STEP 6

Install the END BIRDSCREEN ASSEMBLY. (See Figure 5)
Turn the BIRDSCREEN CLIPS (Which are pre-assembled to the END BIRDSCREEN ASSEMBLY) so that two (2) are under the SIDE BIRDSCREEN FRAME EXTENSION and the other two (2) are under the HOOD SUPPORT ANGLE, and tighten down. (See Figure 5, DETAIL "D")

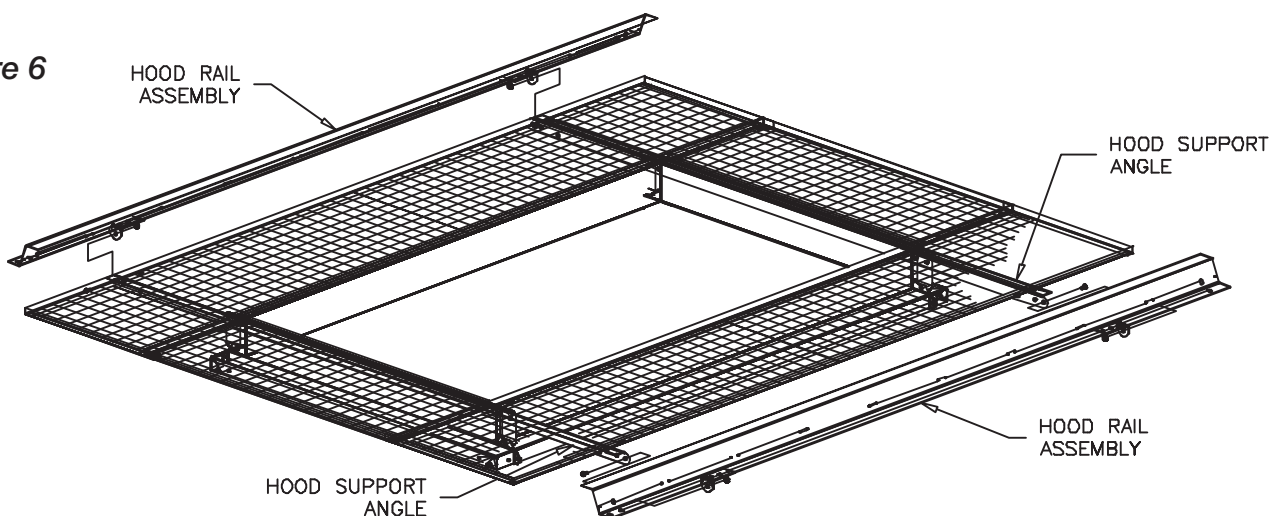
Figure 5



STEP 7

Attach the HOOD RAIL ASSEMBLY to the HOOD SUPPORT ANGLES, using two (2) $\frac{3}{8}$ x $\frac{1}{4}$ inch fasteners per HOOD RAIL ASSEMBLY. (See Figure 6) **NOTE:** Fasteners should be hand tightened only until step 8.

Figure 6

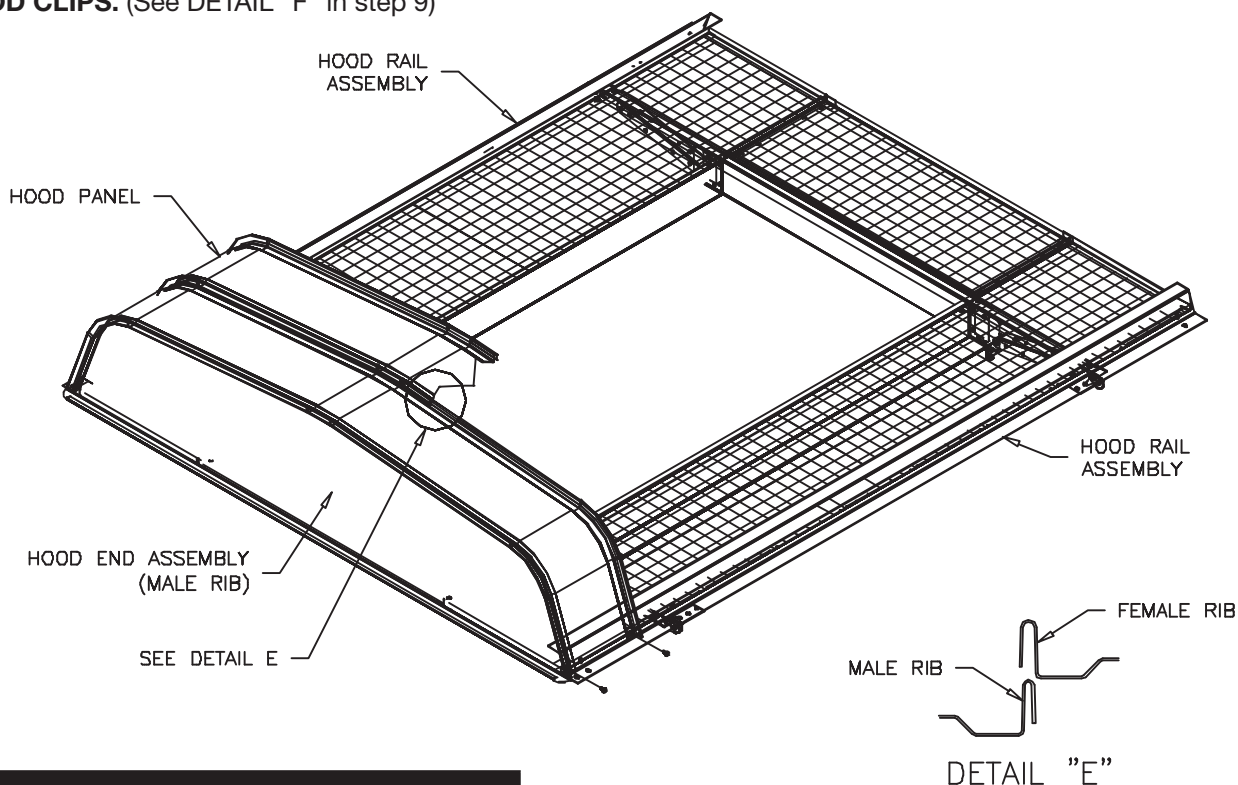


STEP 8

Assemble HOOD PANELS to HOOD RAIL ASSEMBLY. The HOOD END ASSEMBLY with the MALE RIB is to be installed first. (See Figure 7, DETAIL "E") Place the remaining HOOD PANELS in place, interlocking panels as you go. (See DETAIL "E") Secure each HOOD PANEL to the HOOD RAIL ASSEMBLY as it is put in place, using four (4) No. 12 X $\frac{5}{8}$ inch sheet metal screws with sealing washers per HOOD PANEL. The HOOD END ASSEMBLY with the FEMALE RIB is to be installed last. **NOTE: Hoods over 9 Ft. wide are supplied with special HOOD CLIPS.** (See DETAIL "F" in step 9)

HOOD PANELS have predrilled holes for HOOD CLIP installation. Install CLIPS as HOOD PANELS are being put in place, using one (1) No. 12 X $\frac{5}{8}$ inch sheet metal screw with sealing washer per HOOD CLIP. To install CLIPS in the last panel, leave the END BIRDSCREEN ASSEMBLY out to provide access to the underside of the hood. The END BIRDSCREEN ASSEMBLY can be easily replaced after the hood is completely assembled.

Figure 7



STEP 9

Tighten all pivot bracket fasteners. **NOTE: There may be extra fasteners.**

