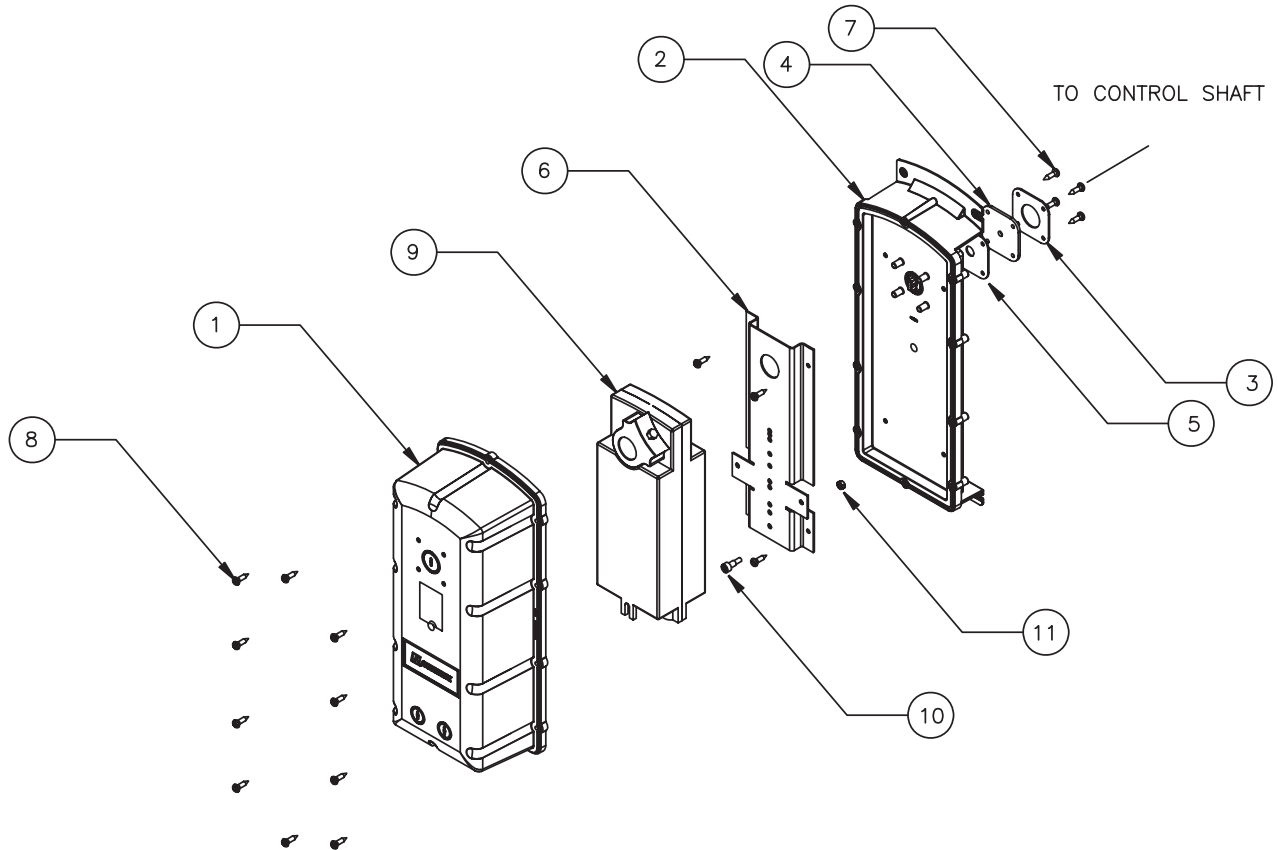


NEMA 4/4X Enclosure- Direct Drive

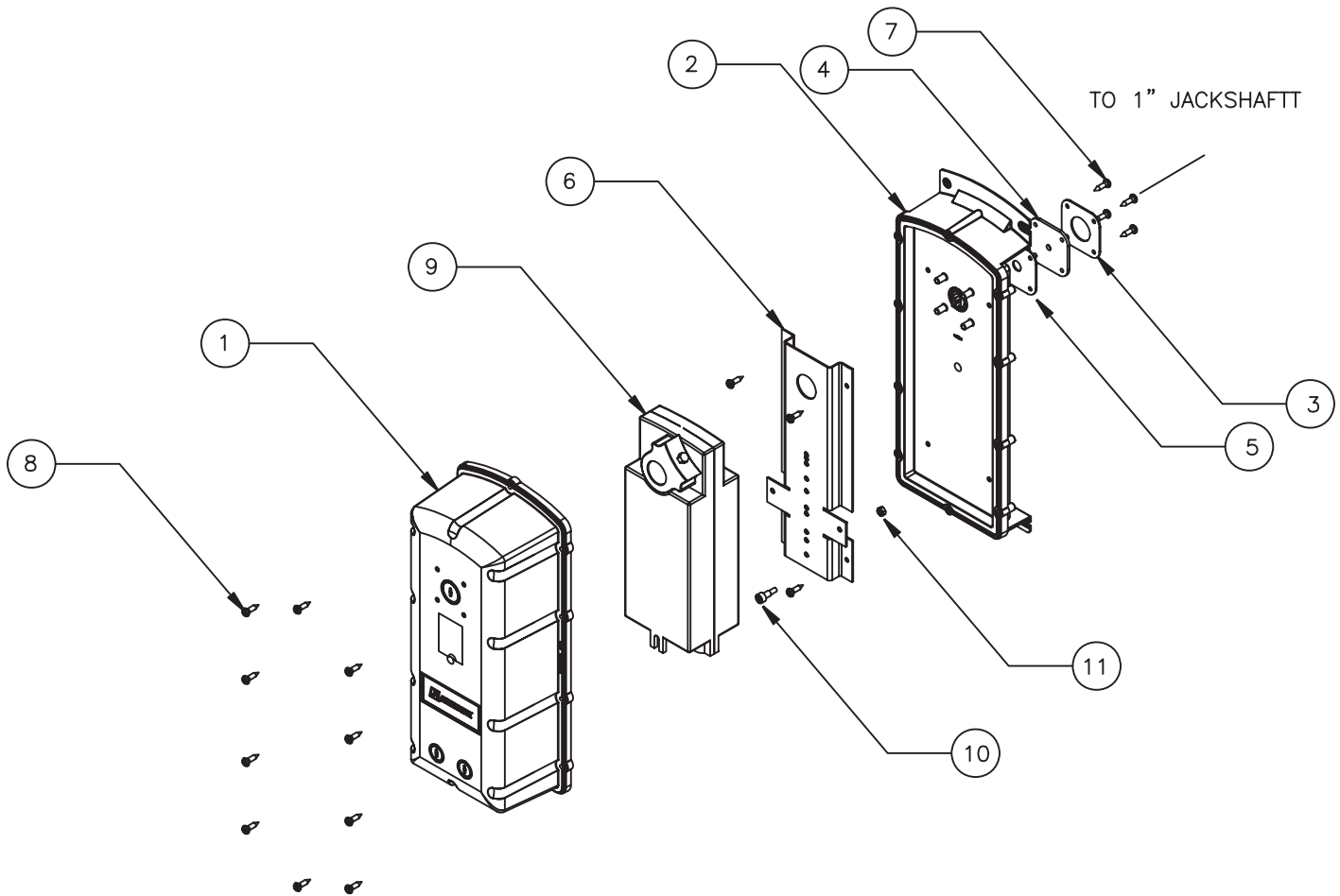


| Item Number | Description | Quantity |
|-------------|--|----------|
| 1 | NEMA 4X Cover | 1 |
| 2 | NEMA 4X Base | 1 |
| 3 | NEMA 4X Plate | 1 |
| 4 | Foam Seal | 1 |
| 5 | EPDM Seal | 1 |
| 6 | Actuator Mounting Bracket Assembly | 1 |
| 7 | M4 x 16mm screw | 8 |
| 8 | M4 x 20mm screw | 10 |
| 9 | Direct Drive Actuator | 1 |
| 10 | 1/4 x 3/8 Shoulder Bolt (Honeywell) or Anti-Rotation Pin (Belimo) | 4 |
| 11 | #10 - 24 Nylock Nut (Honeywell) or Keps Nut (Belimo) | 4 |

Instructions:

1. Mount the NEMA 4X plate (item #3), foam seal (item #4), EPDM seal (item #5), and actuator mounting bracket assembly (item #6) to the stand off bracket using 5/8" screws (item #7).
2. Slide the actuator mounting bracket assembly (item #6) over the control shaft and attach to the NEMA 4X base (item #2) using shoulder bolt or anti rotation pin (item #10) and nylock nuts or keps nut (item #11).
3. Slide the actuator onto the damper shaft making sure the anti-rotation strap is in the slot on the acutator. Verify the damper is in its fail position. Tighten the universal clamp to the damper shaft.
4. Mount the NEMA 4X cover (item # 1) and attach to the NEMA 4X base (item #2) using 3/4" screws (item #10).

NEMA 4/4X Enclosure- Jackshafted



| Item Number | Description | Quantity |
|-------------|--|----------|
| 1 | NEMA 4X Cover | 1 |
| 2 | NEMA 4X Base | 1 |
| 3 | NEMA 4X Plate | 1 |
| 4 | Foam Seal | 1 |
| 5 | EPDM Seal | 1 |
| 6 | Actuator Mounting Bracket Assembly | 1 |
| 7 | M4 x 16mm screw | 8 |
| 8 | M4 x 20mm screw | 10 |
| 9 | Direct Drive Actuator | 1 |
| 10 | 1/4 x 3/8 Shoulder Bolt (Honeywell) or Anti-Rotation Pin (Belimo) | 4 |
| | #10 - 24 Nylock Nut (Honeywell) or Keps Nut (Belimo) | |
| 11 | #10 - 24 Nylock Nut (Honeywell) or Keps Nut (Belimo) | 4 |

Instructions:

1. Mount the NEMA 4X plate (item #3), foam seal (item #4), EPDM seal (item #5), and actuator mounting bracket assembly (item #6) to the stand off bracket using 5/8" screws (item #7).
2. Slide the actuator mounting bracket assembly (item #6) over the jackshaft and attach to the NEMA 4X base (item #2) using shoulder bolt or anti rotation pin (item #10) and nylock nuts or keps nut (item #11).
3. Slide the actuator onto the damper jackshaft making sure the anti-rotation strap is in the slot on the acutator. Verify the damper is in its fail position. Tighten the universal clamp to the damper shaft.
4. Mount the NEMA 4X cover (item # 1) and attach to the NEMA 4X base (item #2) using 3/4" screws (item #10).

