

READ AND SAVE THESE INSTRUCTIONS



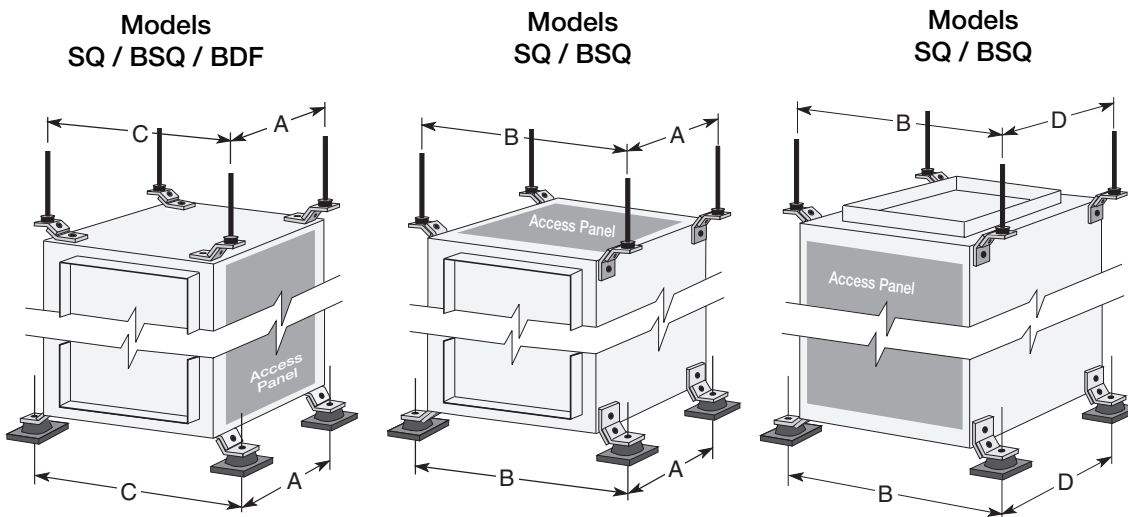
Isolator Mounting Accessory For Models SQ/BSQ/BDF

Installation, Operation and Maintenance Manual

Upon receiving unit, check for any damage and report it immediately to the shipper. Also check to see that all accessory items are accounted for.

Move fan to desired location and determine position the unit to be mounted. Punch out the four knock-out holes which are located on the unit top and bottom panels. Assemble the brackets to the unit according to the drawing below and refer to respective parts list (reverse side). Make certain all connectors are tight and that all washers are in

VIBRATION ISOLATOR DIMENSIONAL DATA



BDF

Unit Size	A	C
BDF 80	20%	22 ¹ / ₆
BDF 90	21%	25%
BDF 100	23%	27%
BDF 120	30 ¹ / ₂	31%
BDF 150	32	35
BDF 180	37%	44
BDF 200	47%	51 ¹ / ₂

BSQ

Unit Size	A	B	C	D
BSQ 70-90	18%	19%	17 ¹ / ₂	11%
BSQ 100	18%	21%	19 ¹ / ₂	13%
BSQ 120	18%	23%	21 ¹ / ₂	15%
BSQ 130	18%	25%	23 ¹ / ₂	17%
BSQ 140	19%	27%	25 ¹ / ₂	19%
BSQ 160	23 ¹ / ₂	31	28 ¹ / ₂	22%
BSQ 180	25 ¹ / ₂	33	28%	22%
BSQ 200	29 ¹ / ₂	37	32%	26%
BSQ 240	31 ¹ / ₂	44	39%	33%
BSQ 300	35	51	46%	40%
BSQ 360	39%	57	52%	46%
BSQ 420	47%	63	58%	52%

SQ

Unit Size	A	B	C	D
SQ 60-75	10%	16%	14 ¹ / ₂	8%
SQ 80-95	13 ¹ / ₄	19%	17 ¹ / ₂	11%
SQ 100	18%	21%	19 ¹ / ₂	13%
SQ 120	18%	23%	21 ¹ / ₂	15%
SQ 130	18%	25%	23 ¹ / ₂	17%
SQ 140	19%	27%	25 ¹ / ₂	19%
SQ 160	23 ¹ / ₂	31	28 ¹ / ₂	22%

PRE-STARTING CHECKS

Check all fasteners for tightness.

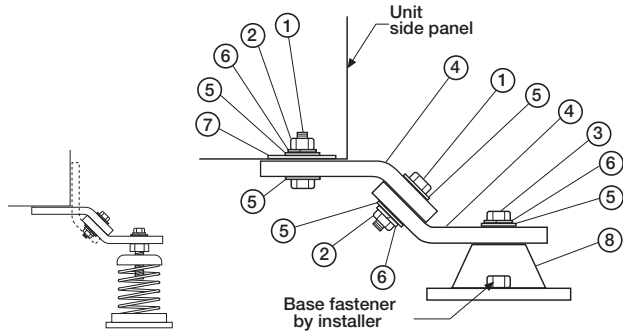
MAINTENANCE

All fasteners should be checked for tightness each time maintenance checks are performed prior to restarting unit. A proper maintenance program will help these units deliver years of dependable service.

NOTE: Before taking any corrective action, make certain unit is not capable of operation during repairs.

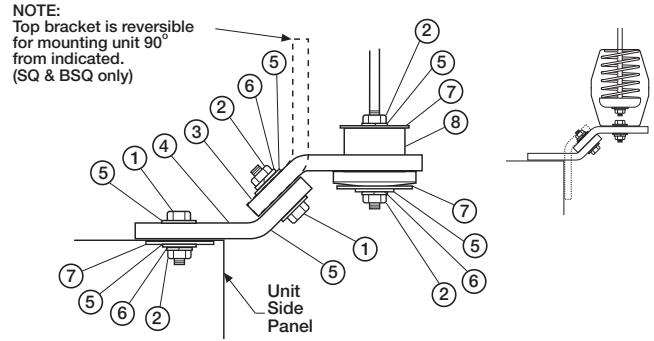
PARTS LIST

STANDING SUPPORT ISOLATOR



No.	Qty.	Description	SQ - 60 thru 140 BSQ - 100 thru 140 BDF - 80 thru 150	SQ - 160 BSQ - 160 thru 420 BDF - 180 thru 200
1	8	Cadium plated hex head bolts	3/8 in. - 16 x 1 in.	3/8 in. - 16 x 1 1/4 in.
2	8	Cadium plated hex nuts	3/8 in. - 16	3/8 in. - 16
3	4	Cadium plated hex head bolts	5/16 in. - 18 x 1 in.	3/8 in. - 16 x 1 in.
4	8	St. mount bracket w/2 - 7/16 in. holes	3/16 in.	1/4 in.
5	20	Cadium plated washer	7/8 in. O.D x 3/8 in. I.D. x 1/16 in.	7/8 in. O.D x 3/8 in. I.D. x 1/16 in.
6	12	Cadium plated lock washer	3/8 in.	3/8 in.
7	4	Cadium plated washer	1 3/8 in. O.D x 9/16 in. I.D. x 3/32 in.	1 3/8 in. O.D x 9/16 in. I.D. x 3/32 in.
8	4	Neoprene or Spring Isolator	Reference appropriate table below for replacement Isolator(s)	

HANGING SUPPORT ISOLATOR



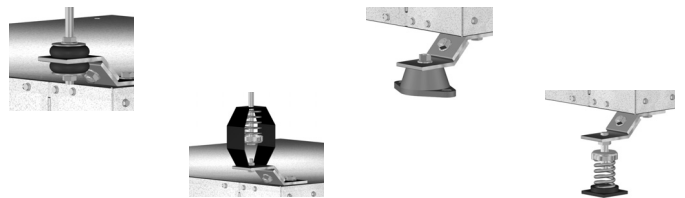
No.	Qty.	Description	SQ - 60 thru 140 BSQ - 100 thru 140 BDF - 80 thru 150	SQ - 160 BSQ - 160 thru 420 BDF - 180 thru 200
1	8	Cadium plated hex head bolts	3/8 in. - 16 x 1 in.	3/8 in. - 16 x 1 1/4 in.
2	16	Cadium plated hex nuts	3/8 in. - 16	3/8 in. - 16
3	4	St. mount bracket w/1 - 1/4 in hole	3/16 in.	1/4 in.
4	4	St. mount bracket w/2 - 7/16 in. holes	3/16 in.	1/4 in.
5	24	Cadium plated washer	7/8 in. O.D x 3/8 in. I.D. x 1/16 in.	7/8 in. O.D x 3/8 in. I.D. x 1/16 in.
6	12	Cadium plated lock washer	3/8 in.	3/8 in.
7	12	Cadium plated washer	1 3/8 in. O.D x 9/16 in. I.D. x 3/32 in.	1 3/8 in. O.D x 9/16 in. I.D. x 3/32 in.
8	4	Neoprene or Spring Isolator	Reference appropriate table below for replacement Isolator(s)	

REPLACEMENT SPRING ISOLATOR(S)

MODEL	FAN SIZES					
BDF	----	80-90	100-200	----	150-180	200
BSQ	----	70-130	140-180	200	240-300	360-420
SQ	60-100	120-140	160	----	----	----
BASE MOUNT	FDS-1-35 BLUE	FDS-1-70 GREEN	FDS 1-120 GRAY	FDS 1-120 GRAY	FDS-1-220 BROWN	FDS-1-370 ORANGE
HANGING	SH-1-35 BLUE	SH-1-70 GREEN	SH-1-125 GRAY	SH-1-245 BROWN	SH-1-245 BROWN	SH-1-370 ORANGE

REPLACEMENT NEOPRENE ISOLATOR(S)

MODEL	FAN SIZE		
BDF	80-100	120-150	180-200
BSQ	70-140	160-200	240-420
SQ	60-140	160	----
BASE MOUNT	R-1 GREEN	R-2 BLACK	R-2 RED
HANGING	40DUR BLACK	50DUR BLACK	50DUR BLACK



WARRANTY

Greenheck warrants this equipment to be free from defects in material and workmanship for a period of one year from the purchase date. Any units or parts which prove to be defective during the warranty period will be replaced at our option when returned to our factory, transportation prepaid. Motors are warranted by the motor manufacturer for a period of one year. Should motors furnished by Greenheck prove defective during this period, they should be returned to the nearest authorized motor service station. Greenheck will not be responsible for any removal or installation costs.

As a result of our commitment to continuous improvement, Greenheck reserves the right to change specifications without notice.



P.O. BOX 410 SCHOFIELD, WISCONSIN 54476-0410
PH. 715-359-6171
www.greenheck.com

IOM SQ/BSQ/ BDF Isolator
Rev. 1 April 2006
Copyright © 2006 Greenheck Fan Corp