



## Roof Curb and Duct Adapter

### Models: ERCH with Package DX

# ASSEMBLY INSTRUCTIONS

## STEP 1: Unpack and Inspect Parts

| Part Description                                     | Qty                  | ERCH-20       | ERCH-45       | ERCH-55       | ERCH-90       |        |
|--|----------------------|---------------|---------------|---------------|---------------|--------|
|  |                      | P/N           | P/N           | P/N           | P/N           |        |
| <b>Roof Curb Kit</b>                                 |                      |               |               |               |               |        |
| 12 in. high with Indirect Gas                        | 1                    | 852402        | 852417        | 852411        | 852407        |        |
| 12 in. high without Indirect Gas                     | 1                    | 852403        | 852416        | 852412        | 852408        |        |
| 16 in. high with Indirect Gas                        | 1                    | 852418        | 852420        | 852422        | 852424        |        |
| 16 in. high without Indirect Gas                     | 1                    | 852419        | 852421        | 852423        | 852425        |        |
| 1. End Channel                                       | 12 in. high          | 2             | 705959        | 705557        | 705769        | 705943 |
|  | 16 in. high          | 2             | 705965        | 705564        | 705914        | 705951 |
| 2. Side Channel                                      | 12 in. high          | 4             | 715530        | 715959        | 716311        | 715566 |
|  | 16 in. high          | 4             | 716257        | 716258        | 716259        | 716260 |
| 3. Center Channel                                    | 12 in. & 16 in. high | 1             | 705964        | 705558        | 705771        | 705949 |
| <b>Duct Adapter (12 in. &amp; 16 in. high curbs)</b> |                      |               |               |               |               |        |
| 4. Curb End Support Channel                          | 1                    | 705963        | 705559        | 705772        | 705948        |        |
| 5. Curb Center Support Channel                       | 1                    | 715531        | 715960        | 716312        | 715565        |        |
| 6. Duct Adapter with Indirect Gas                    | 1                    | 715533        | 715961        | 716310        | 715567        |        |
| 7. Duct Adapter without Indirect Gas                 | 1                    | 715534        | 715962        | 716309        | 715563        |        |
| 8. Duct Adapter Exhaust Inlet                        | 1                    | 715532        | 730570        | 716308        | 730571        |        |
| <b>Hardware Kit (for curb &amp; duct adapter)</b>    | <b>1</b>             | <b>852687</b> | <b>852687</b> | <b>852687</b> | <b>852687</b> |        |
| 3/8-16 x 3/4 Serrated Flange Bolts                   | 26                   | 415459        | 415459        | 415459        | 415459        |        |
| 3/8-16 x 3/4 Serrated Flange Nuts                    | 26                   | 415457        | 415457        | 415457        | 415457        |        |
| Screws, SMS (A) 12 x 0.625 (IHH)                     | 15                   | 415180        | 415180        | 415180        | 415180        |        |

Note: Hardware kit for the 12 in. high and 16 in. high roof curb are the same.

## Tools Recommended for Assembly

- Cordless drill
- 5/16 in. Nut setter
- 9/16 in. Nut setter
- Open or Closed 9/16 in. wrench
- Awl — for hole alignment

## STEP 2: Assemble Main Curb

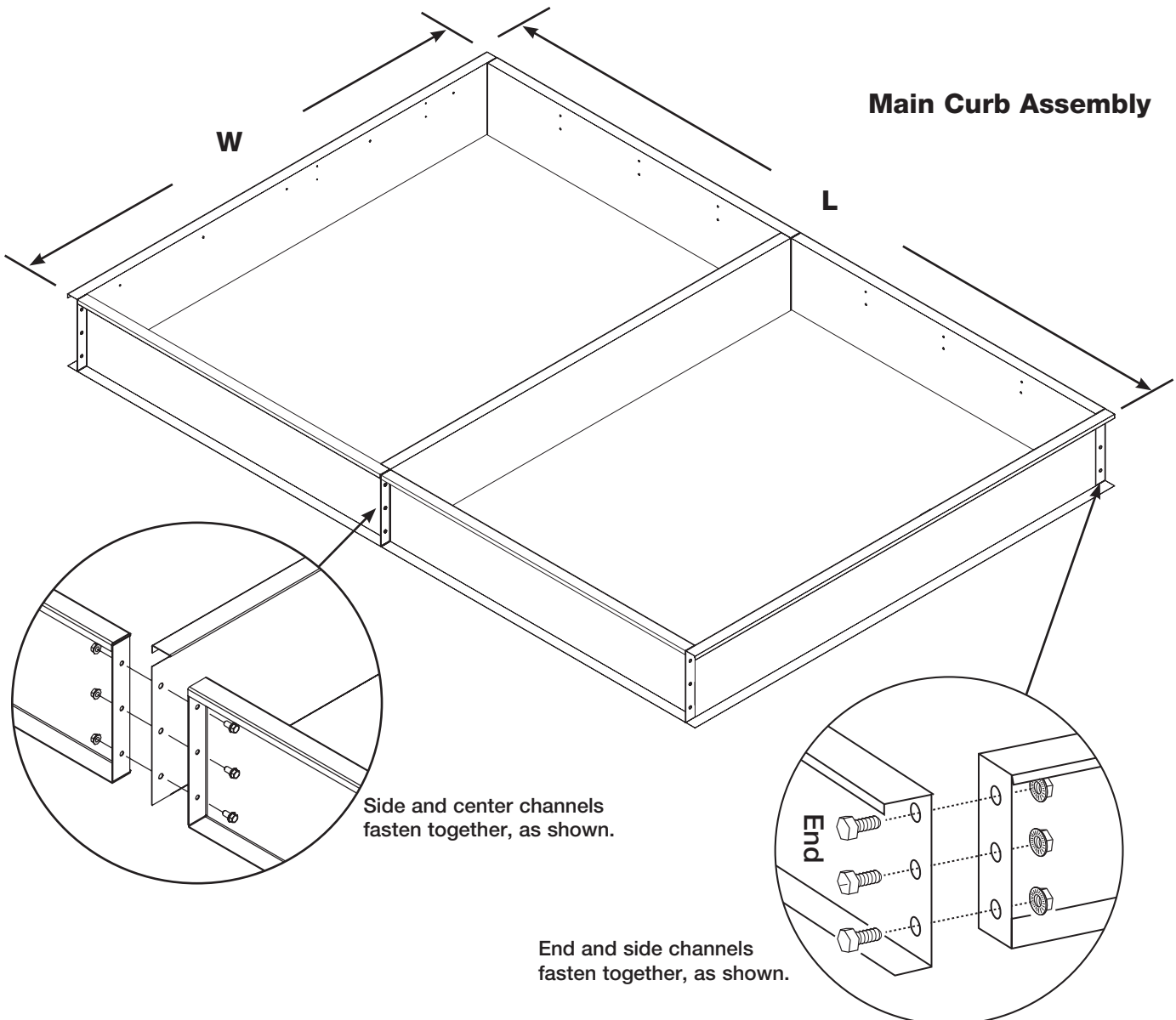
**Hardware Required:** (18)  $\frac{3}{8}$ -16 x  $\frac{3}{4}$  Serrated Flange Bolts [(24) for 16 in. curb]  
 (18)  $\frac{3}{8}$ -16 x  $\frac{3}{4}$  Serrated Flange Nuts [(24) for 16 in. curb]  
 (4) Side Channels  
 (2) End Channels  
 (1) Center Channel

**Instructions:**

- See **Main Curb Assembly** for positioning the Side, Center, and End Channels.
- Align the holes and fasten as shown.

| Channel Lengths and Overall Curb Dimensions |             |            |               |         |       |
|---|-------------|------------|---------------|---------|-------|
|   | Side Length | End Length | Center Length | L       | W     |
| ERCH-20                                     | 50.50       | 51.00      | 51.00         | 104.875 | 51.00 |
| ERCH-45                                     | 55.875      | 60.63      | 60.63         | 115.75  | 60.63 |
| ERCH-55                                     | 63.00       | 71.50      | 71.50         | 129.875 | 71.50 |
| ERCH-90                                     | 73.13       | 90.75      | 90.75         | 148.13  | 90.75 |

All dimensions in inches.

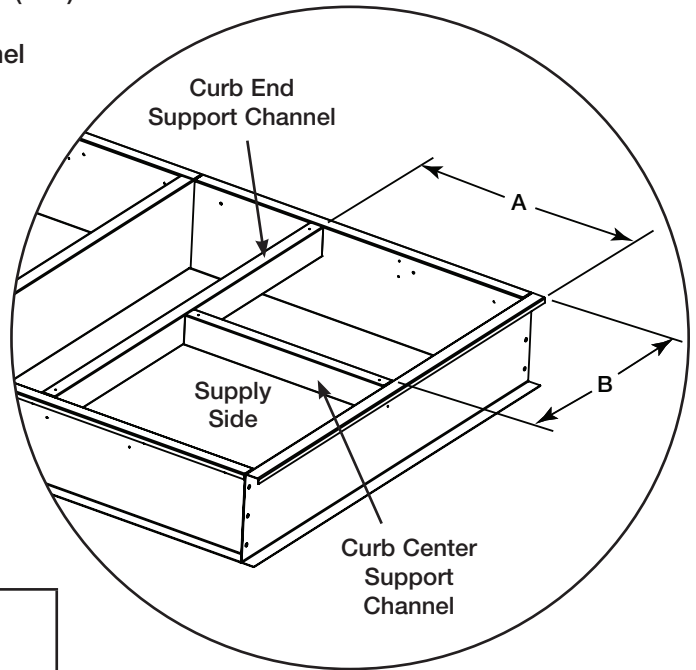


**IMPORTANT!** *The following steps are for ductwork support. These steps are required only if the ductwork will be installed prior to the energy recovery unit.*

### STEP 3: Fastening Curb End Support and Curb Center Support Channel

**Hardware Required:** (8) Screws, SMS (A) 12 x 0.625 (IHH)  
 (1) Curb End Support Channel  
 (1) Curb Center Support Channel

- Instructions:**
- Position the Curb End Support Channel as depicted.
  - Align the holes and fasten using (4) 12 x 0.625 (IHH) screws.
  - Position the Curb Center Support Channel as depicted.
  - Align the holes and fasten using (4) 12 x 0.625 (IHH) screws.



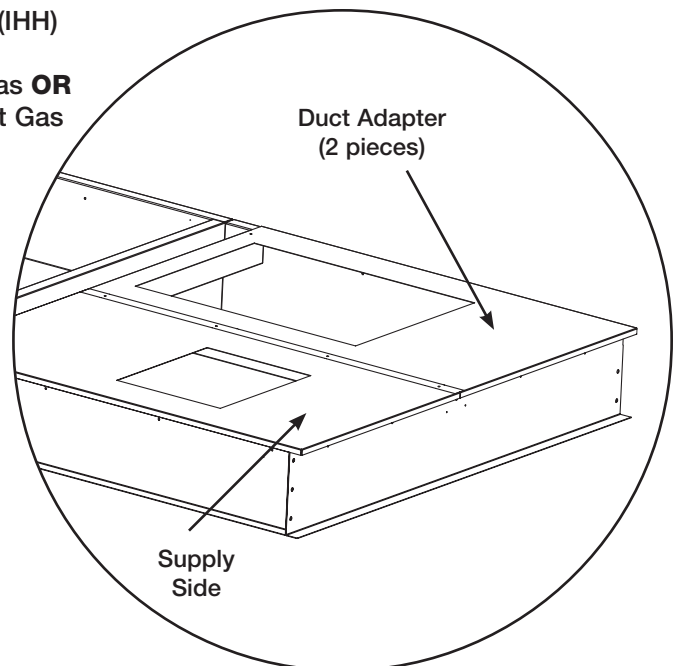
|         | End Support Length | Center Support Length | A      | B      |
|---------|--------------------|-----------------------|--------|--------|
| ERCH-20 | 47.25              | 43.375                | 45.375 | 24.625 |
| ERCH-45 | 56.75              | 45.375                | 47.375 | 29.50  |
| ERCH-55 | 67.75              | 56.50                 | 58.50  | 37.00  |
| ERCH-90 | 87.00              | 61.75                 | 63.75  | 44.50  |

All dimensions in inches.

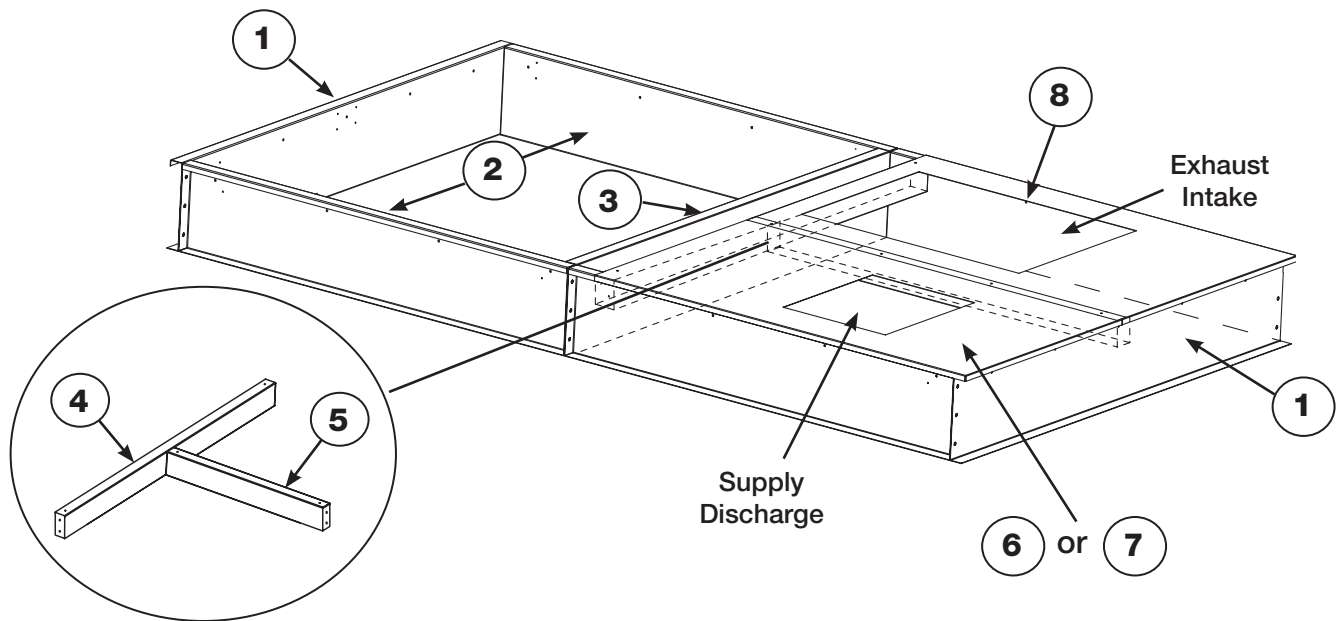
### STEP 4: Fastening Duct Adapter to Curb

**Hardware Required:** (3) Screws, SMS (A) 12 x 0.625 (IHH)  
 (1) Duct Adapter Exhaust Inlet  
 (1) Duct Adapter with Indirect Gas **OR**  
 (1) Duct Adapter without Indirect Gas

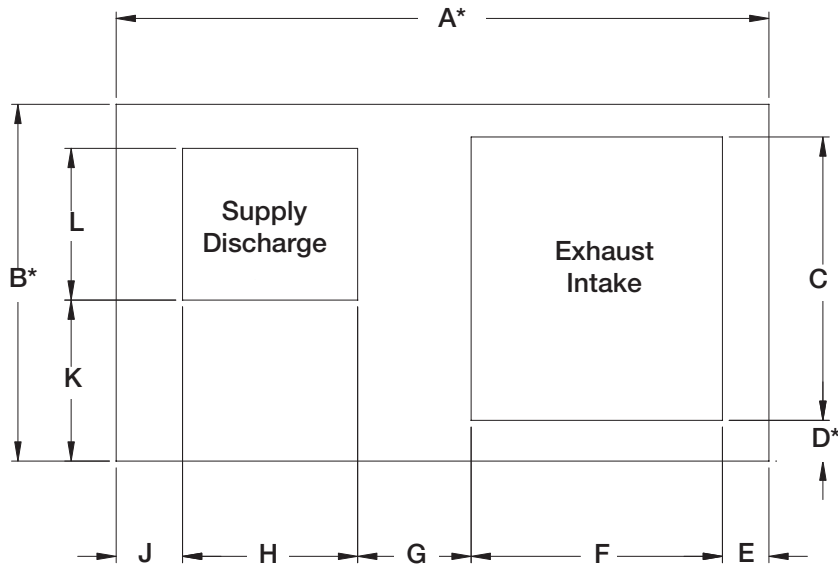
- Instructions:**
- Position the Duct Adapter as depicted.
  - Align the holes and fasten using (3) 12 x 0.625 (IHH) screws.



# ERCH with Packaged DX - Final Roof Curb Assembly



## Duct Adapter Opening Dimensions



|            | A     | B      | C     | D     | E     | F     | G      | H     | J     | K     | L     |
|------------|-------|--------|-------|-------|-------|-------|--------|-------|-------|-------|-------|
| ERCH-20    | 51.25 | 47.25  | 25.50 | 18.50 | 4.50  | 13.50 | 17.125 | 12.50 | 4.75  | 15.00 | 11.00 |
| W/ IG HEAT | 51.25 | 47.25  | 25.50 | 18.50 | 4.50  | 13.50 | 10.375 | 20.50 | 3.50  | 3.50  | 24.50 |
| ERCH-45    | 61.00 | 49.375 | 26.00 | 19.00 | 3.00  | 23.00 | 13.75  | 16.25 | 6.25  | 15.00 | 14.25 |
| W/ IG HEAT | 61.00 | 49.375 | 26.00 | 19.00 | 3.00  | 23.00 | 6.875  | 24.50 | 4.75  | 5.25  | 24.50 |
| ERCH-55    | 71.25 | 60.75  | 35.50 | 21.50 | 10.00 | 25.50 | 14.25  | 19.25 | 6.50  | 18.00 | 16.50 |
| W/ IG HEAT | 71.25 | 60.75  | 35.50 | 21.50 | 10.00 | 25.50 | 8.75   | 27.50 | 4.00  | 3.75  | 34.50 |
| ERCH-90    | 91.25 | 65.875 | 35.00 | 27.75 | 4.75  | 39.00 | 15.675 | 22.75 | 11.75 | 21.50 | 19.50 |
| W/ IG HEAT | 91.25 | 65.875 | 35.00 | 27.75 | 4.75  | 39.00 | 7.25   | 30.50 | 12.50 | 4.50  | 31.50 |

All dimensions in inches.

\* Measurements from outside edge of curb.

