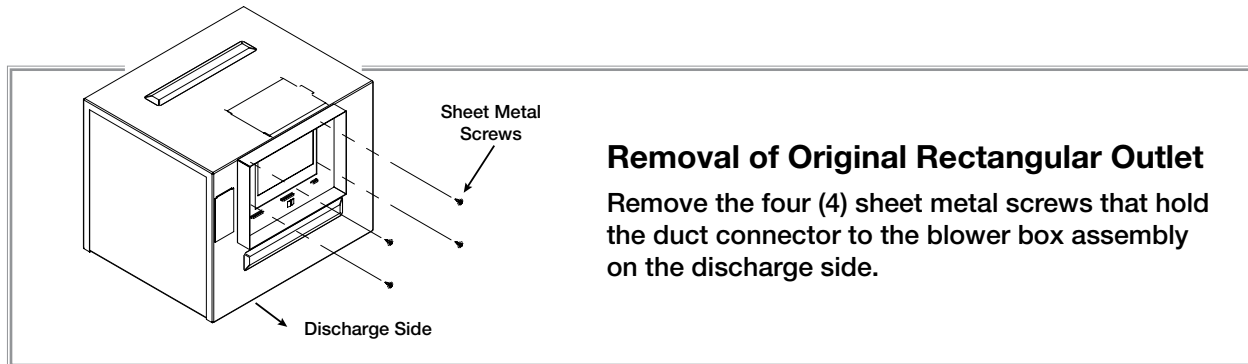


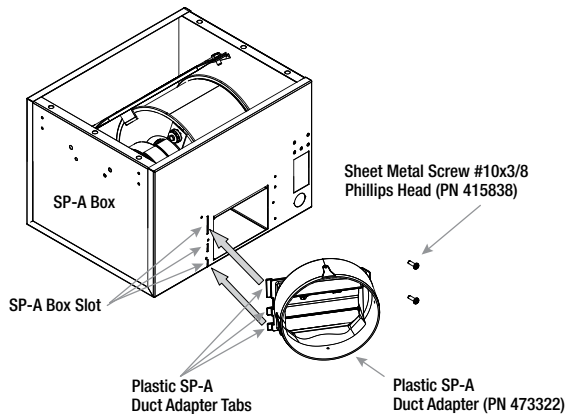
Assembly and Installation Instructions

Please read these instructions carefully before attempting to assemble the product described. Protect yourself and others by observing all safety information. Failure to comply with instructions could result in personal injury and/or property damage!

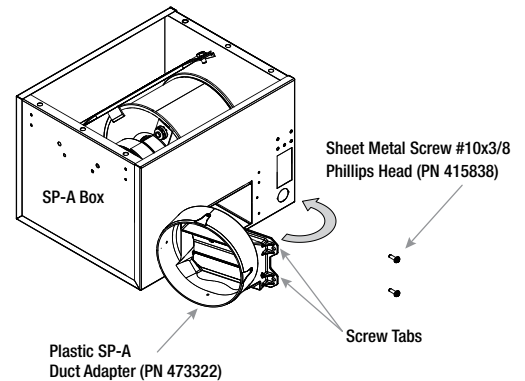


Installation of RDC-6 Round Duct Connector on SP-A 110-190

1 Insert plastic duct tab into SP-A box slots.



2 Rotate plastic SP-A duct adapter (PN 473322) until the screw tabs meet SP-A box.



3 Install screws provided to secure discharge.

