

**Jump-over Jackshaft Coupler**

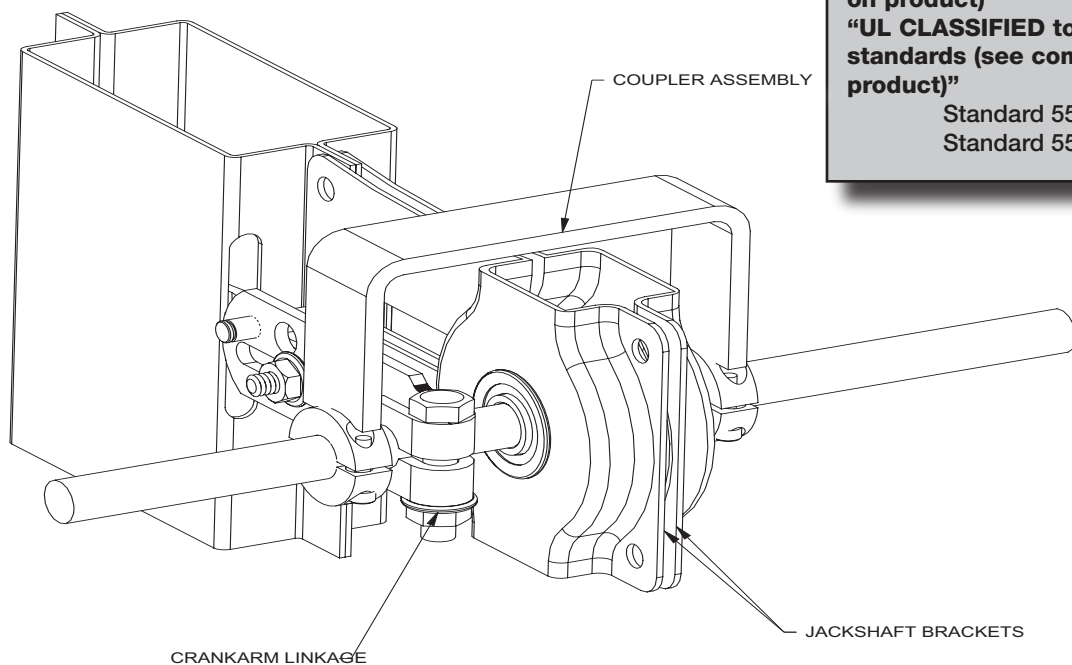
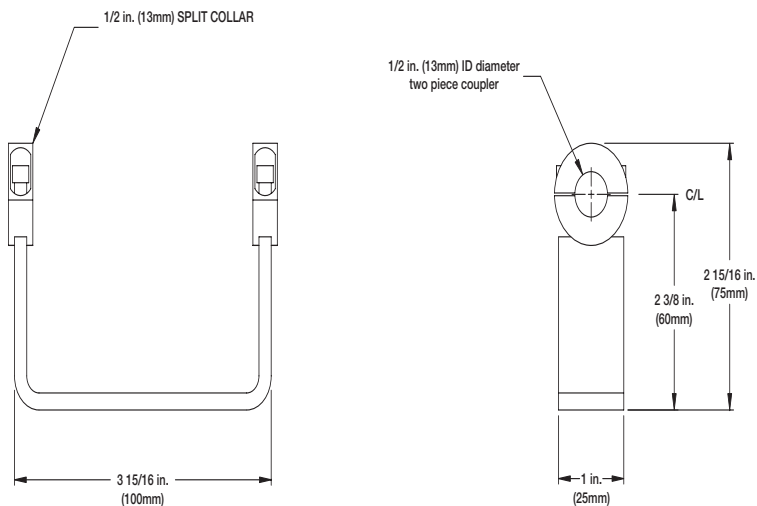
Refer to:  
'Installation Instructions for FSD-XXX, DFD-XXX, CFSD-XXX, SSFSD-XXX Series Fire and Combination Fire Smoke Dampers  
 (Part #461336)

**FSD series**  
**Combination Fire Smoke Dampers**
**Application**

The jump-over jackshaft coupler is designed to couple together two independent jackshafts.

**Notes**

1. Remove the set-screws and separate the two halves of both two piece couplers.
2. Position the jump-over bracket such that it straddles the two center jackshaft brackets and the crankarm nearest the center jackshaft brackets.
3. Replace the bottom half of both two piece couplers and the four set-screws using 60 in. lb. of torque.



**FSD-XXX series dampers are**  
**“UL CLASSIFIED (see complete marking on product)”**  
**“UL CLASSIFIED to Canadian safety standards (see complete marking on product)”**

Standard 555 (Listing # R13317)  
 Standard 555S (Listing # R13447)