

Part Number 463562
Installation Instruction Supplement for
FD, DFD, & DFD-2XX Series
Fire Dampers and
FSD, SSFSD, & CFSD Series
Combination Fire Smoke Dampers
Installed in Concrete Floor with Steel Deck

Refer to:
 'Installation Instructions for FD, DFD, SSFD, SSDFD, & KFD Series Curtain Fire Dampers' (Part #452763)
 or
 'Installation Instructions for FD and DFD 150X Series Curtain Fire Dampers' (Part #453946)
 or
 'Installation, Operation and Maintenance Instructions for FSD-XXX, SSFSD-XXX, DFD-2XX, & CFSD-XXX Series Fire & Combination Fire Smoke Dampers' (Part #461336) for additional details.

Application

Horizontal installation of FD, DFD, DFD-2XX, FSD, SSFSD, and CFSD models in concrete floors utilizing a steel deck. The hole opening made through the concrete floor may not allow the bottom angle to be placed against the steel deck on an even plane. This installation details how to properly install the required retaining angles next to the steel deck.

Notes

1. Retaining angles are required on top and bottom sides of damper as detailed in the Installation Instructions shown above. Legs on angles may be reversed such that one leg is inserted into the floor opening provided the required clearance is maintained between angle leg fasteners and the floor opening.
2. Installation of the bottom retaining angle against the uneven steel deck shall be done such that the angles on each side of the sleeve are as close to the barrier as possible. In other words, the angles on each side of the sleeve may be in different planes relative to each other (see Figure 1 and 2).
3. When viewed from end of sleeve, the angles must overlap each other in the corners such that no sight-through is possible (see Figure 2).

"UL CLASSIFIED (see complete marking on product)"
"UL CLASSIFIED to Canadian safety standards (see complete marking on product)"
 Standard 555 (Listing #R13317)
 Standard 555S (Listing #R13447)

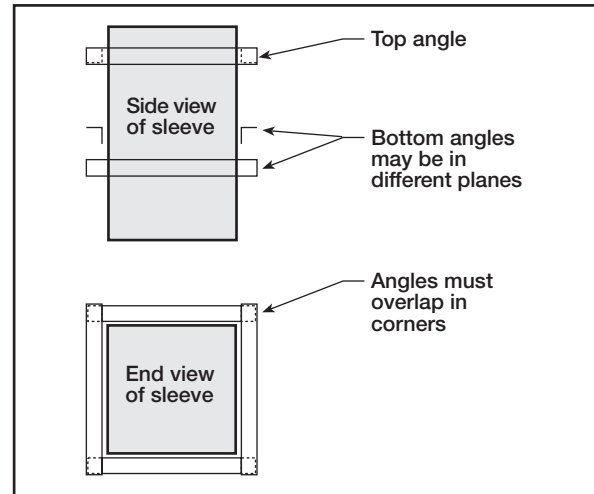


Figure 2: Retaining angle installation.

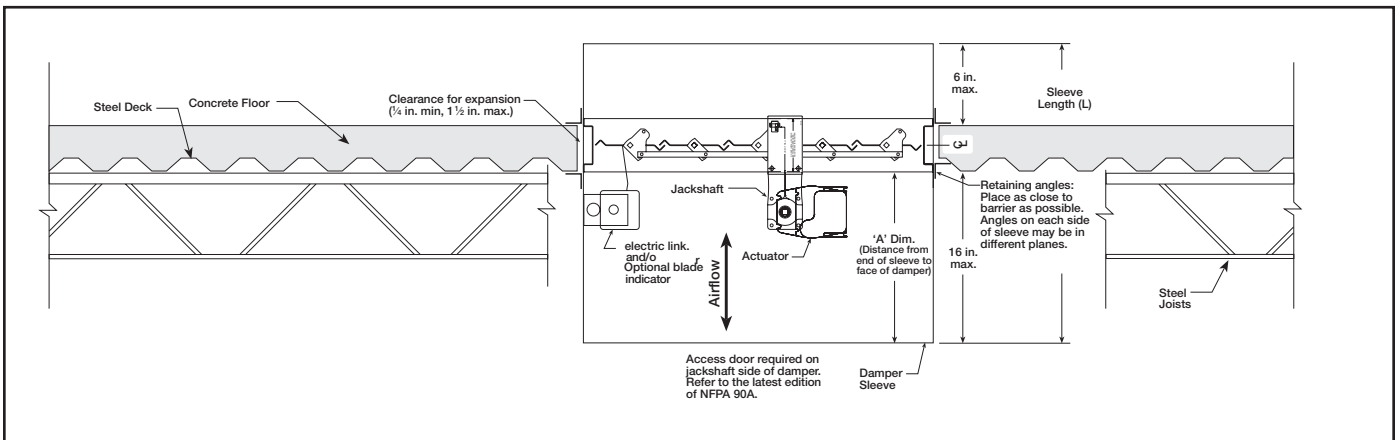


Figure 1: Damper installed in concrete floor with steel deck.