



Roof Curb and Duct Adapter

Models: ERH-20, 45, 55, & 90

ASSEMBLY INSTRUCTIONS

STEP 1: Unpack and Inspect Parts

Part Description	Qty	ERH-20	ERH-45	ERH-55	ERH-90	
		P/N	P/N	P/N	P/N	
Roof Curb Kit						
12 in. high with Indirect Gas	1	852129	852133	852143	852153	
12 in. high without Indirect Gas	1	852130	852134	852144	852154	
16 in. high with Indirect Gas	1	852131	852135	852145	852155	
16 in. high without Indirect Gas	1	852132	852136	852146	852156	
1. End Channel	12 in. high	2	705959	705557	705769	705943
	16 in. high	2	705965	705564	705914	705951
2. Side Channel	12 in. high	4	706903	706942	706978	706990
	16 in. high	4	706904	706943	706979	706991
3. Center Channel	12 in. & 16 in. high	1	705964	705558	705771	705949
Duct Adapter (12 in. & 16 in. high curbs)						
4. Curb End Support Channel	1	705963	705559	705772	705948	
5. Curb Center Support Channel	1	705962	705560	705773	705947	
6. Duct Adapter with Indirect Gas Heat	1	705961	705561	705915	705945	
7. Duct Adapter without Indirect Gas Heat	1	705960	705562	705774	705946	
Hardware Kit (for curb & duct adapter)	1	852087	852087	852087	852087	
3/8-16 x 3/4 Serrated Flange Bolts	26	415459	415459	415459	415459	
3/8-16 x 3/4 Serrated Flange Nuts	26	415457	415457	415457	415457	
Screws, SMS (A) 12 x 0.625 (IHH)	15	415180	415180	415180s	415180	

Note: Hardware kit for the 12 in. high and 16 in. high roof curb are the same.

Tools Recommended for Assembly

- Cordless drill
- 5/16 in. Nut setter
- 9/16 in. Nut setter
- Open or Closed 9/16 in. wrench
- Awl – for hole alignment

STEP 2: Assemble Main Curb

Hardware Required: (18) 3/8-16 x 3/4 Serrated Flange Bolts [(24) for 16 in. curb]
 (18) 3/8-16 x 3/4 Serrated Flange Nuts [(24) for 16 in. curb]
 (4) Side Channels
 (2) End Channels
 (1) Center Channel

Instructions:

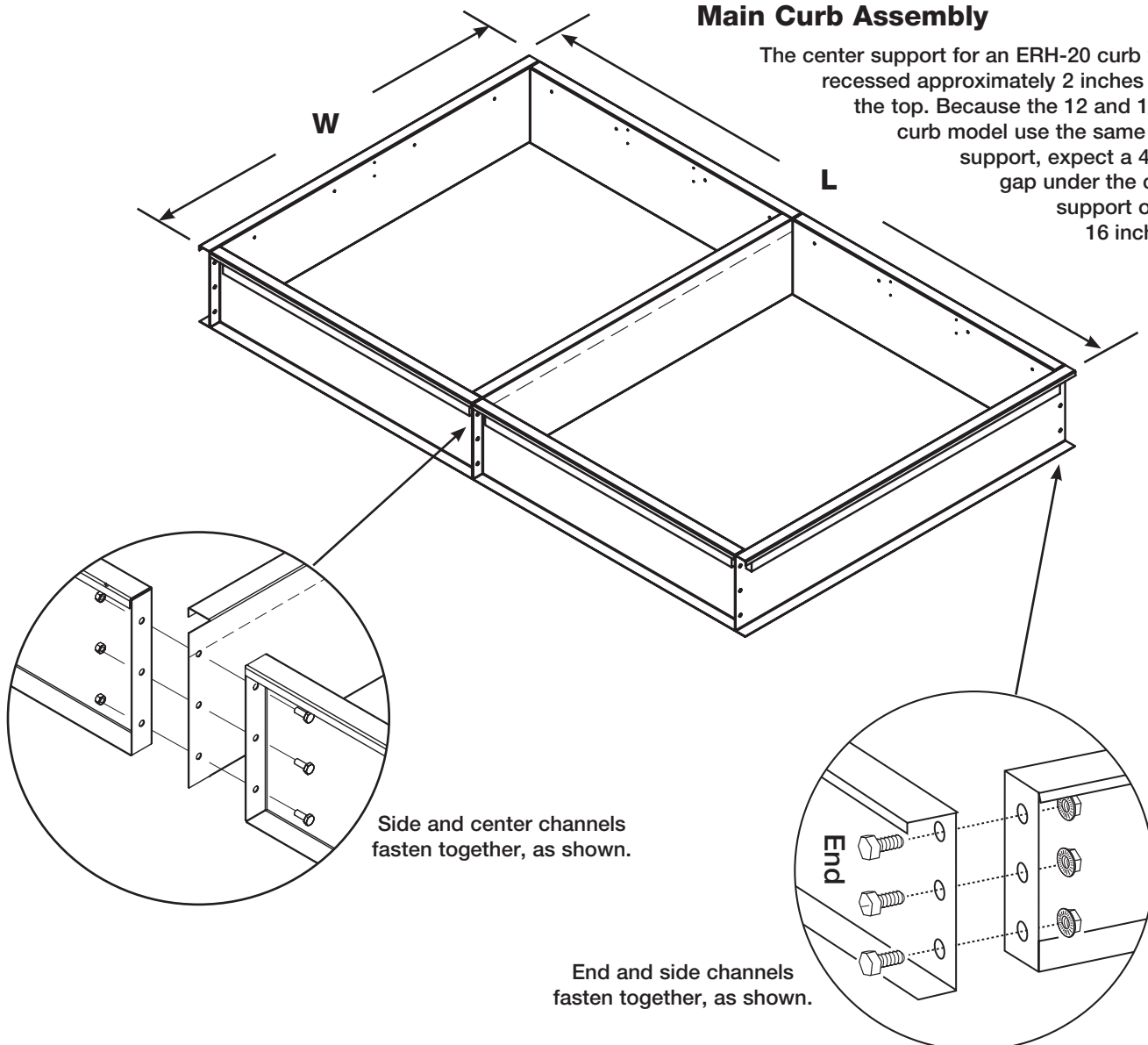
- See **Main Curb Assembly** for positioning the Side, Center, and End Channels.
- Align the holes and fasten as shown.

Channel Lengths and Overall Curb Dimensions					
	Side Length	End Length	Center Length	L	W
ERH-20	34.50	51.00	51.00	73.00	51.00
ERH-45	38.25	60.63	60.63	80.50	60.63
ERH-55	44.88	71.50	71.50	93.75	71.50
ERH-90	51.00	90.75	90.75	106.00	90.75

All dimensions in inches.

Main Curb Assembly

The center support for an ERH-20 curb will be recessed approximately 2 inches from the top. Because the 12 and 16-inch curb model use the same center support, expect a 4 inch gap under the center support of the 16 inch curb.



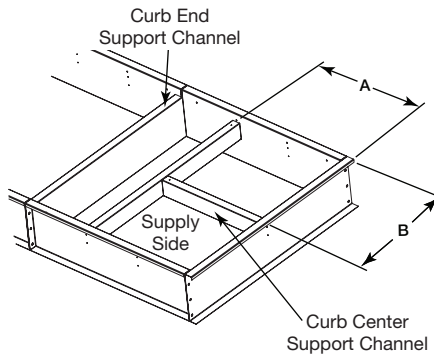
IMPORTANT! *The following steps are for ductwork support. These steps are required only if the ductwork will be installed prior to the ERH unit.*

STEP 3: Fastening Curb End Support and Curb Center Support Channel (Items 4 & 5)

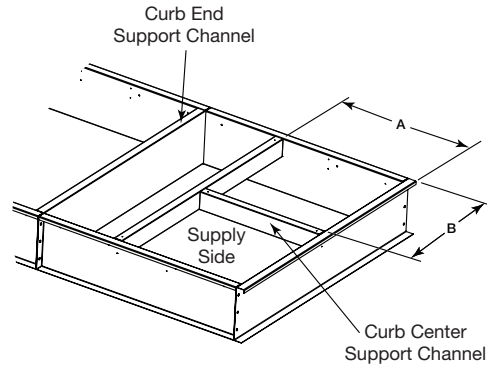
Hardware Required: (8) Screws, SMS (A) 12 x 0.625 (IHH)
 (1) Curb End Support Channel
 (1) Curb Center Support Channel

- Instructions:**
- Position the Curb End Support Channel as depicted.
 - Align the holes and fasten using (4) 12 x 0.625 (IHH) screws.
 - Position the Curb Center Support Channel as depicted.
 - Align the holes and fasten using (4) 12 x 0.625 (IHH) screws.

ERH-20



ERH-45, 55 & 90



	End Support Length	Center Support Length	A	B
ERH-20	47.25	28.38	31.38	25.50
ERH-45	56.75	29.25	32.25	30.32
ERH-55	67.75	37.00	40.00	35.75
ERH-90	87.00	39.63	42.75	45.38

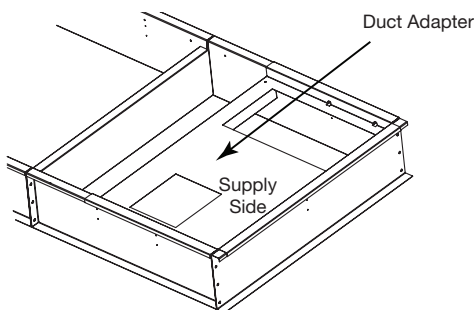
All dimensions in inches.

STEP 4: Fastening Duct Adapter to Curb (Item 6 or 7)

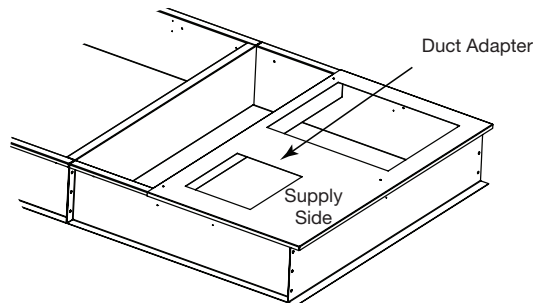
Hardware Required: (3) Screws, SMS (A) 12 x 0.625 (IHH)
 (1) Duct Adapter

- Instructions:**
- Position the Duct Adapter as depicted.
 - Align the holes and fasten using (3) 12 x 0.625 (IHH) screws.

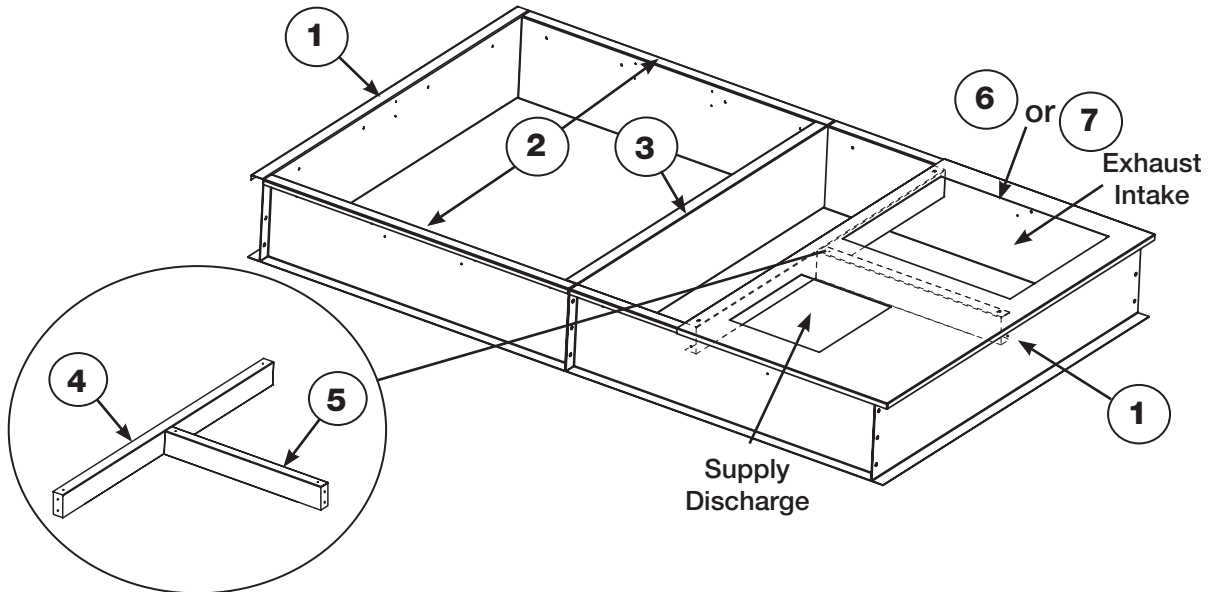
ERH-20



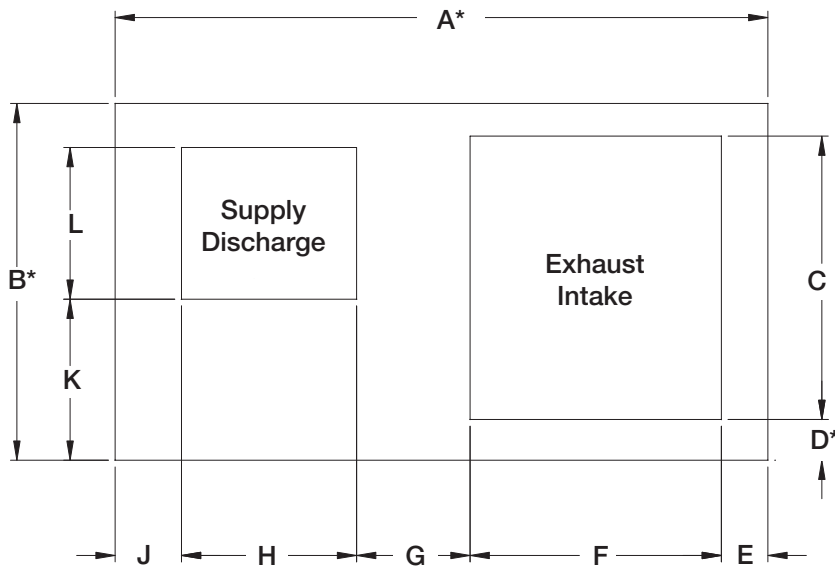
ERH-45, 55 & 90



ERH-20, 45, 55, 90: Final Roof Curb Assembly



Duct Adapter Opening Dimensions



	A	B	C	D	E	F	G	H	J	K	L
ERH-20	51.00	32.50	25.50	3.50	4.38	13.50	16.00	12.50	4.63	15.00	11.00
W/ IG HEAT	51.00	32.50	25.50	3.50	4.38	13.50	9.25	20.50	3.38	3.50	24.50
ERH-45	60.63	33.50	26.50	4.00	4.25	23.50	10.38	16.25	6.25	15.00	14.25
W/ IG HEAT	60.63	33.50	26.50	4.00	4.25	23.50	3.63	24.50	4.75	5.25	24.50
ERH-55	71.50	43.50	35.50	3.75	9.75	25.50	10.75	19.25	6.25	18.00	16.50
W/ IG HEAT	71.50	43.50	35.50	3.75	9.75	25.50	5.00	27.50	3.75	3.75	34.50
ERH-90	90.75	43.00	35.50	4.75	4.25	39.50	12.75	22.75	11.50	21.50	19.50
W/ IG HEAT	90.75	43.00	35.50	4.75	4.25	39.50	4.25	30.50	12.25	4.50	31.50

All dimensions in inches.

* Measurements from outside edge of curb.

