



MAKE-UP AIR ROOF CURB

Model: MSU-35

ASSEMBLY INSTRUCTIONS

Table of Contents	
Pg. 1	Duct Adapter Assembly (Optional)
Pg. 2	Blower Only Curb Assembly
Pg. 3	Blower & Direct Gas Module Curb Assmby (Optional)
Pg. 3	Blower & Coil Curb Extension (Optional)
Pg. 4	Dimensional Data

DUCT ADAPTER PARTS LIST & ASSEMBLY

Part Description	Height	Qty	P/N	Length
Blower Curb Duct Adapter				
A Duct Frame	12	2	708642	70.00 in.
	24	2	708698	70.00 in.
B Duct Cross Channels For blower 122 (Optional)	12	2	708643	30.50 in.
	24	2	708660	30.50 in.
	12	2	708644	34.50 in.
	24	2	708659	34.50 in.
Direct Gas Module Duct Adapter (Recirc)				
A Recirc Frame	12	2	708642	70.00 in.
	24	2	708698	70.00 in.
C Recirc Cross Channels (Optional)	12	2	708649	24.75 in.
	24	2	708699	24.75 in.
Hardware Kit		1	852181	

Materials Required for Each Option:

(8 -12) SCREWS, SMS (A) 12 x 0.625 (IHH)
(Provided in Hardware kit)

Cordless drill with 5/16 in. nut driver.

Instructions:

- Align pre-drilled holes on parts, indicated above, for selected option(s).
- Fasten together with screws provided.

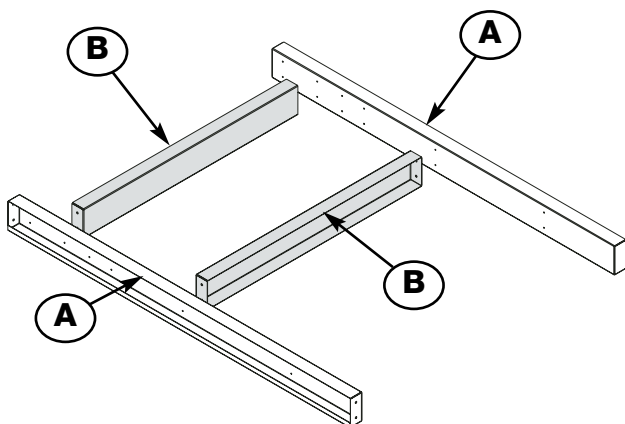


Figure 1: Blower Duct Adapter

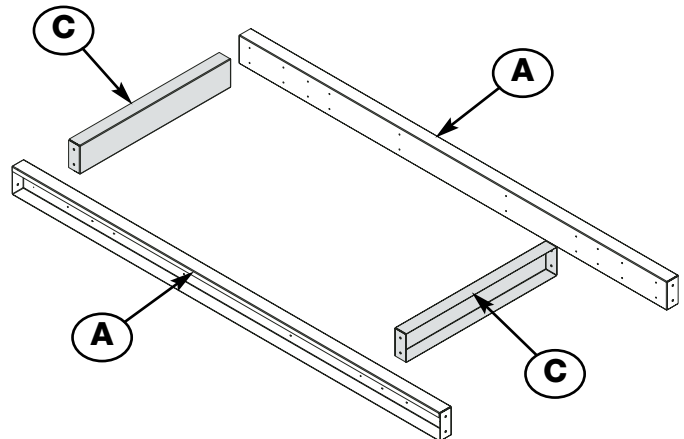


Figure 2: Recirc Duct Adapter

NOTE:
Shaded parts in above drawings are optional. If specific unit does not have such options refer to page 2 for additional instructions. Please refer to page 4 for dimensional data.

BLOWER ONLY CURB PARTS LIST & ASSEMBLY

NOTE:
If unit is equipped with Direct Gas Module or Coil Section, please refer to page 3 for assembly instruction.

	Part Description	Height	Qty	P/N	Length
Blower Curb Only					
D	End Channel	12	2	708640	73.75 in.
		24	2	708654	73.75 in.
E	Access Side	12	1	708636	54.50 in.
		24	1	708655	54.50 in.
F	Non-Access Side	12	1	708641	54.50 in.
		24	1	708656	54.50 in.

Materials Required for Assembly:

- (12 - 24) 3/8 - 16 x 3/4 Serrated Flange Bolts
- (12 - 24) 3/8 - 16 x 3/4 Serrated Flange Nuts
- (8 - 12) SCREWS, SMS (A) 12 x 0.625 (IHH)
(Provided in Hardware kit)

- Cordless drill with 9/16 in. nut driver
- Cordless drill with 5/16 in. nut driver
- Awl - for hole alignment
- Combination 9/16 in. wrench

Figure 3: Blower Curb Only

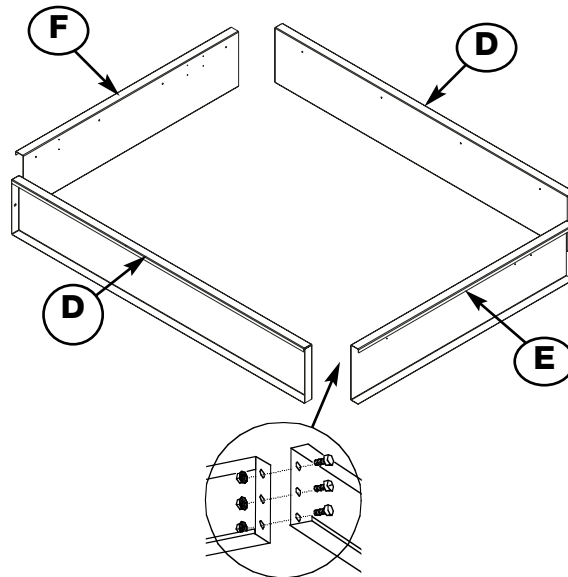
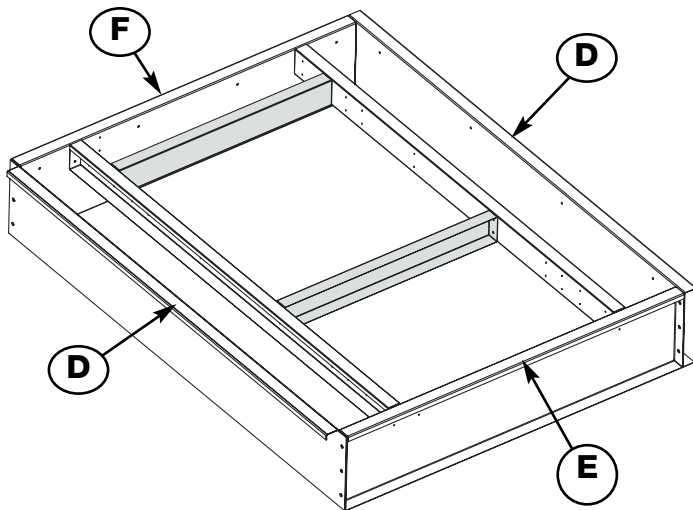


Figure 4: Blower Curb with Duct Adapter



Instructions:

Figure 3

- Align pre-drilled holes.
- Fasten together with bolts provided.

Figure 4

- Fasten pre-assembled duct adapter to the access & non access sides with screws provided.
- Align pre-drilled holes.
- Fasten together with bolts provided.

NOTE:
Figure 4 is shown with the Duct adapter option. Shaded parts are not included unless specifically ordered.
Refer to Page 4 for dimensional data.

BLOWER & DIRECT GAS MODULE CURB PARTS LIST & ASSEMBLY

Part Description	Height	Qty	P/N	Length
D End Channel	12	2	708640	73.75 in.
	24	2	708654	73.75 in.
E Access Side	12	1	708636	54.50 in.
	24	1	708655	54.50 in.
F Non-Access Side	12	1	708641	54.50 in.
	24	1	708656	54.50 in.
G Center	12	1	708639	73.75 in.
	24	1	708657	73.75 in.
H DGM Access Side	12	1	708650	55.50 in.
	24	1	708697	55.50 in.
I DGM Non Access Side	12	1	708648	55.50 in.
	24	1	708696	55.50 in.

Materials Required for Assembly:

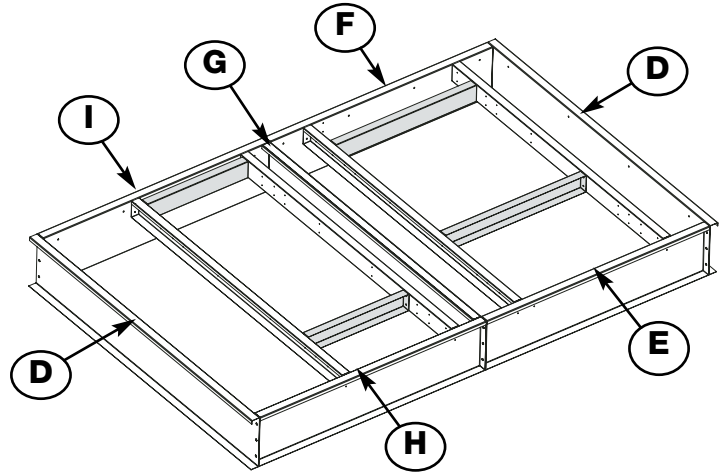
- (18 - 36) 3/8 - 16 x 3/4 Serrated Flange Bolts
- (18 - 36) 3/8 - 16 x 3/4 Serrated Flange Nuts
- (16 - 24) SCREWS, SMS (A) 12 x 0.625 (IHH)
(Provided in Hardware kit)

- Cordless drill with 9/16 in. nut driver
- Cordless drill with 5/16 in. nut driver
- Awl - for hole alignment
- Combination 9/16 in. wrench

Instructions (refer to Figure 5):

- Fasten pre-assembled duct adapters (if supplied) to the access & non access sides with screws provided.
- Fasten access & non-access sides to the Center with bolts provided.
- Align pre-drilled holes on curb corners.
- Fasten together with bolts provided.

Figure 5: Blower & Direct Gas Module Curb



BLOWER & COIL EXTENSION PARTS LIST & ASSEMBLY

Part Description	Height	Qty	P/N	Length
D End Channel	12	2	708640	73.75 in.
	24	2	708654	73.75 in.
E Access Side	12	1	708636	54.50 in.
	24	1	708655	54.50 in.
F Non-Access Side	12	1	708641	54.50 in.
	24	1	708656	54.50 in.
G Center	12	1	708639	73.75 in.
	24	1	708657	73.75 in.
J Coil Side	12	2	708651	9.25 in.
	24	2	708710	9.25 in.

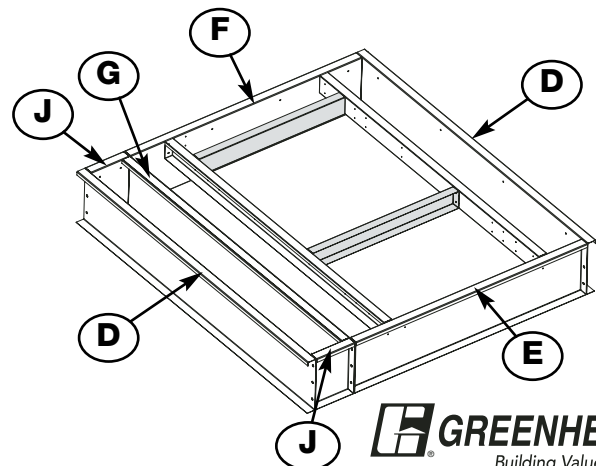
Materials Required for Assembly:

Same materials required as Figure 5

Instructions (refer to Figure 6):

- Fasten pre-assembled duct adapter (if supplied) to the access & non access sides with screws provided.
- Fasten access & non-access sides to the Center with bolts provided.
- Align pre-drilled holes on curb corners.
- Fasten together with bolts provided.

Figure 6: Blower & Coil Extension Curb



NOTE:

Figures 5 & 6 are shown with Duct adapter & Recirc adapter options. Shaded parts are not included unless specifically ordered. Refer to Page 4 for dimensional data.

DIMENSIONAL DATA

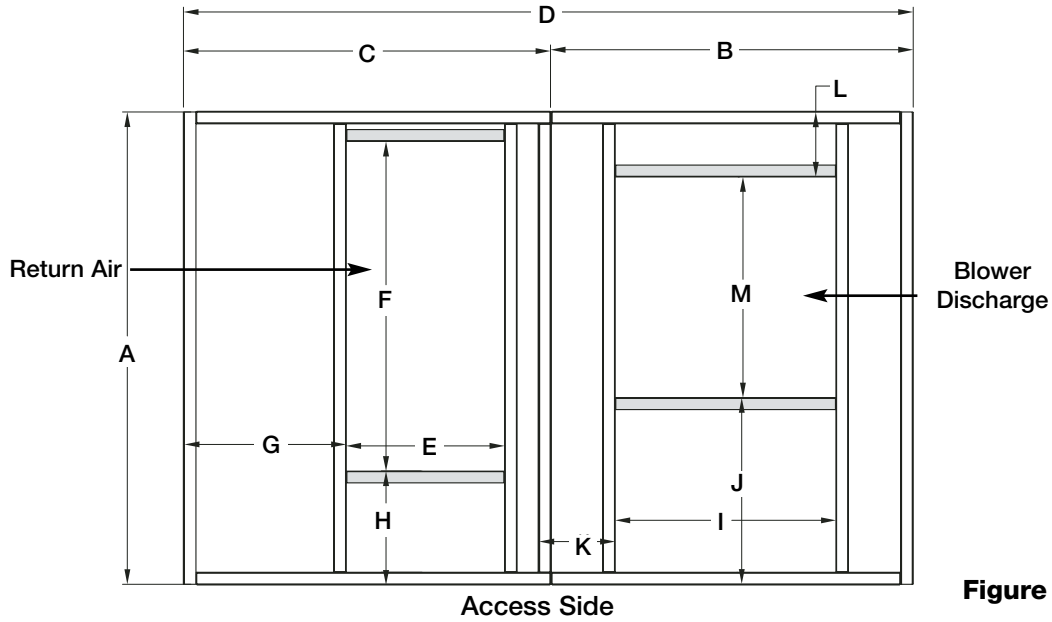


Figure 7

Blower Size	A	B	C	D	E	F	G	H	I	J	K	L	M
Dimensions for Blower and Direct Gas Curbs w/ Adapters (Figure 7)													
122	74.00	56.625	57.375	114.00	24.75	51.50	25.50	18.00	30.50	29.25	16.00	14.25	30.50
125	74.00	56.625	57.375	114.00	24.75	51.50	25.50	18.00	34.50	29.25	12.00	10.25	34.50
Dimensions for Blower and Coil Curb Extension w/ Adapters (Figure 8)													
122	74.00	56.625	11.125	67.75	14.25	29.25	30.50	16.00	30.50	n/a	n/a	n/a	n/a
125	74.00	56.625	11.125	67.75	10.25	29.25	34.50	12.00	34.50	n/a	n/a	n/a	n/a

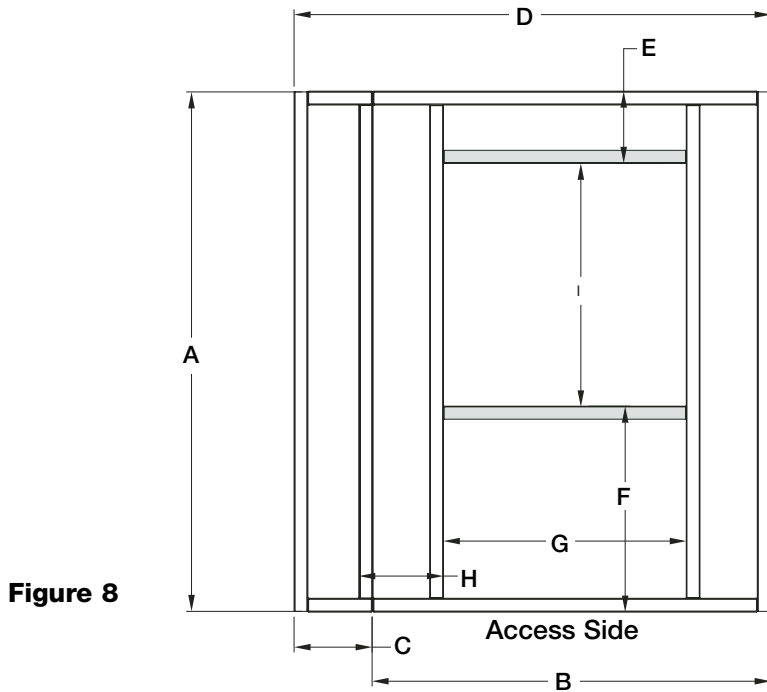


Figure 8

