



Roof Curb and Duct Adapter

Models: ERV-522 & ERV-582

ASSEMBLY INSTRUCTIONS

STEP 1: Unpack and Inspect Parts

Part Description		Quantity	ERV-522	ERV-582
			P/N	P/N
Roof Curb Kit	12 in. high	1	851721	851822
	16 in. high	1	851720	851823
1. End Channel	12 in. high	2	700197	702035
	16 in. high	2	700253	702036
2. Non-Supply Side Channel	12 in. high	2	657259	702039
	16 in. high	2	657262	702040
3. Supply Side Channel	12 in. high	2	657254	702037
	16 in. high	2	657261	702038
4. Center Channel	12 in. & 16 in. high	1	700196	702041
Duct Adapter (12 in. & 16 in. high curbs)				
5. Inner Duct Channel		1	700195	702042
6. Inner Cross Channel		1	700199	702045
7. Duct Cross Channel		1	700193	702044
8. Outer Duct Channel		1	700194	702043
Hardware Kit (for curb & duct adapter)		1	851549	851549
$\frac{3}{8}$ -16 x $\frac{3}{4}$ Serrated Flange Bolts		24	415459	415459
$\frac{3}{8}$ -16 x $\frac{3}{4}$ Serrated Flange Nuts		24	415457	415457
Screws, SMS (A) 12 x 0.625 (IHH)		16	415180	415180

Note: Hardware kit for the 12 in. high and 16 in. high roof curb are the same.

Tools Recommended for Assembly

- Cordless drill
- $\frac{5}{16}$ in. Nut setter
- $\frac{9}{16}$ in. Nut setter
- Open or Closed $\frac{9}{16}$ in. wrench
- Awl — for hole alignment

STEP 2: Assemble Main Curb

Hardware Required: (24) $\frac{3}{8}$ -16 x $\frac{3}{4}$ Serrated Flange Bolts
 (24) $\frac{3}{8}$ -16 x $\frac{3}{4}$ Serrated Flange Nuts
 (2) End Channels
 (1) Center Channel
 (2) Non-Supply Side Channels
 (2) Supply Side Channels

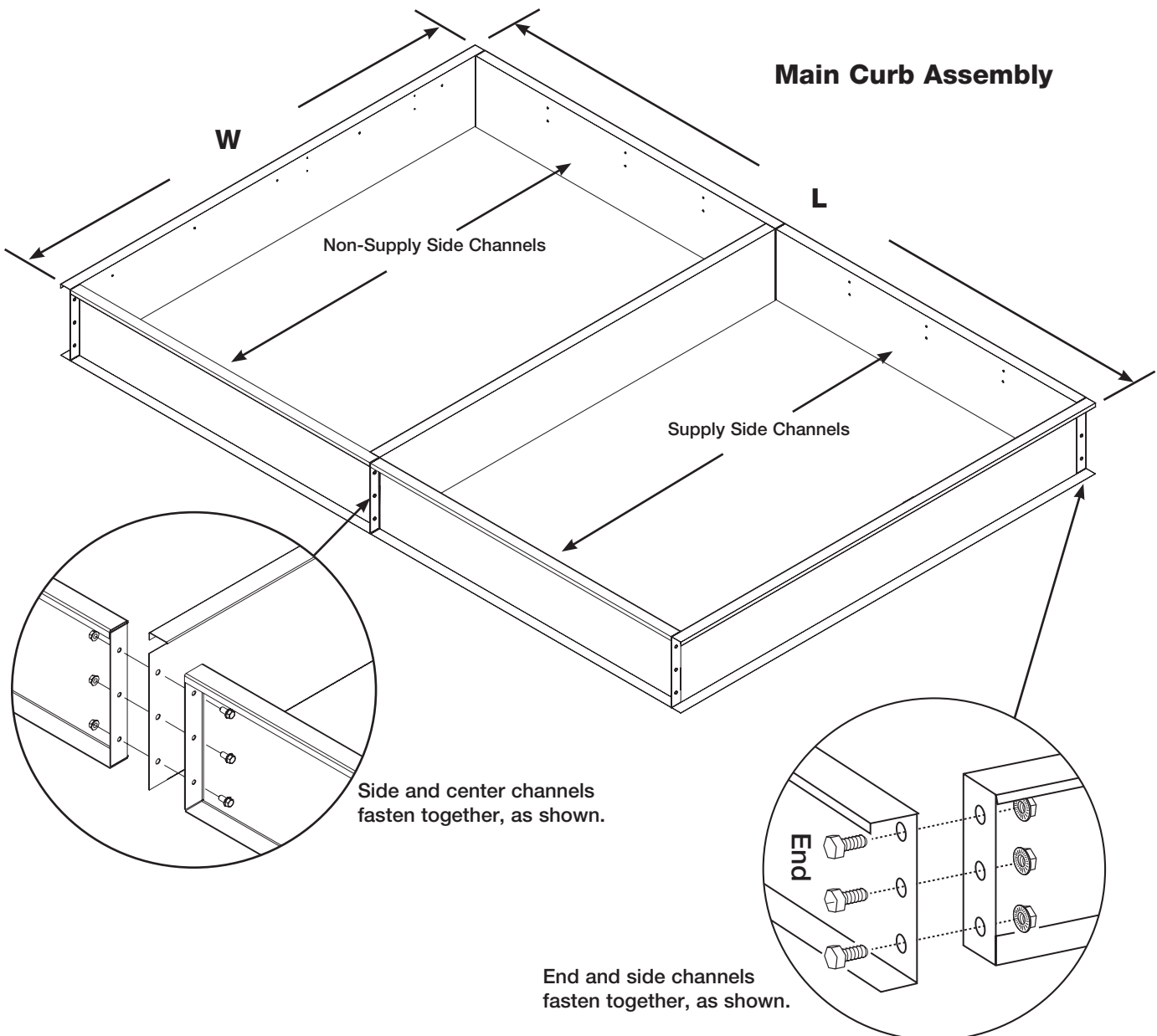
Instructions:

- See **Main Curb Assembly** for positioning the Side, Center, and End Channels.
- Align the holes and fasten as shown below.

Channel Lengths and Overall Curb Dimensions

	Non-Supply Length	Supply Length	End Length	Center Length	L	W
ERV-522	58.37	58.63	80.50	80.50	120.50	80.50
ERV-582	64.88	73.87	92.75	92.75	142.25	92.75

All dimensions in inches.

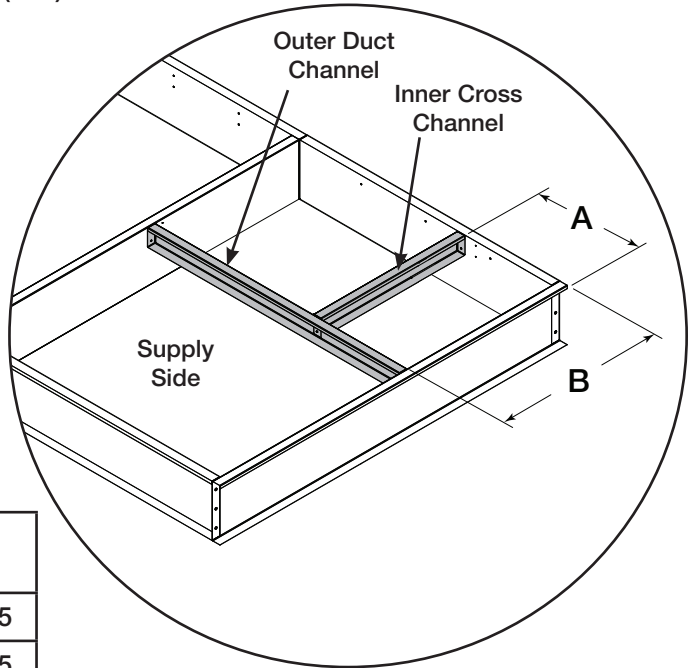


IMPORTANT! *The following steps are for ductwork support. These steps are required only if the ductwork will be installed prior to the ERV unit.*

STEP 3: Fastening Inner Cross and Outer Duct Channel (Items 6 & 8)

Hardware Required: (8) Screws, SMS (A) 12 x 0.625 (IHH)
 (1) Inner Cross Channel
 (1) Outer Duct Channel

- Instructions:**
- Position the Outer Duct Channel as depicted.
 - Align the holes and fasten using (4) 12 x 0.625 (IHH) screws.
 - Position the Inner Cross Channel as depicted.
 - Align the holes and fasten using (4) 12 x 0.625 (IHH) screws.



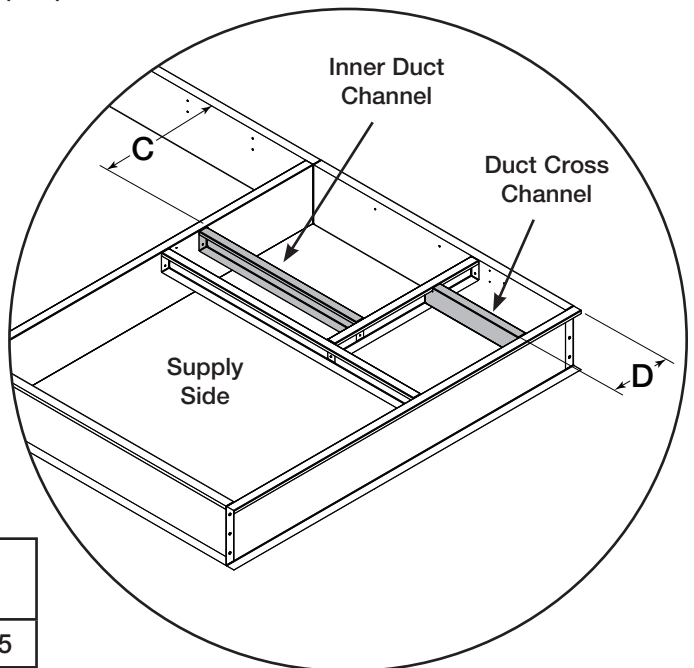
	Inner Cross Length	Outer Duct Length	A	B
ERV-522	23.50	58.60	22.13	25.25
ERV-582	34.50	74.00	35.75	36.25

All dimensions in inches.

STEP 4: Fastening Inner Duct and Duct Cross Channels (Items 5 & 7)

Hardware Required: (8) Screws, SMS (A) 12 x 0.625 (IHH)
 (1) Duct Cross Channel
 (1) Inner Duct Channel

- Instructions:**
- Position the Inner Duct Channel as depicted.
 - Align the holes and fasten using (4) 12 x 0.625 (IHH) screws.
 - Position the Duct Cross Channel as depicted.
 - Align the holes and fasten using (4) 12 x 0.625 (IHH) screws.

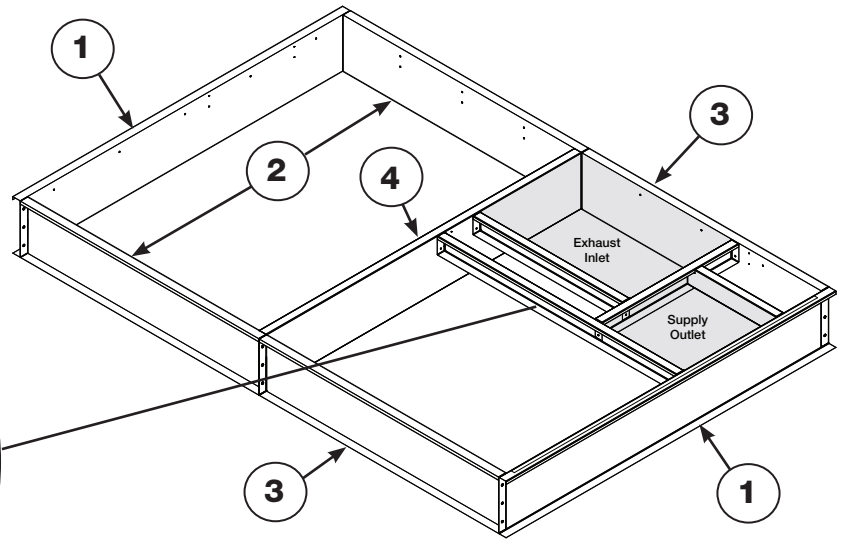
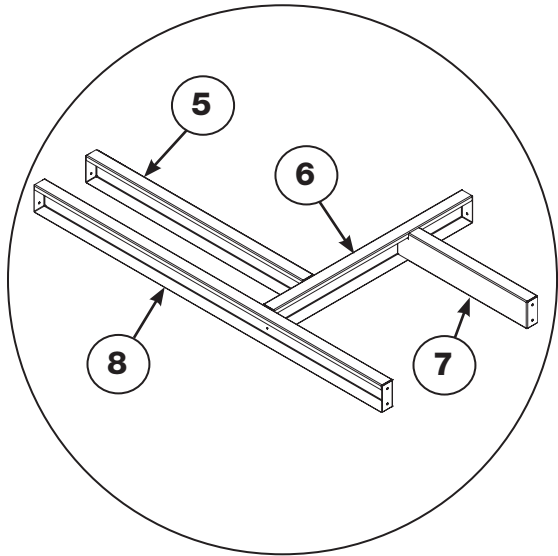


	Duct Cross Length	Inner Duct Length	C	D
ERV-522	22.13	36.50	27.70	12.75
ERV-582	35.75	38.12	32.25	13.00

All dimensions in inches.

ERV-522: Final Roof Curb Assembly

Duct Adapter Assembly



ERV-582: Final Roof Curb Assembly

Duct Adapter Assembly

