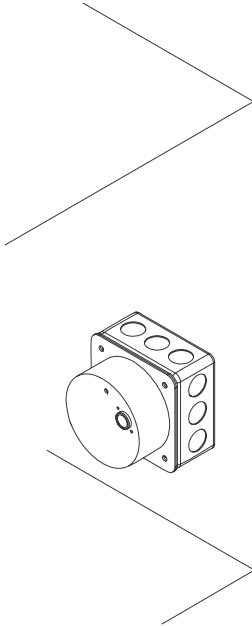
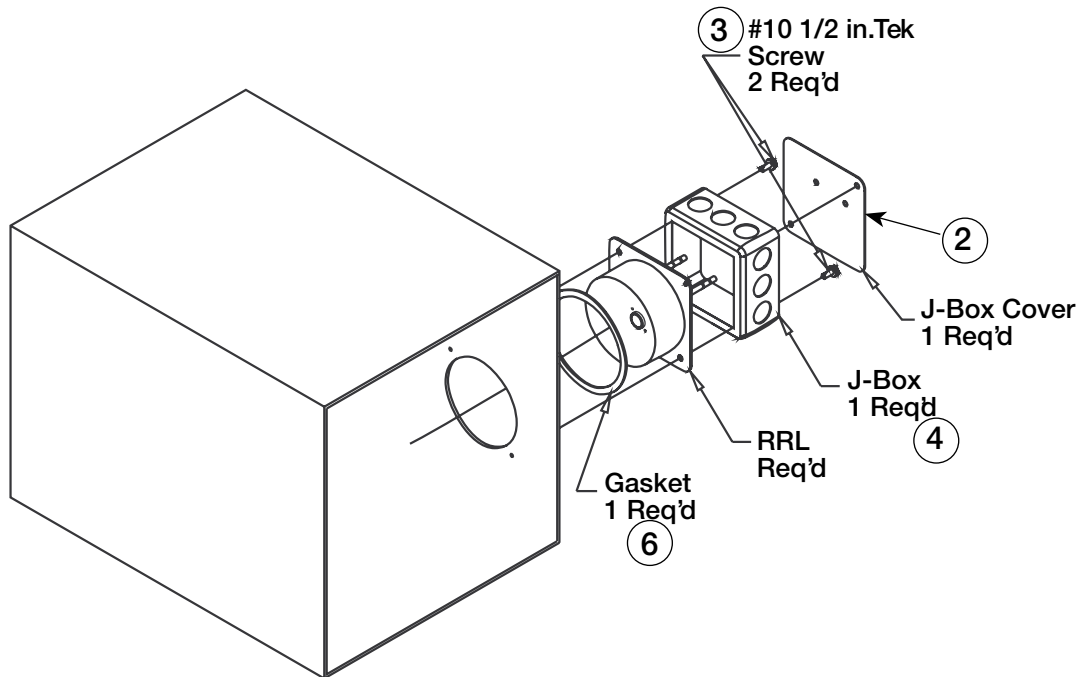


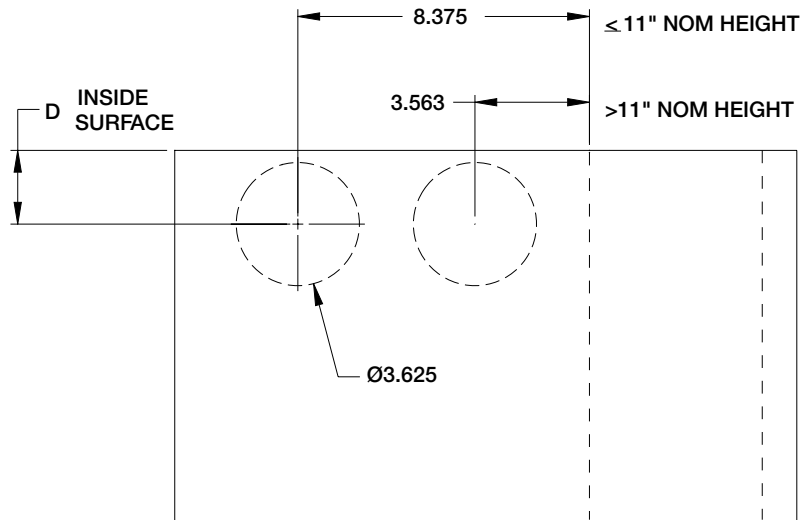
**for RRL (resettable/reusable link) on
FSD, SSFSD, SEFSD, IMO series
Combination Fire Smoke Dampers****Steps to install an RRL in a Fire Smoke Damper:**

- 1) Drill/Saw a 3 5/8 in. (92mm) diameter hole in sleeve (Detail 2).
- 2) Insert OCI unit through hole in sleeve (round end inside).
- 3) Place 4 x 4 in. J-Box over the flange of the OCI unit and align holes.
- 4) Mount control box to sleeve/sideplate with #10-16 x 3/4 in. (19mm) TEK screw (or equivalent) (Detail 1).
- 5) Complete wiring and install J-Box cover.

**Detail 1**

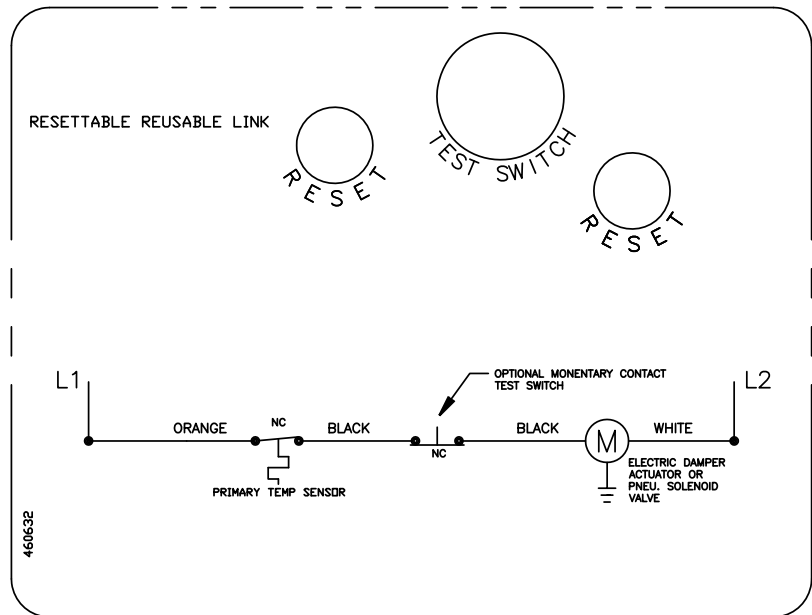
Nominal Section Height	3V Style (D)	Steel Airfoil Style (D)
6-7	2.625	2.625
8	3.125	3.125
9	3.625	3.625
10-11*	2.625	3.625
12-13*	2.625	4.125
14-15*	3.125	4.625
16*	3.625	5.125
17*	4.125	5.625
18	13.125	13.125
19	14.125	14.125
20	14.625	14.625
21	15.625	15.625
22	16.625	16.625
23	17.125	17.125
24	18.125	18.125
25	19.625	19.625
26	20.625	20.625
27, 39, 40, 41	21.625	21.625
28, 42	22.125	22.125
29, 43, 57	23.125	23.125
30, 44, 58	24.125	24.125
31, 45, 55, 56, 59	25.125	25.125
32	26.625	26.625
33, 47	27.625	27.625
34, 46	28.625	28.625
35, 49	29.125	29.125
36, 48	30.625	30.625
37, 51	31.125	31.125
38, 50, 52	32.125	32.125
53	23.625	23.625
54	24.625	24.625
60	4.125	4.125

Detail 2



All dimensions shown in inches.

Wiring Diagram



***Note:** Operator mounted upside down on steel airfoil units from 10 in. to 17 in. (254mm to 432mm)