



Roof Curb and Duct Adapter

Model: ERT

ASSEMBLY INSTRUCTIONS

STEP 1: Unpack and Inspect Parts

Part Description	Qty	ERT-52	ERT-58	ERT-64	ERT-74	
		P/N	P/N	P/N	P/N	
Roof Curb Kit	12 in. high	1	851518	851646	851646	851516
	16 in. high	1	851519	851647	851647	851517
1. End Channel	12 in. high	2	657226	659321	659321	657209
	16 in. high	2	657332	659336	659336	657216
2. Side Channel	12 in. high	4	657227	659322	659322	657210
	16 in. high	4	657333	659337	659337	657217
3. Supply Side Channel	12 in. high	2	—	—	—	657211
	16 in. high	2	—	—	—	657218
4. Center Channel	12 in. & 16 in. high	1	657231	659328	659328	657212

Part Description	Qty	ERT-52	Qty	ERT-58	Qty	ERT-64	Qty	ERT-74
		P/N		P/N		P/N		P/N
Duct Adapter (12 in. & 16 in. high curbs)								
5. Curb Cross Channel	1	657228	2	659328	2	659328	2	657212
6. Duct Side Channel	3	657229	3	659329	3	659329	4	657213
7. Duct Cross Channel	1	657230	2	659330	2	659330	2	657214
Hardware Kit (for curb & duct adapter)	1	851525	1	851523	1	851523	1	851523
3/8-16 x 3/4 Serrated Flange Bolts	24	415459	32	415459	32	415459	32	415459
3/8-16 x 3/4 Serrated Flange Nuts	24	415457	32	415457	32	415457		—
Screws, SMS (A) 12 x 0.625 (IHH)	20	415180	32	415180	32	415180		—

Note: Hardware kit for the 12 in. high and 16 in. high roof curb are the same.

Tools Recommended for Assembly

- Cordless drill
- 5/16 in. Nut setter
- 9/16 in. Nut setter
- Open or Closed 9/16 in. wrench
- Awl — for hole alignment

STEP 2: Assemble Main Curb

Hardware Required: (24 or 32) $\frac{3}{8}$ -16 x $\frac{3}{4}$ Serrated Flange Bolts
 (24 or 32) $\frac{3}{8}$ -16 x $\frac{3}{4}$ Serrated Flange Nuts
 (4) Side Channels
 (2) End Channels
 (1) Center Channel
 (2) Supply Side Channels (for ERT-74 only)

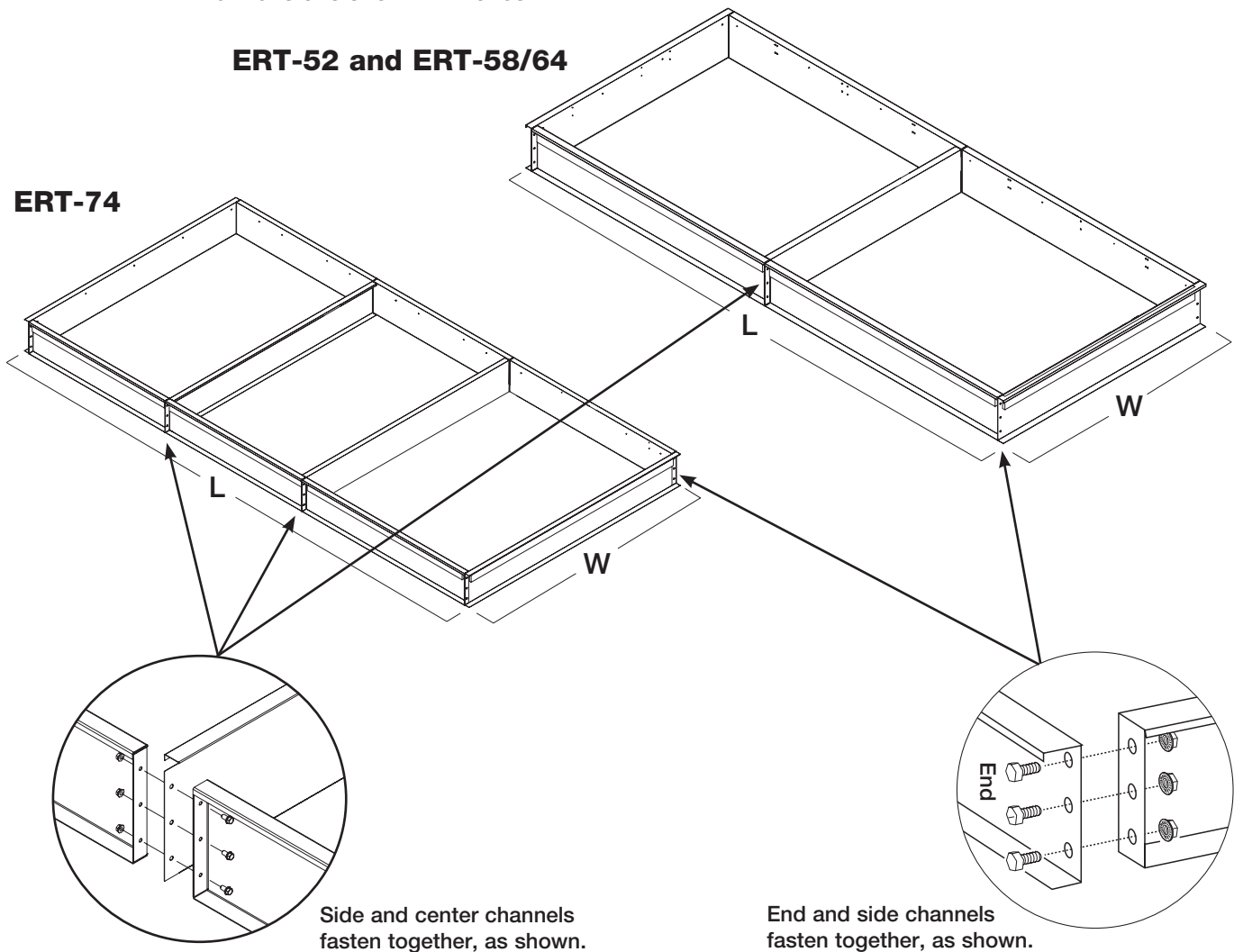
Instructions:

- See **Main Curb Assembly** for positioning the Side, Center, and End Channels.
- Align the holes and fasten as shown below.

Channel Lengths and Overall Curb Dimensions					
	Side Length	End Length	Center Length	L	W
ERT-52	75.25	65.50	65.50	154.50	65.50
ERT-58	88.00	74.75	74.75	180.00	74.75
ERT-64	88.00	74.75	74.75	180.00	74.75
ERT-74	4 @ 59.75	92.75	92.75	195.00	92.75
	2 @ 71.25				

All dimensions shown in inches.

ERT-52 and ERT-58/64

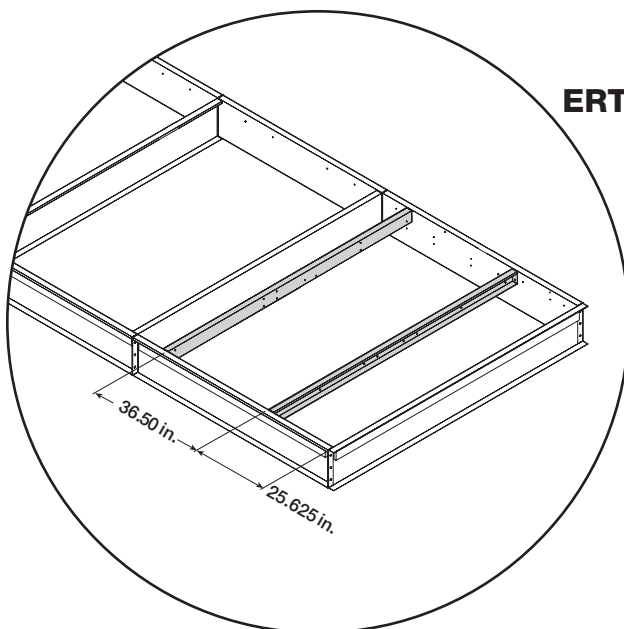
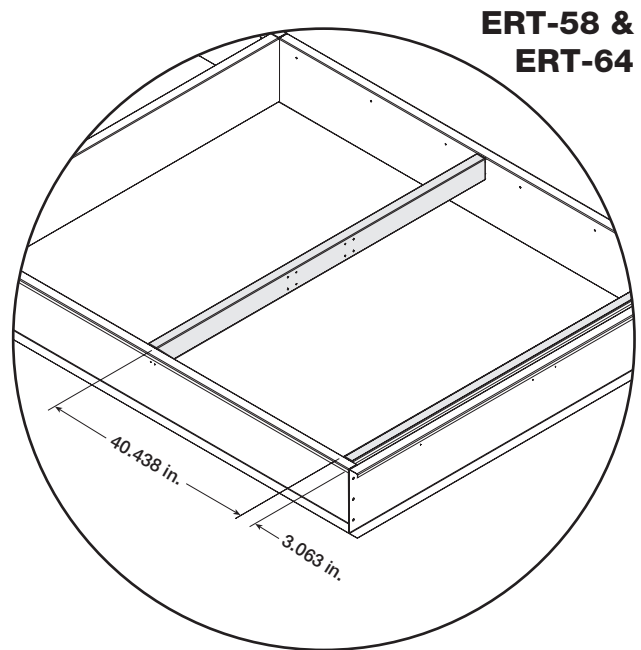
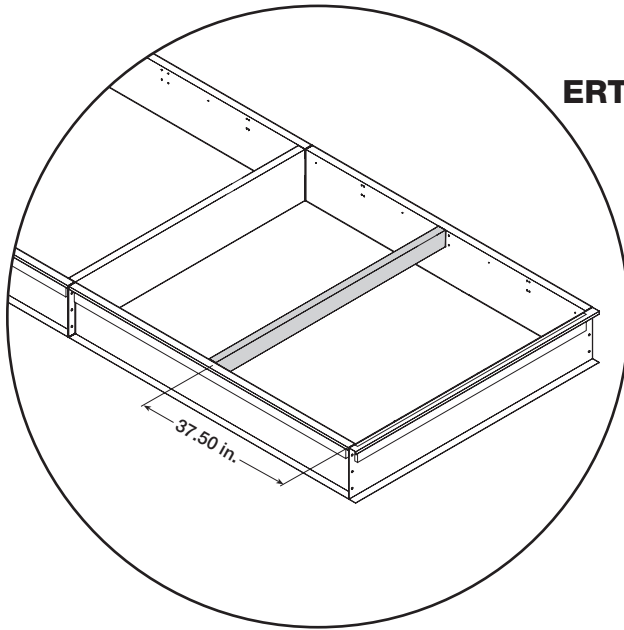


IMPORTANT! *The following steps are for ductwork support. These steps are required only if the ductwork will be installed prior to the ERT unit.*

STEP 3: Fastening Curb End Support and Curb Center Support Channel (Items 4 & 5)

Hardware Required: (8) Screws, SMS (A) 12 x 0.625 (IHH)
(1 or 2) Curb Cross Channel

- Instructions:**
- Position the Curb Cross Channel
 - Align the holes and fasten using (4) 12 x 0.625 (IHH) screws.



STEP 4: Fastening Duct Cross and Side Channel(s) to Curb Cross Channels and Main Curb Assembly

Hardware Required: Screws, SMS (A) 12 x 0.625 (IHH)

Quantity: ERT-52

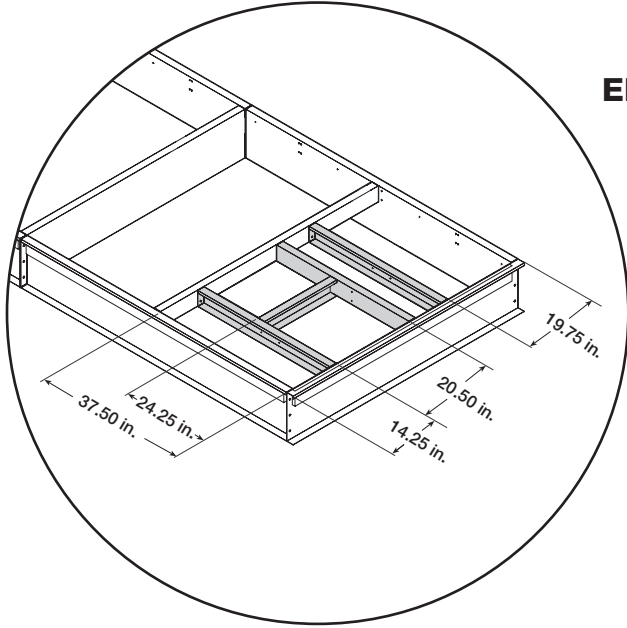
(16) of the above screws are needed to attach the Duct Cross and Side Channels to the Curb Cross Channel and Main Curb Assembly

ERT-58/64 and ERT-74

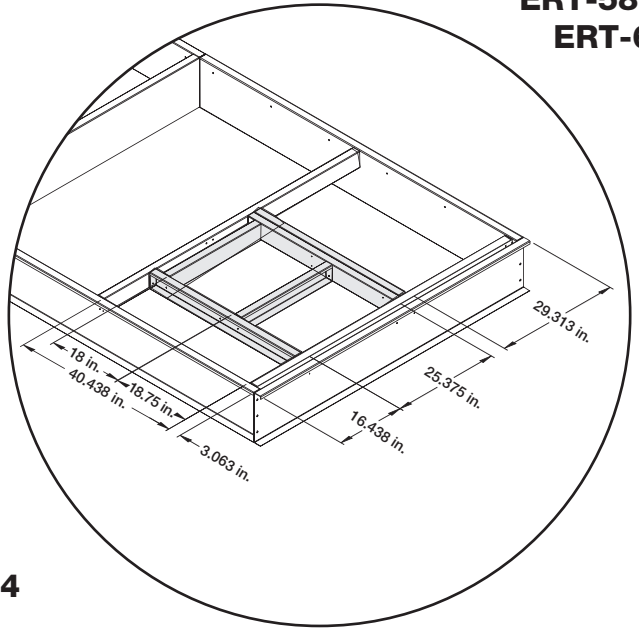
(24) of the above screws are needed to attach the Duct Cross and Side Channels to the (2) Curb Cross Channels

- Instructions:**
- Position the Duct Cross and Side Channels (shown in gray) as depicted
 - Align the holes and fasten using the above hardware.

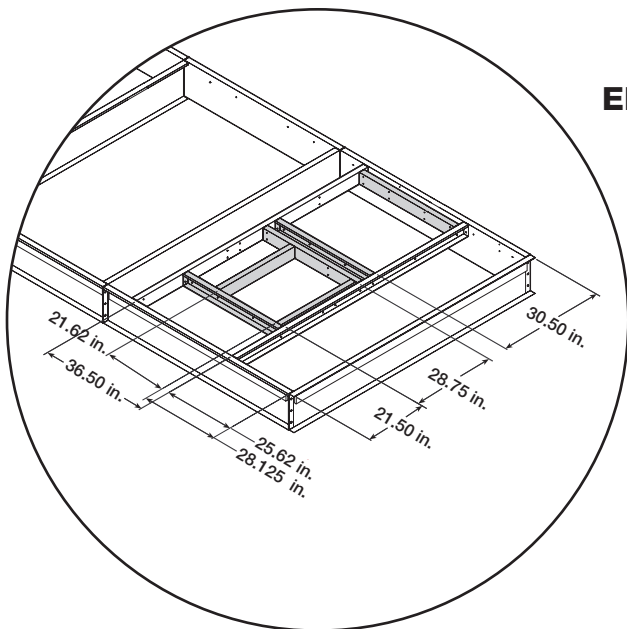
ERT-52



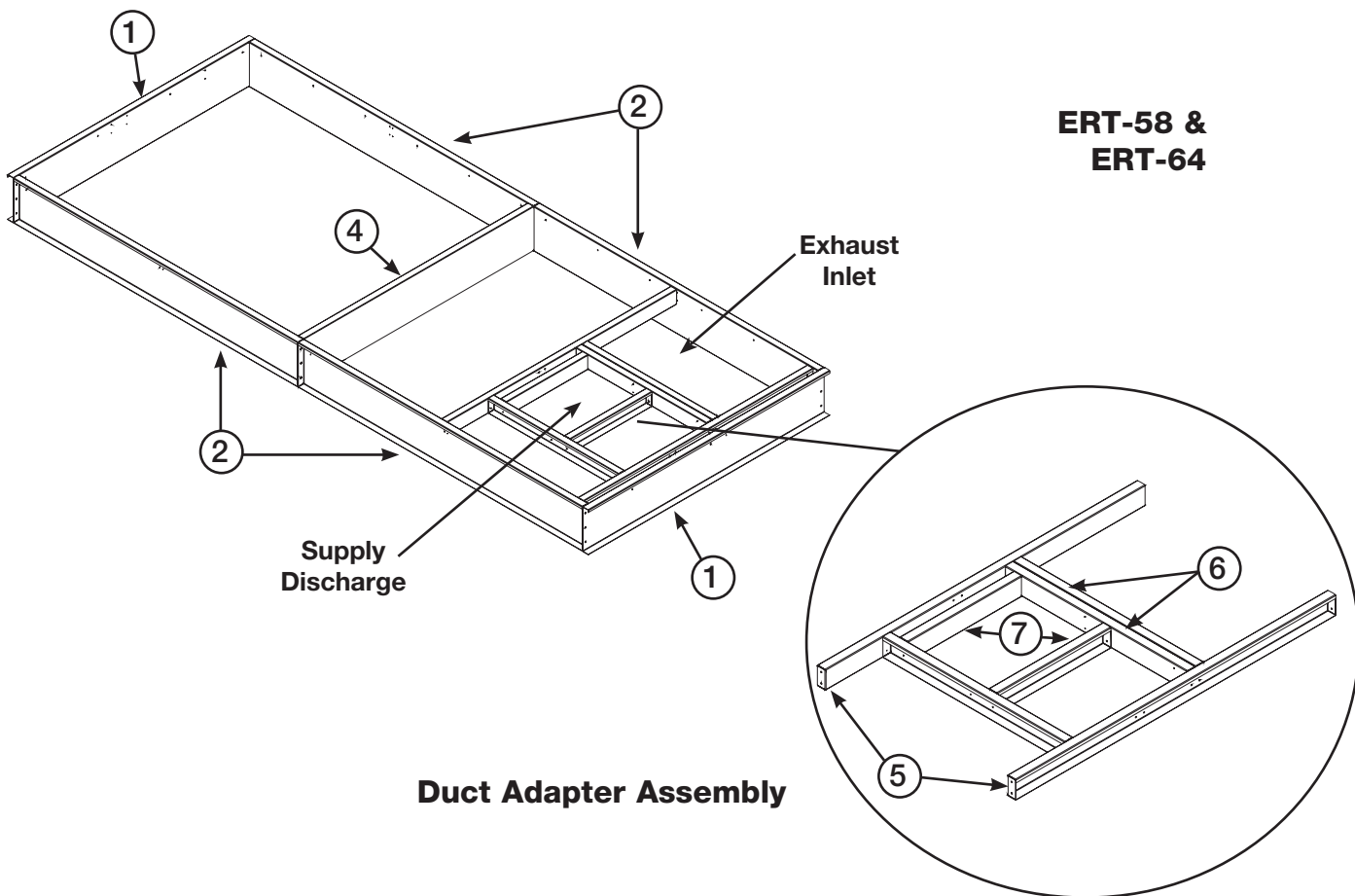
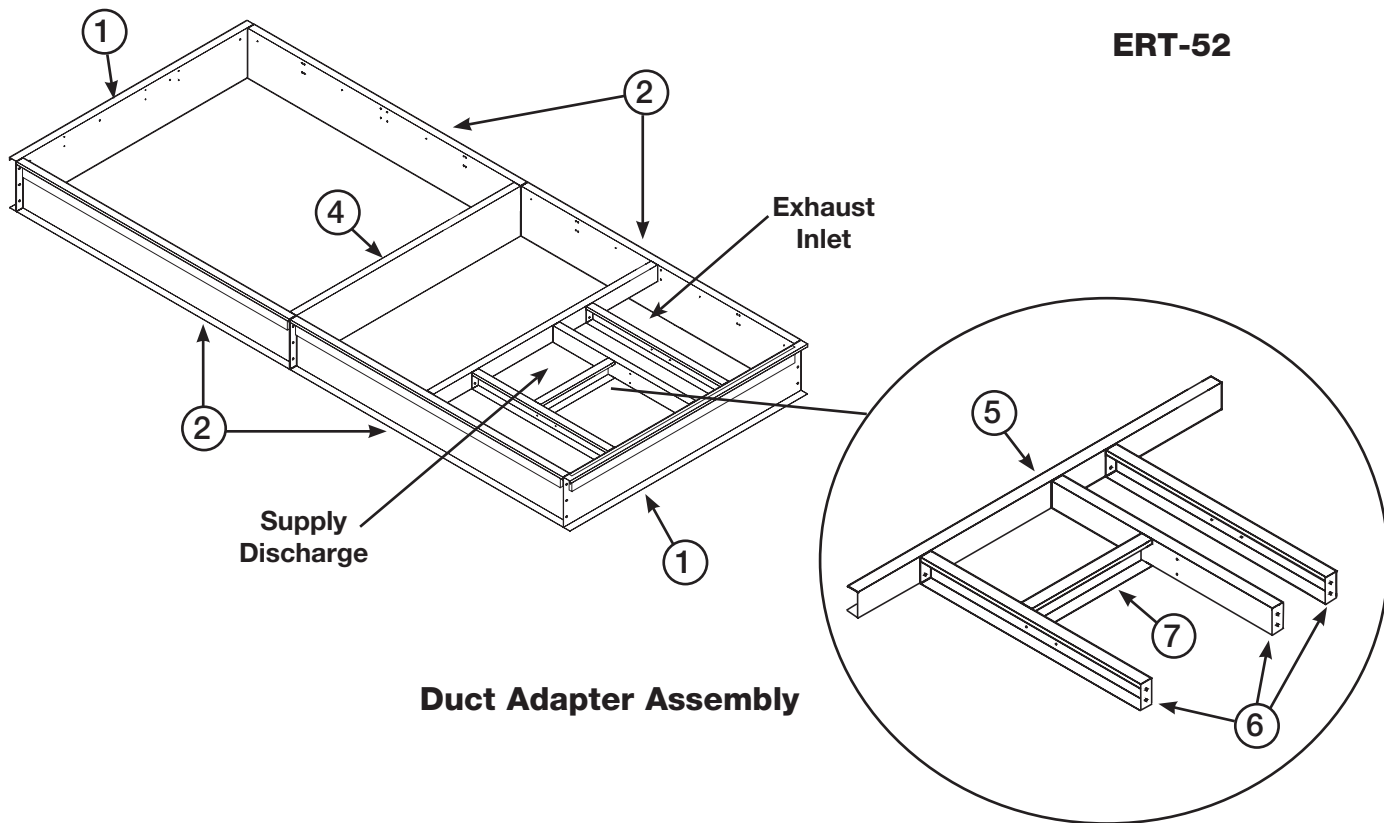
ERT-58 & ERT-64



ERT-74



STEP 5: Final Roof Curb Assembly



STEP 5: Final Roof Curb Assembly

