

## Assembly Instructions

Please read these instructions carefully before attempting to assemble the product described. Protect yourself and others by observing all safety information. Failure to comply with instructions could result in personal injury and/or property damage!

### Step 1: Unpack and Inspect Parts

Parts List	Exhaust / Supply Fans									
	Fan Size / Quantity of Parts per Fan Size									
Parts Description	18	20	24	30	36	42	48	54	60	72
Fan / Base Assembly	1	1	1	1	1	1	1	1	1	1
Hood Support Rail Assembly	2	2	2	2	2	2	2	2	2	2
Side Birdscreens (Long Screens)	2	2	2	2	2	2	2	2	2	2
Side Birdscreens (Short Screens)	2	2	2	2	2	2	2	2	2	2
Hood Rails	2	2	2	2	2	2	2	2	2	2
Hood Panels including 1 Male & 1 Female hood enclosure panel	4	4	5	6	7	8	9	9	10	11
Hood Clips for sizes 54 - 72	-	-	-	-	-	-	-	16	18	20

Shaded sizes will always ship fully assembled unless otherwise specified.

Each fan that is shipped knocked down has the following hardware package containing:

**Part # 816529 - Hardware Package**

**Part # 816526 - Hood Support Fasteners**

- (16) 3/8" - 16 x 3/4" Spinlock Bolts
- (12) 3/8" - 16 Spinlock Nuts

**Part # 816527 - Hood Fasteners**

- (75) #12 x 3/8" Sheet Metal Screws with Washer
- (4) 3/8" - 16 x 1-1/2" Spinlock Bolts
- (4) 3/8" - 16 Spinlock Nuts

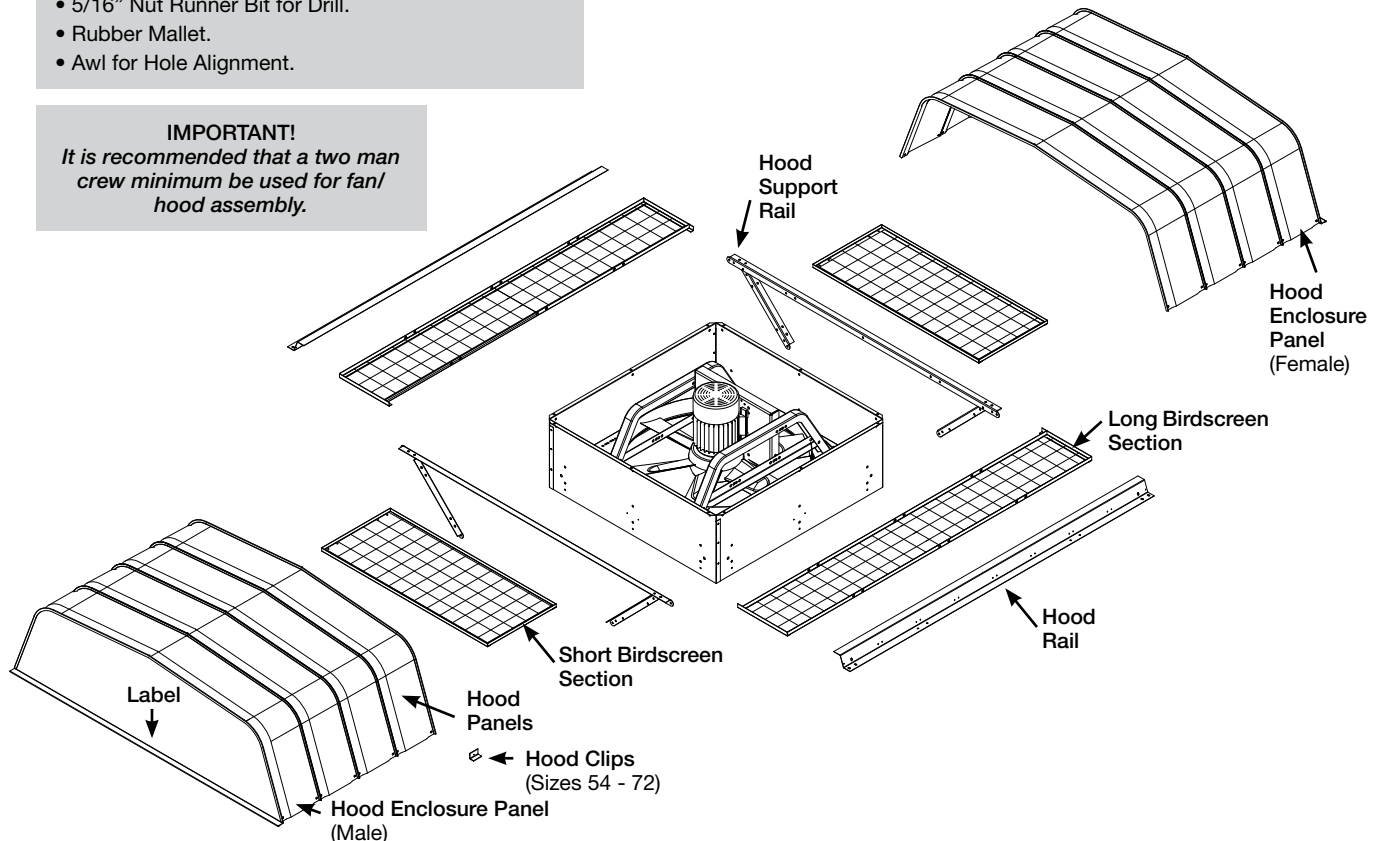
**Part # 816528 - Birdscreen / Filter Fasteners**

- (26) 5/16" - 18 x 3/4" Weld Stud Bolts
- (26) 5/16" - 18 Spinlock Nuts
- (4) #12 x 3/4" Self-Drilling Screws w/ Washer

#### Tools required to assemble fans:

- Battery Drill, Electric or Pneumatic preferred.
- 3/8", 7/16", 1/2", and 9/16" Wrenches and Sockets.
- 5/16" Nut Runner Bit for Drill.
- Rubber Mallet.
- Awl for Hole Alignment.

*Note: Hardware package is designed for the filtered 72" fan. When used on smaller sizes, there will be some fasteners left over.*



## Step 2: Fasten Hood Support Rails

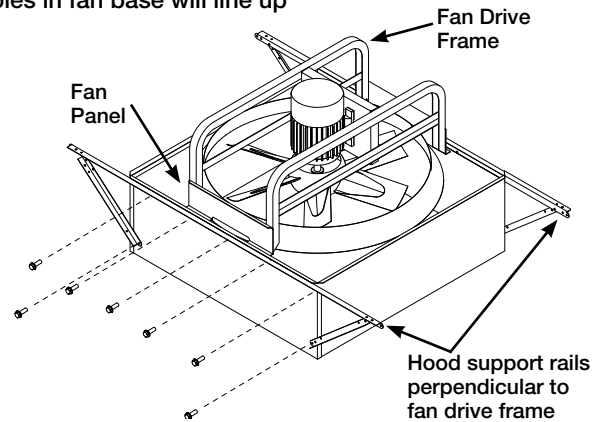
**Hardware Required:** Hardware Package #816526  
3/8" - 16 x 3/4" hex head spinlock bolts & nuts

**Quantity:** Up to (8) fasteners per side for 72" fans, less required for smaller sizes.

**Instructions:** **WRENCH TIGHTEN** the hood support rails to fan base with rails perpendicular to fan drive frame as shown. Mounting holes in fan base will line up with holes in hood support rails.

### IMPORTANT!

Supply Fans (Models RBS, RBCS, RS2, RCS3)  
The fan panel bolts are also used for the hood support rails. Remove fan panel bolts (one side at a time) and reinstall through the hood support rails.

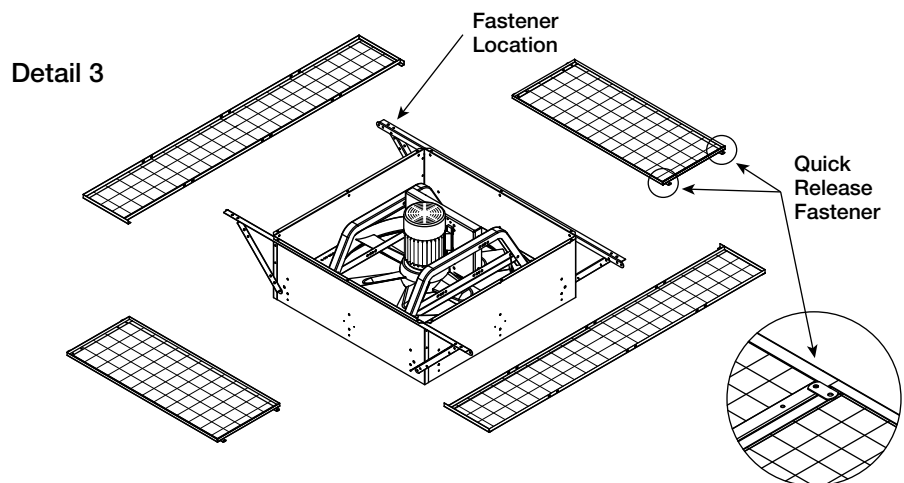


## Step 3: Install Birdscreen Sections

**Hardware Required:** Hardware Package #816528  
5/16" - 18 x 3/4" weld studs and spinlock nuts

**Quantity:** Only 10 sets required of the 26 sets provided.

**Instructions:** **A) FINGER TIGHTEN** the long birdscreen sections to the hood support rails at the locations indicated using the 10 sets of fasteners.  
**B) Lay** the short birdscreen sections in place and rotate the quick release fasteners on the underside of the birdscreen to secure. (See Detail 3).

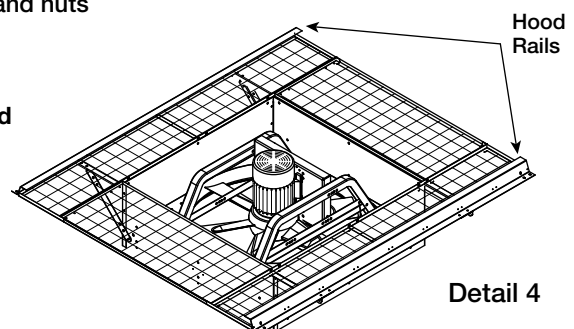


## Step 4: Install Hood Rails

**Hardware Required:** Hardware Package #816527  
3/8" - 16 x 1-1/2" hex head spinlock bolts and nuts

**Quantity:** 4 sets

**Instructions:** **A) Position** the (2) hood rails as shown and **FINGER TIGHTEN** the fasteners. These fasteners will be wrench tightened in **Step 5D** after the hood panels are installed and secured.  
**B) WRENCH TIGHTEN** the fasteners in the long birdscreen sections.



## Step 5: Install Hood Panels

**Hardware Required:** Hardware Package #816527  
#12 x 3/8" Sheet Metal Screws with Washer

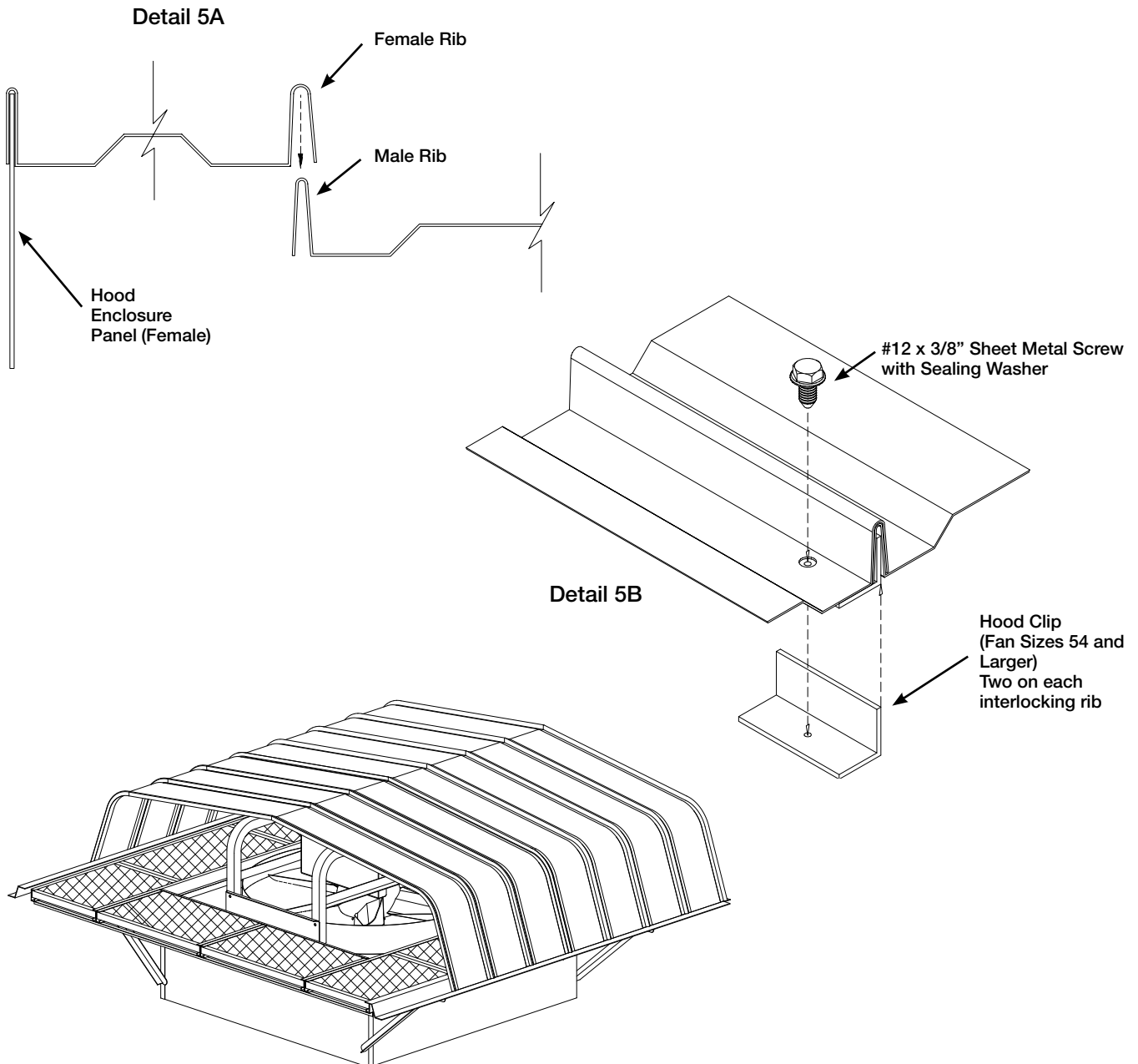
**Quantity:** 75 pieces required for 72" fan, less required for smaller sizes.

**Instructions:** **A)** Locate the **(MALE) hood enclosure panel**. This panel has a label that reads "Male hood enclosure panel. Start with this assembly first." This is the starter panel. Place this panel on the hood rails and fasten tight with (4) screws.

**B)** Install the intermediate panels one at a time. The panels have interlocking ribs. (see detail 5A). **For fan sizes 54 and larger, hood clips must also be installed on each panel. Each panel is predrilled for hood clip installation (see detail 5B).** Secure each hood clip with a screw and secure each intermediate panel to the hood rails with (4) screws.

**C)** Install the **(FEMALE) hood enclosure panel**. Secure this panel to the hood rails with (4) screws. To install the hood clips, remove the short birdscreen section by loosening the quick release fasteners to gain access to the underside of the hood. Reinstall the end birdscreen after hood clips are installed.

**D) WRENCH TIGHTEN** the (4) bolts that secure the hood rails to the hood support rails.



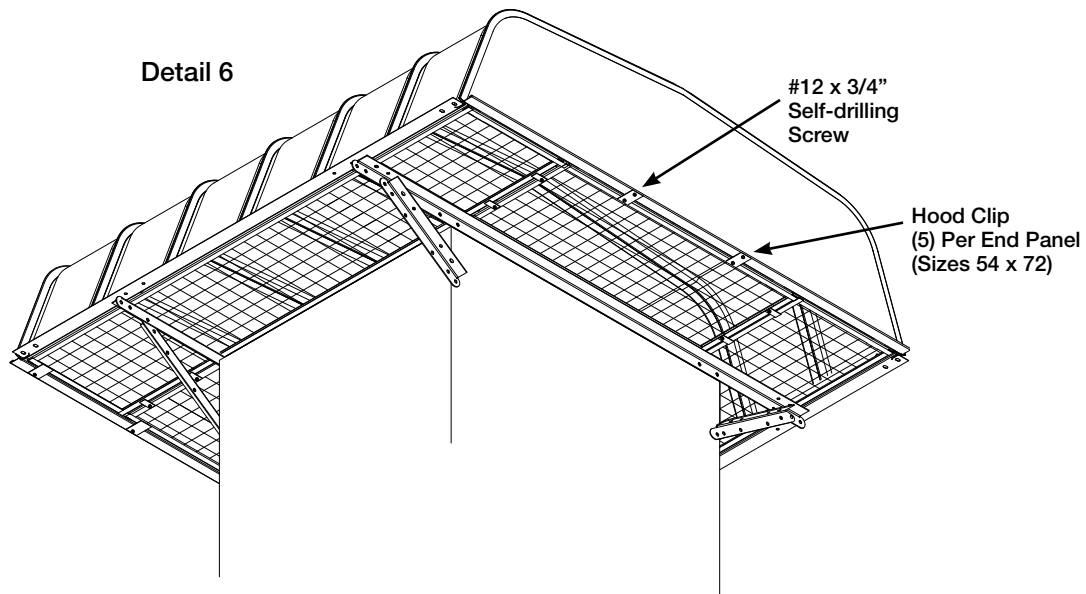
## Step 6: Secure Hood and Birdscreen (sizes 54-72 only)

**Hardware Required:** Hardware Package #816528  
#12 x 3/4" Self-drilling Screws with Washers

**Quantity:** 4 pieces. (2) required per hood, (2) extras

**Instructions:** **A)** With birdscreen and hood installed, locate the birdscreen clips (5 per hood end panel). Loosen the fasteners and rotate them 90° so that they support the birdscreen. Retighten fasteners.

**B)** Locate the center birdscreen clip on each hood end panel. Push hood end panel against birdscreen. Install the #12 x 3/4" self-drilling screw with washer (1 per end panel) thru birdscreen clip into birdscreen frame. (See Detail 6).



Phone: (715) 359-6171 • Fax: (715) 355-2399 • E-mail: [gfcinfo@greenheck.com](mailto:gfcinfo@greenheck.com) • Website: [www.greenheck.com](http://www.greenheck.com)