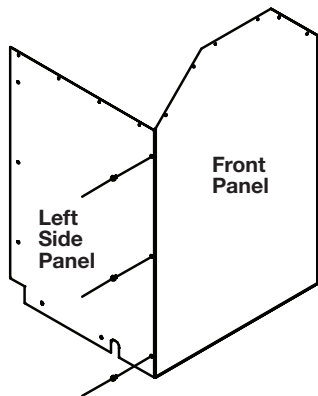
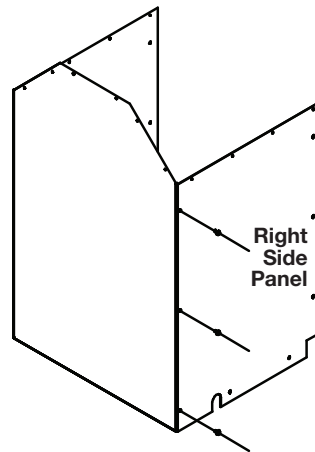


Weatherhood Assembly Instructions

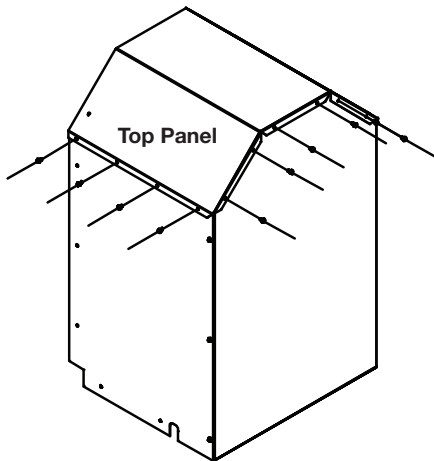
NOTE: Mounting holes shown are for instruction purposes only.
The actual number of holes will vary depending on unit size.



1. Attach left side panel to the front panel using #12 x 1/2" self-threading sheet metal screws.



2. Attach the right side panel to the front panel.



3. Attach the top panel.

4. Install weatherhood assembly onto blower and attach to blower with self-drill (TEK) fasteners.

