

# Roof Curb

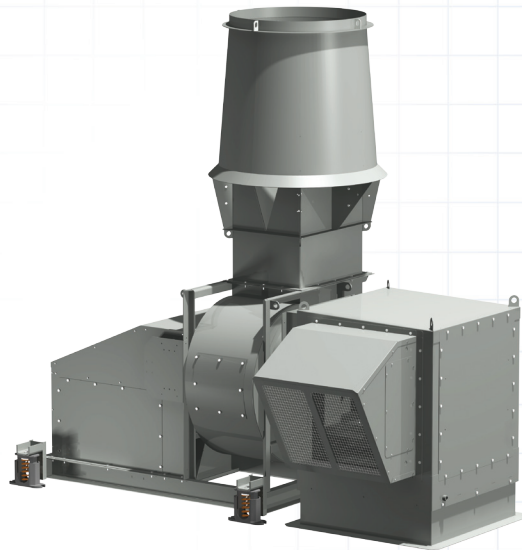
for Vektor Laboratory Exhaust



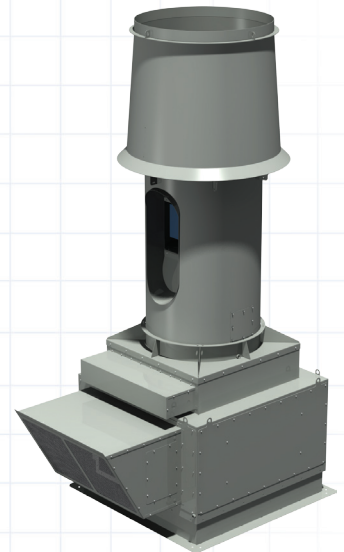
*Greenheck's Roof Curbs are designed to meet the structural and design requirements of Vektor laboratory exhaust systems. All curbs are constructed of reinforced, corrosion-resistant heavy gauge steel to provide a solid mounting structure, designed for ease of installation.*



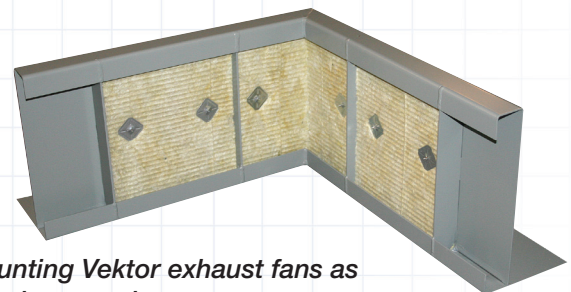
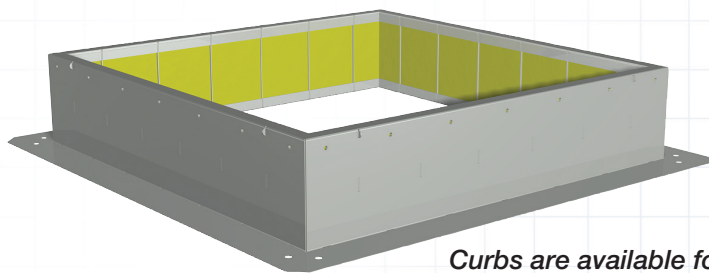
**GPFHL**  
Vektor™-H



**GPFHL**  
Vektor™-CD



**VKCURB**  
Vektor™-MD



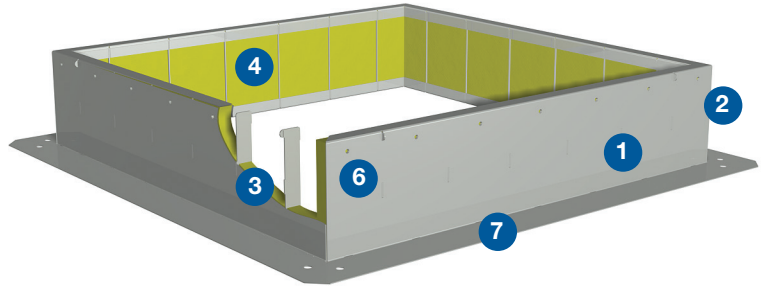
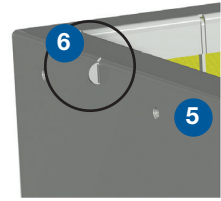
*Curbs are available for mounting Vektor exhaust fans as well as single or multiple bypass plenum systems.*

## Advantages:

- All roof curbs are specifically designed to handle load requirements of Vektor laboratory exhaust systems
- Curbs can be preshipped to allow for jobsite preparation prior to Vektor lab exhaust system delivery
- VKCURB and GPFHL curbs can be shipped in sections to accommodate limited access installations
- Pitched curbs are available for proper system installation on pitched roofs
- All Vektor™ curbs are designed to withstand 125 mph (200 km/hr) wind-loads without the use of guy wires

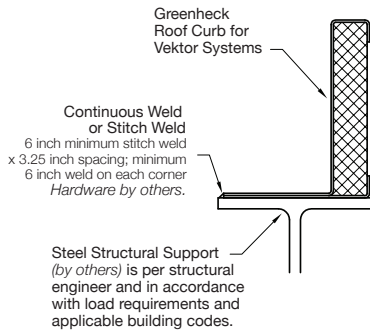
# Vektor Roof Curb Features and Options

- 1 Formed and welded, galvanized or corrosion-resistant coated steel construction
- 2 Standard curb height is 12 inches (30 cm) with optional heights up through 36 inches (90 cm)
- 3 Curbs include formed steel support framework for added structural integrity
- 4 Optional one-inch (25 mm) insulation is available to prevent the formation of condensation
- 5 Pre-drilled curb cap mounts for connection to the fan or bypass plenum curb cap (Vektor-MD only)
- 6 Curb cap guides help center the fan or bypass plenum on the curb (VKCURB only)
- 7 Five-inch flange for mounting to the roof deck

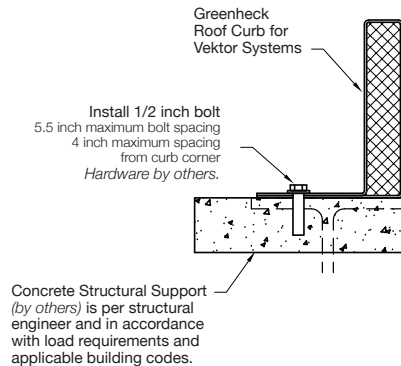


Vektor Roof Curb Features and Options	GPFHL Vektor™-H	VKCURB Vektor™-MD	GPFHL Vektor™-CD
Standard Construction	Galvanized (Coated Optional)	Coated Steel	Galvanized (Coated Optional)
Minimum Material Gauge	14 Gauge	12 Gauge	14 Gauge
One-inch (25 mm) Insulation	Optional	Optional	Optional
Pitched Curbs	Optional	Optional	Optional

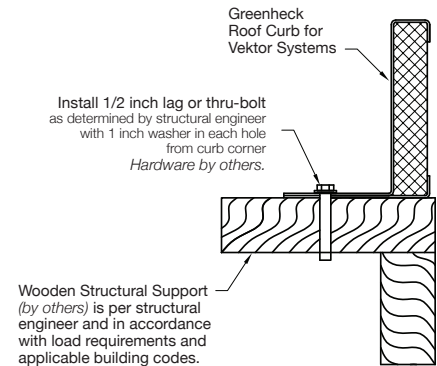
## Steel



## Concrete

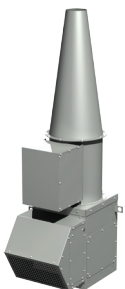


## Wood

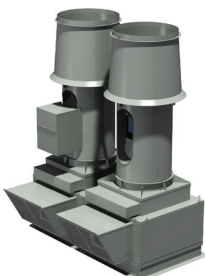


## Vektor Family of Lab Exhaust Systems

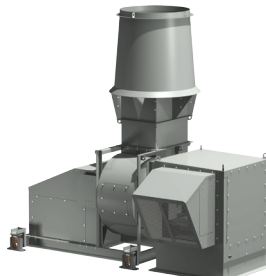
Vektor™-H



Vektor™-MD



Vektor™-CD



Vektor™-ERS-MD



Prepared to Support Green Building Efforts