

Gravity Ventilators

Models FGI/FGR, GRSI/GRSR, WIH/WRH and RGU
Intake and Relief



BUILDING VALUE IN AIR.



November
2014

The Gravity Intake and Relief ventilators are non-powered and work on pressure differential between the inside and outside of the building.

Fabra Hood

4



Designed for intake or relief applications, the Fabra Hood models FGI or FGR offer many important advantages over other gravity roof ventilators. It is superior in load bearing strength, weather-resistance, dimensional flexibility and appearance.

Models FGI and FGR	4-7
Dimensions and Performance Data	8-13

Spun Aluminum

14



For natural gravity or positive pressure systems, intake model GRSI or relief model GRSR, offers excellent performance and durability. Featuring an exceptional low silhouette design and rugged construction this model is both efficient and economical.

Model GRSI and GRSR	14
Dimensions and Performance Data	14-15

Louvered Penthouse

16



The WIH intake or WRH relief penthouse units offer an aesthetically pleasing design. This flexible design allows for units to be shipped in pre-assembled sections that can be easily assembled without special tools.

Models WIH and WRH	16
Dimensions and Performance Data	16-17

Upblast Ventilator

18



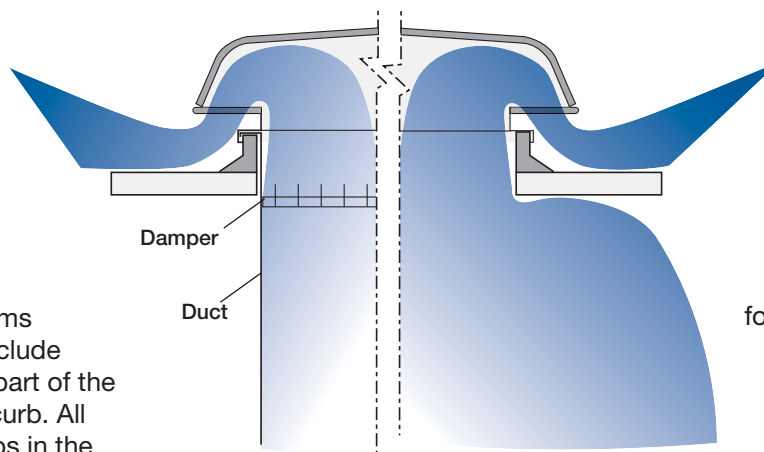
Model RGU is designed for use as an outlet on vertical high velocity exhaust systems. The RGU can be furnished with or without the curb cap for mounting directly on round stacks.

Model RGU	18
Dimensions and Performance Data	18

All Ventilator Specifications	19
Greenheck Services	20

Model Comparison				
Model	Intake	Relief	Performance	
			Maximum Volume (cfm)	Maximum Static Pressure (in. wg)
GRSI	✓		15,200	0.4
GRSR		✓	18,400	0.4
FGI	✓		109,800	0.4
FGR		✓	96,800	0.3
WIH	✓		50,000	0.2
WRH		✓	60,000	0.2
RGU		✓	60,000	0.5

System Resistance



Ducted Systems

Static pressure drops shown for ducted systems in this catalog do not include pressure drops for any part of the system below the roof curb. All additional pressure drops in the ducted system must be calculated by the system designer.

Non-ducted Systems

Static pressure drops shown for non-ducted systems in this catalog include all entrance and discharge losses.

Performance Data

Performance data shown on models include static pressure drops for both ducted and non-ducted systems. Pressure drop values as shown are lower for ducted systems than for non-ducted systems. The non-ducted pressure drop includes the sudden expansion at the throat for intake and sudden contraction loss at the throat for exhaust. These losses are not present when a duct is attached to the throat. In calculating total system

resistance for ducted systems, it is necessary to add the pressure drop values shown to the combined total of the other losses in the system. A damper installed in either a ducted or non-ducted system will also require that an additional pressure drop value be included. Where insect screens or filters are installed, the static pressure drops shown on page 6 should be included in system resistance calculations in lieu of standard cataloged pressure drops.



Fabra Hoods are designed for intake (model FGI) or relief (model FGR) applications. The Fabra Hood design offers many important advantages not found in other gravity roof ventilators. It's design is superior in appearance, load-bearing strength, weather-resistance and dimensional flexibility.

Appearance

The clean lines and uniform structural design of the Fabra Hood complement any building's appearance. The Fabra Hood is designed with a low profile to mount close to the roof line. The result is minimum impact on the building silhouette.

Strength and Weather-Resistance

These hoods are strong enough to handle the snow loads found in even the harshest of northern climates and they have proven their ruggedness. The key to the Fabra Hood's strength and rigidity is in the design of the arched hood panels. Each panel provides its own structural support and is formed with interlocking edges. The result is a strong, rigid shell without the obstruction and performance losses of excessive internal support braces. The interlocking ribs also create tight, weather-resistant joints. No caulking or caps are required to seal out rain and snow.

Third Party Certified for High Wind

Miami-Dade, Notice of Acceptance (NOA) - 14-0513.10
Florida Product Approval (FLPA) - FL12917

Maximum High Wind Certifications Sizes		
Model	Throat Diameter	
	Width inches (mm)	Length inches (mm)
FGI	54 (1372)	54 (1372)
FGR	66 (1676)	66 (1676)

- Highest industry rating
- Fabra Hoods are certified for static and cyclic wind loading and missile impact
- Designed to withstand wind loads of up to 150 mph (241 km/hr)
 - > No tie downs are needed
- Installation/mounting details are provided

Performance

The rounded inner surfaces of the Fabra Hood's arched panels promote a smooth, uninterrupted flow of air to reduce pressure losses. Cataloged performance data is assured through extensive air testing of both ducted and non-ducted installations with standard birdscreens in place. Intake and relief units differ in size and performance. It is important to note that the "free area" (the opening surrounding the throat) is larger for intake hoods. This larger free area (twice the area of the throat) limits the entry of airborne debris and moisture by creating lower intake air velocities. Since relief units are not affected by velocity considerations, free area is equal to throat area. Consequently, the smaller overall dimensions of relief units result in lower cost.

Broad Range of Sizes

Model FGI (intake) and FGR (relief) are available in throat sizes ranging from a minimum of 8 inches (203 mm) wide by 8 inches (203 mm) long to a maximum of 72 inches (1829 mm) wide by 180 inches (4572 mm) long. The complete range of suggested throat sizes is shown on pages 8-13. Other sizes are also available in increments of one inch within the limits shown.

Shipping

Most Fabra Hoods ship assembled until they are too large to fit in a semitrailer. See page 8-13 for specific dimensional data.

Assembly

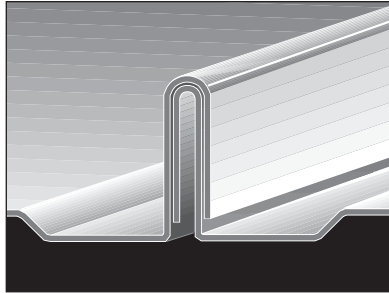
With the Fabra Hood's interlocking rib design, hoods of long lengths can be constructed on the jobsite. Where the appearance of a single unit is desired, large roof openings can be covered using a single hood. This also represents a cost savings in working with a single roof penetration. Neither special tools nor training are required for assembly. See page 7 for details.

Fabra Hood Construction Features

Precision Formed Locking Rib System

Strength, weather tightness and adjustable lengths are the primary advantages of the Fabra Hood's arched, interlocking hood panels. A single precision roll forming operation creates the rib, the adjacent channel and the arch. All three features work in combination for rigidity and efficient water drainage.

Fabra Hoods are available with hood panels and bases constructed of aluminum or galvanized steel as specified.



Accessibility

Fabra Hoods are designed for ease of access to allow inspection and maintenance of screens, filters and dampers. There are two options for opening the hood:

1. Completely lift the hood off the base by removing the bolts on all the support members.
2. Hinged hood action allows the hood to swing up and over to lie on the roof deck by removing the end bolts on only one side of the support member.

NOTE: For safety, it is not recommended to use this hinging function with larger hoods or to prop any hood part way open. Care should be taken to avoid handling an unbolted hood in strong winds, especially with larger size units.



1 Hood panels

Panels are arched and precision roll formed for strength and weather tightness. The design and construction provides sufficient structural strength to allow inlet and outlet areas to be virtually unobstructed by support members.

2 Birdscreens

Standard birdscreens are constructed of 1/2-inch (13 mm) galvanized steel mesh for minimum restriction of airflow.

3 Support members

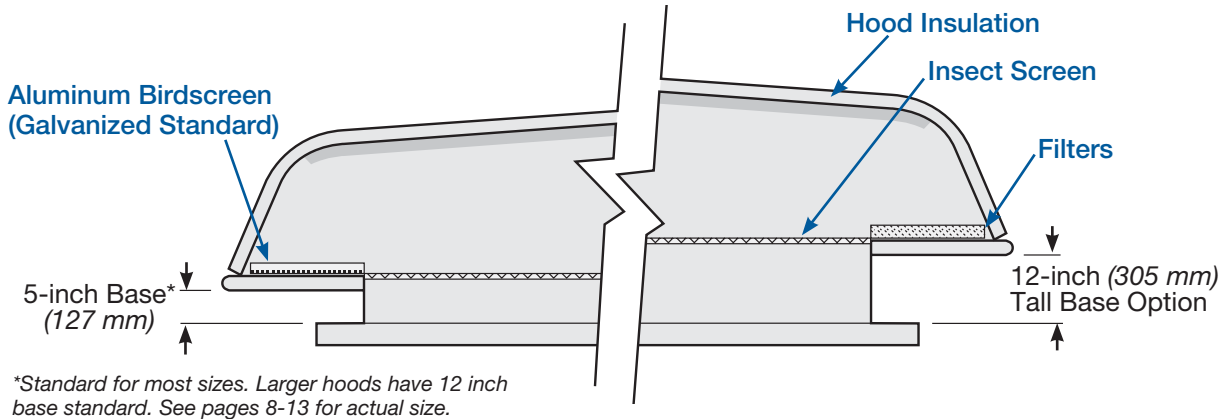
Heavy-gauge galvanized steel support members provide additional structural strength as well as a hood/base interface. On larger hoods, truss braces are added for increased strength.

4 Standard base

Standard base height is 5 inches (127 mm) for most sizes. Bases include prepunched mounting holes for ease of installation. The curb cap is 6 inches (152 mm) larger than the throat size to minimize airflow restrictions. Reinforced steel hood support members are securely attached to the base and direct hood loads to the roof curb. 12 inch (305 mm) bases are optional. See page 6 for details.

5 Vertical end panels

Vertical panels are fully locked into the hood end panels.



12-inch tall bases

12-inch (305 mm) bases are recommended for intake applications to prevent moisture entry and for all applications where rain or snow may accumulate on the roof deck. On larger size units, a 12-inch (305 mm) base will provide more clearance space from the roof deck and allow for better airflow.

Fiberglass hood insulation

Either 1/2-inch (13 mm) or 1-inch (25 mm) insulation can be factory applied to the underside of the hood to prevent condensation. Insulation is also factory applied to individual panels of large unassembled units.

Aluminum birdscreen

3/4 x 1 1/4 inch (19 mm x 32 mm) diamond shape is available in lieu of standard galvanized birdscreen.

Tie-down points

Heavy-gauge galvanized steel tie-down points are available as cable attachment points at the ends of each hood support rail and prevent damage to the Fabra Hood in locations where unusually strong winds occur.

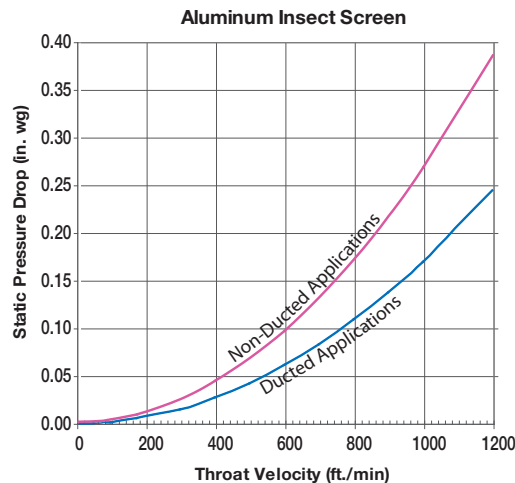
Special coatings

Several options are available for decorative or protective purposes.

- Factory **primed** for field application of final finish.
- **Baked enamel** finish is applied to exterior surfaces only to match or complement a building's color.
- Protective coatings that include Greenheck's **Permatector™** (a thermosetting polyester urethane) are also available. Protective coatings are applied to all surfaces. Refer to the Performance Coatings catalog for complete coating options.

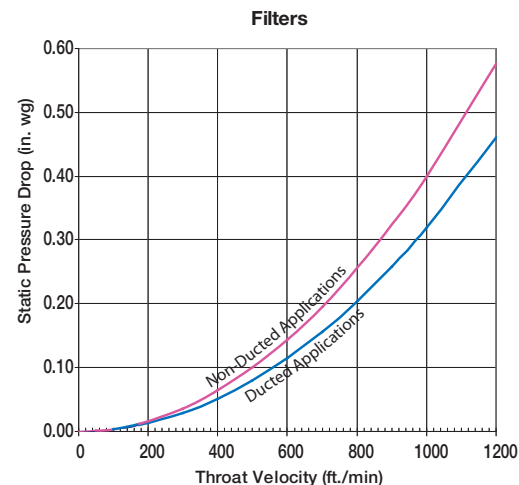
Aluminum Insect Screen

A fine mesh aluminum insect screen tightly fitted to the top of the throat, is available to prevent the entry of insects. (This is in addition to the standard birdscreen and is available on factory assembled units only.) Use the curves on the graph below to determine the static pressure drop for units with insect screen.



Filters

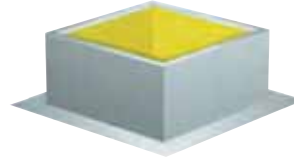
Two-inch aluminum filters are available on model FGI (intake) for applications where foreign material must be removed from the airstream. Use the curves on the graph below to determine the static pressure drop for units with filters.



Backdraft Dampers



Backdraft dampers are available for intake or relief with either gravity or motorized operation. Motorized dampers are recommended for all intake or low velocity relief applications. Damper sizes are the same as throat sizes.



Roof Curbs

Prefabricated roof curbs ensure compatibility between the gravity ventilator, curb and roof opening. Curb extensions are also available. Curb models are available to meet a wide range of applications and varying roof architecture and construction. See the Greenheck Roof Curbs, Extensions and Equipment Supports catalog for complete details on these products.

On-Site Assembly

Flexibility is a primary feature of the Fabra Hood design. Interlocking hood panels and extendible throats allow units to be constructed to long lengths. On-site assembly for these larger units is not difficult and actually offers several advantages.

For jobs with large throat sizes, assembling hoods on-site reduces costs. There is a cost savings in carrying unassembled components to the roof versus the expense of cranes or other equipment involved in lifting a bulky assembled unit. The risk of damage in transporting large assembled units is also reduced when they are assembled on the roof deck.

In addition, the space saved by a compact crate of knocked-down component parts reduces shipping charges and final costs over large, fully assembled units.

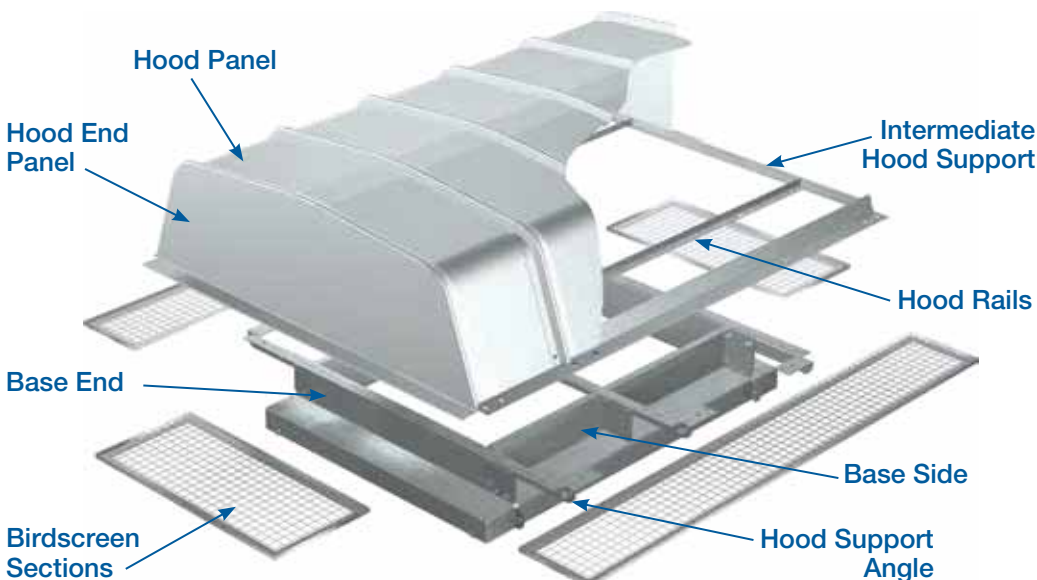
Ease of Assembly

Hoods of any length can be easily constructed on the jobsite. No special tools or training are required to assemble a Greenheck Fabra Hood.

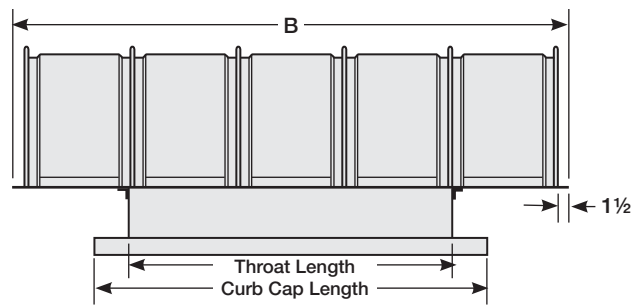
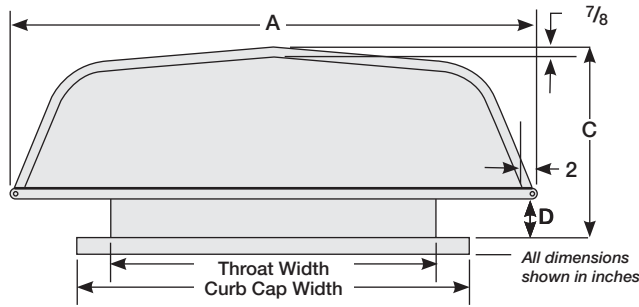
Fabra Hoods are assembled with the following basic steps:

- Step 1**—Base ends, base sides and intermediate hood supports (when required) are placed in position and bolted together.
- Step 2**—Hood support angles are attached.
- Step 3**—All fasteners are tightened and all inside base corners are caulked.
- Step 4**—Birdscreens are attached to hood support angles.
- Step 5**—Hood rails are attached to hood support angles.
- Step 6**—Hood panels and end panels are assembled to hood rails.

All hardware is provided with each unit along with complete, detailed and well illustrated instructions.

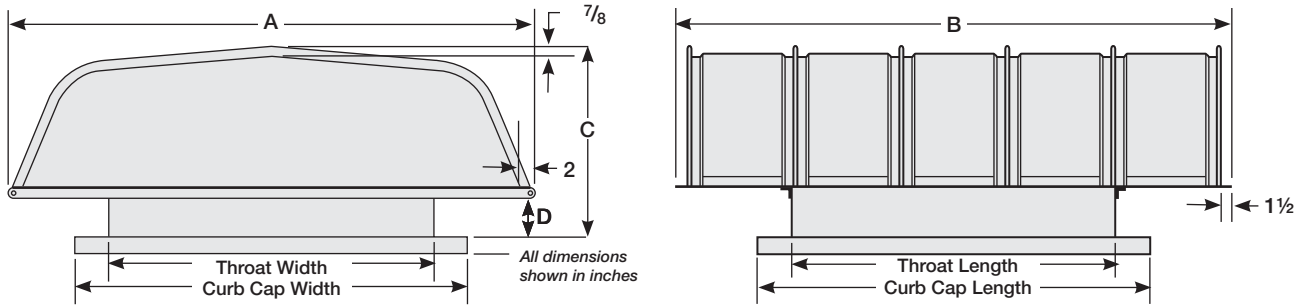


Fabra Hood - Gravity Intake Model FGI



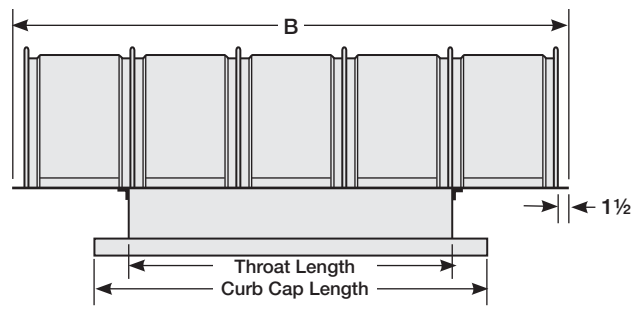
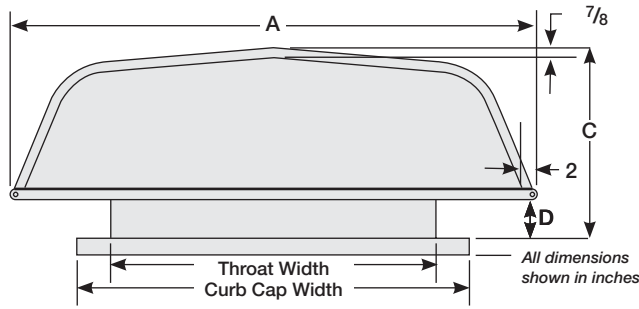
Dimensional Data				Performance Data											Shipped Assembled	Galvanized Unit Weight
Throat Area	Throat Width x Length	Curb Cap Width x Length	Optional Damper Width x Length	DUCTED STATIC PRESSURE DROP (in. wg)												
				Width	Length	Overall Height	Base Height	0.030	0.047	0.071	0.089	0.119	0.149	0.196		
								NON-DUCTED STATIC PRESSURE DROP (in. wg)								
				HOOD INTAKE VELOCITY / THROAT VELOCITY (ft./min.)												
				A	B	C	D	235/475	297/600	364/735	406/820	470/950	527/1065	604/1220		
Inches				CFM												POUNDS
0.44	8 x 8	14 x 14	8 x 8	22	27	14	5	211	267	327	364	422	474	542	Yes	37
0.67	8 x 12	14 x 18	8 x 12	22	27	14	5	316	401	490	546	633	710	813	Yes	37
1.00	8 x 18	14 x 24	8 x 18	22	39	14	5	475	601	735	820	949	1066	1220	Yes	46
1.33	8 x 24	14 x 30	8 x 24	22	39	14	5	633	802	980	1093	1266	1421	1627	Yes	49
1.67	8 x 30	14 x 36	8 x 30	22	51	14	5	791	1002	1225	1366	1582	1776	2033	Yes	57
1.00	12 x 12	18 x 18	12 x 12	26	27	14	5	475	601	735	820	949	1066	1220	Yes	37
1.50	12 x 18	18 x 24	12 x 18	26	39	14	5	712	902	1102	1229	1424	1598	1830	Yes	46
2.00	12 x 24	18 x 30	12 x 24	28	39	14	5	949	1202	1470	1639	1899	2131	2440	Yes	49
2.50	12 x 30	18 x 36	12 x 30	27	51	14	5	1187	1503	1837	2049	2374	2664	3050	Yes	57
3.00	12 x 36	18 x 42	12 x 36	31	51	14	5	1424	1804	2205	2459	2848	3197	3660	Yes	63
3.50	12 x 42	18 x 48	12 x 42	29	63	14	5	1662	2104	2572	2869	3323	3729	4270	Yes	73
4.00	12 x 48	18 x 54	12 x 48	33	63	14	5	1899	2405	2939	3279	3798	4262	4880	Yes	79
1.36	14 x 14	20 x 20	14 x 14	29	27	16	5	646	818	1000	1116	1292	1450	1660	Yes	43
1.75	14 x 18	20 x 24	14 x 18	28	39	16	5	831	1052	1286	1434	1662	1865	2135	Yes	49
2.33	14 x 24	20 x 30	14 x 24	32	39	16	5	1108	1403	1715	1913	2215	2486	2846	Yes	55
2.92	14 x 30	20 x 36	14 x 30	30	51	16	5	1385	1753	2143	2391	2769	3108	3558	Yes	62
3.50	14 x 36	20 x 42	14 x 36	36	51	16	5	1662	2104	2572	2869	3323	3729	4270	Yes	70
4.08	14 x 42	20 x 48	14 x 42	33	63	16	5	1938	2455	3001	3347	3877	4351	4981	Yes	80
4.67	14 x 48	20 x 54	14 x 48	38	63	16	5	2215	2806	3429	3825	4431	4972	5693	Yes	87
5.25	14 x 54	20 x 60	14 x 54	36	75	16	5	2492	3156	3858	4303	4985	5594	6405	Yes	96
1.78	16 x 16	22 x 22	16 x 16	30	39	16	5	844	1069	1306	1457	1688	1894	2169	Yes	52
2.22	16 x 20	22 x 26	16 x 20	31	39	16	5	1055	1336	1633	1821	2110	2368	2711	Yes	54
2.67	16 x 24	22 x 30	16 x 24	36	39	16	5	1266	1603	1960	2186	2532	2841	3253	Yes	60
3.33	16 x 30	22 x 36	16 x 30	34	51	16	5	1582	2004	2450	2732	3165	3552	4066	Yes	68
4.00	16 x 36	22 x 42	16 x 36	40	51	16	5	1899	2405	2939	3279	3798	4262	4880	Yes	76
4.67	16 x 42	22 x 48	16 x 42	38	63	16	5	2215	2806	3429	3825	4431	4972	5693	Yes	87
5.33	16 x 48	22 x 54	16 x 48	36	75	16	5	2532	3206	3919	4371	5064	5683	6506	Yes	95
6.00	16 x 54	22 x 60	16 x 54	40	75	16	5	2848	3607	4409	4918	5697	6393	7320	Yes	104
6.67	16 x 60	22 x 66	16 x 60	38	87	16	5	3165	4008	4899	5464	6330	7103	8133	Yes	129
7.33	16 x 66	22 x 72	16 x 66	42	87	16	5	3481	4409	5389	6011	6963	7814	8946	Yes	136
2.25	18 x 18	24 x 24	18 x 18	32	39	16	5	1068	1353	1653	1844	2136	2397	2745	Yes	55
3.00	18 x 24	24 x 30	18 x 24	40	39	16	5	1424	1804	2205	2459	2848	3197	3660	Yes	64
3.75	18 x 30	24 x 36	18 x 30	38	51	16	5	1780	2254	2756	3074	3560	3996	4575	Yes	73
4.50	18 x 36	24 x 42	18 x 36	36	63	16	5	2136	2705	3307	3688	4272	4795	5490	Yes	83
5.25	18 x 42	24 x 48	18 x 42	42	63	16	5	2492	3156	3858	4303	4985	5594	6405	Yes	92
6.00	18 x 48	24 x 54	18 x 48	40	75	16	5	2848	3607	4409	4918	5697	6393	7320	Yes	101
6.75	18 x 54	24 x 60	18 x 54	45	75	16	5	3204	4058	4960	5533	6409	7192	8235	Yes	111
7.50	18 x 60	24 x 66	18 x 60	43	87	16	5	3560	4509	5511	6147	7121	7991	9149	Yes	136
8.25	18 x 66	24 x 72	18 x 66	46	87	16	5	3916	4960	6063	6762	7833	8790	10064	Yes	145
9.00	18 x 72	24 x 78	18 x 72	45	99	16	5	4272	5411	6614	7377	8545	9590	10979	Yes	155
2.78	20 x 20	26 x 26	20 x 20	37	39	16	5	1319	1670	2041	2277	2637	2960	3389	Yes	61
3.33	20 x 24	26 x 30	20 x 24	44	39	16	5	1582	2004	2450	2732	3165	3552	4066	Yes	69
4.17	20 x 30	26 x 36	20 x 30	42	51	16	5	1978	2505	3062	3415	3956	4440	5083	Yes	77
5.00	20 x 36	26 x 42	20 x 36	40	63	16	5	2374	3006	3674	4098	4747	5328	6100	Yes	89
5.83	20 x 42	26 x 48	20 x 42	48	63	16	5	2769	3507	4287	4781	5538	6215	7116	Yes	98
6.67	20 x 48	26 x 54	20 x 48	44	75	16	5	3165	4008	4899	5464	6330	7103	8133	Yes	107
7.50	20 x 54	26 x 60	20 x 54	49	75	16	5	3560	4509	5511	6147	7121	7991	9149	Yes	117
8.33	20 x 60	26 x 66	20 x 60	47	87	16	5	3956	5010	6124	6830	7912	8879	10166	Yes	143
9.17	20 x 66	26 x 72	20 x 66	45	99	16	5	4352	5511	6736	7513	8703	9767	11183	Yes	154
10.00	20 x 72	26 x 78	20 x 72	49	99	16	5	4747	6012	7349	8196	9494	10655	12199	Yes	162
10.83	20 x 78	26 x 84	20 x 78	47	111	16	5	5143	6513	7961	8880	10286	11543	13216	Yes	194
11.67	20 x 84	26 x 90	20 x 84	51	111	16	5	5538	7014	8573	9563	11077	12431	14232	Yes	203

Fabra Hood - Gravity Intake Model FGI



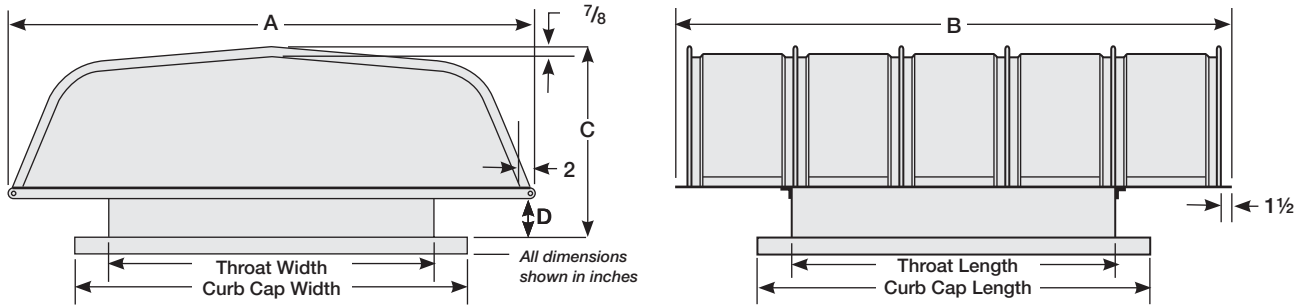
Dimensional Data				Performance Data												Shipped Assembled	Galvanized Unit Weight
Throat Area	Throat Width x Length	Curb Cap Width x Length	Optional Damper Width x Length	DUCTED STATIC PRESSURE DROP (in. wg)													
				Width	Length	Overall Height	Base Height	0.030	0.047	0.071	0.089	0.119	0.149	0.196			
								NON-DUCTED STATIC PRESSURE DROP (in. wg)									
				A	B	C	D	0.053	0.085	0.127	0.158	0.212	0.267	0.350			
				HOOD INTAKE VELOCITY / THROAT VELOCITY (ft./min.)													
				235/475 297/600 364/735 406/820 470/950 527/1065 604/1220													
ft ²				CFM												POUNDS	
Inches																	
4.00	24 x 24	30 x 30	24 x 24	52	39	19	5	1899	2405	2939	3279	3798	4262	4880	Yes	82	
5.00	24 x 30	30 x 36	24 x 30	49	51	19	5	2374	3006	3674	4098	4747	5328	6100	Yes	91	
6.00	24 x 36	30 x 42	24 x 36	47	63	19	5	2848	3607	4409	4918	5697	6393	7320	Yes	104	
7.00	24 x 42	30 x 48	24 x 42	54	63	19	5	3323	4208	5144	5738	6646	7459	8539	Yes	114	
8.00	24 x 48	30 x 54	24 x 48	52	75	19	5	3798	4809	5879	6557	7596	8524	9759	Yes	125	
9.00	24 x 54	30 x 60	24 x 54	50	87	19	5	4272	5411	6614	7377	8545	9590	10979	Yes	154	
10.00	24 x 60	30 x 66	24 x 60	55	87	19	5	4747	6012	7349	8196	9494	10655	12199	Yes	163	
11.00	24 x 66	30 x 72	24 x 66	54	99	19	5	5222	6613	8083	9016	10444	11721	13419	Yes	174	
12.00	24 x 72	30 x 78	24 x 72	58	99	19	5	5697	7214	8818	9836	11393	12786	14639	Yes	185	
13.00	24 x 78	30 x 84	24 x 78	56	111	19	5	6171	7815	9553	10655	12343	13852	15859	Yes	220	
14.00	24 x 84	30 x 90	24 x 84	60	111	19	5	6646	8417	10288	11475	13292	14917	17079	Yes	230	
15.00	24 x 90	30 x 96	24 x 90	58	123	19	5	7121	9018	11023	12295	14242	15983	18299	Yes	244	
6.25	30 x 30	36 x 36	30 x 30	60	51	19	5	2967	3757	4593	5123	5934	6659	7625	Yes	108	
7.50	30 x 36	36 x 42	30 x 36	58	63	19	5	3560	4509	5511	6147	7121	7991	9149	Yes	119	
8.75	30 x 42	36 x 48	30 x 42	57	75	19	5	4154	5260	6430	7172	8308	9323	10674	Yes	131	
10.00	30 x 48	36 x 54	30 x 48	64	75	19	5	4747	6012	7349	8196	9494	10655	12199	Yes	143	
11.25	30 x 54	36 x 60	30 x 54	62	87	19	5	5341	6763	8267	9221	10681	11987	13724	Yes	174	
12.50	30 x 60	36 x 66	30 x 60	60	99	19	5	5934	7515	9186	10246	11868	13319	15249	Yes	186	
13.75	30 x 66	36 x 72	30 x 66	66	99	19	5	6527	8266	10104	11270	13055	14651	16774	Yes	200	
15.00	30 x 72	36 x 78	30 x 72	64	111	19	5	7121	9018	11023	12295	14242	15983	18299	Yes	225	
16.25	30 x 78	36 x 84	30 x 78	69	111	19	5	7714	9769	11941	13319	15428	17314	19824	Yes	251	
17.50	30 x 84	36 x 90	30 x 84	67	123	19	5	8308	10521	12860	14344	16615	18646	21349	Yes	264	
18.75	30 x 90	36 x 96	30 x 90	72	123	19	5	8901	11272	13779	15368	17802	19978	22874	Yes	278	
9.00	36 x 36	42 x 42	36 x 36	69	63	19	5	4272	5411	6614	7377	8545	9590	10979	Yes	134	
10.50	36 x 42	42 x 48	36 x 42	67	75	19	5	4985	6312	7716	8606	9969	11188	12809	Yes	147	
12.00	36 x 48	42 x 54	36 x 48	66	87	19	5	5697	7214	8818	9836	11393	12786	14639	Yes	176	
13.50	36 x 54	42 x 60	36 x 54	73	87	19	5	6409	8116	9921	11065	12817	14384	16469	Yes	196	
15.00	36 x 60	42 x 66	36 x 60	72	99	19	5	7121	9018	11023	12295	14242	15983	18299	Yes	208	
16.50	36 x 66	42 x 72	36 x 66	78	99	19	5	7833	9920	12125	13524	15666	17581	20129	Yes	224	
18.00	36 x 72	42 x 78	36 x 72	76	111	19	5	8545	10821	13227	14754	17090	19179	21959	Yes	252	
19.50	36 x 78	42 x 84	36 x 78	74	123	19	5	9257	11723	14330	15983	18514	20777	23789	Yes	280	
21.00	36 x 84	42 x 90	36 x 84	80	123	19	5	9969	12625	15432	17213	19938	22376	25618	Yes	295	
22.50	36 x 90	42 x 96	36 x 90	78	135	19	5	10681	13527	16534	18442	21362	23974	27448	Yes	311	
24.00	36 x 96	42 x 102	36 x 96	83	135	19	5	11393	14428	17637	19672	22787	25572	29278	Yes	324	
25.50	36 x 102	42 x 108	36 x 102	81	147	19	5	12105	15330	18739	20901	24211	27170	31108	No	340	
12.25	42 x 42	48 x 48	42 x 42	78	75	23	5	5815	7365	9002	10041	11631	13052	14944	Yes	178	
14.00	42 x 48	48 x 54	42 x 48	76	87	23	5	6646	8417	10288	11475	13292	14917	17079	Yes	221	
15.75	42 x 54	48 x 60	42 x 54	85	87	23	5	7477	9469	11574	12909	14954	16782	19214	Yes	252	
17.50	42 x 60	48 x 66	42 x 60	83	99	23	5	8308	10521	12860	14344	16615	18646	21349	Yes	261	
19.25	42 x 66	48 x 72	42 x 66	81	111	23	5	9138	11573	14146	15778	18277	20511	23484	Yes	291	
21.00	42 x 72	48 x 78	42 x 72	88	111	23	5	9969	12625	15432	17213	19938	22376	25618	Yes	320	
22.75	42 x 78	48 x 84	42 x 78	86	123	23	5	10800	13677	16718	18647	21600	24240	27753	Yes	355	
24.50	42 x 84	48 x 90	42 x 84	84	135	23	5	11631	14729	18004	20081	23261	26105	29888	Yes	373	
26.25	42 x 90	48 x 96	42 x 90	90	135	23	5	12461	15781	19290	21516	24923	27970	32023	Yes	392	
28.00	42 x 96	48 x 102	42 x 96	88	147	23	5	13292	16833	20576	22950	26584	29834	34158	No	412	
29.75	42 x 102	48 x 108	42 x 102	93	147	23	5	14123	17885	21862	24385	28246	31699	36293	No	429	
31.50	42 x 108	48 x 114	42 x 108	91	159	23	5	14954	18937	23148	25819	29907	33563	38428	No	450	
16.00	48 x 48	54 x 54	48 x 48	86	87	25	5	7596	9619	11758	13114	15191	17048	19519	Yes	257	
18.00	48 x 54	54 x 60	48 x 54	85	99	25	5	8545	10821	13227	14754	17090	19179	21959	Yes	278	
20.00	48 x 60	54 x 66	48 x 60	94	99	25	5	9494	12024	14697	16393	18989	21310	24399	Yes	299	
22.00	48 x 66	54 x 72	48 x 66	92	111	25	5	10444	13226	16167	18032	20888	23441	26838	Yes	332	
24.00	48 x 72	54 x 78	48 x 72	90	123	25	5	11393	14428	17637	19672	22787	25572	29278	Yes	353	
26.00	48 x 78	54 x 84	48 x 78	98	123	25	5	12343	15631	19106	21311	24685	27703	31718	No	383	
28.00	48 x 84	54 x 90	48 x 84	92	135	25	5	13292	16833	20576	22950	26584	29834	34158	No	412	
30.00	48 x 90	54 x 96	48 x 90	98	135	25	5	14242	18036	22046	24589	28483	31965	36598	No	430	
32.00	48 x 96	54 x 102	48 x 96	96	147	25	5	15191	19238	23515	26229	30382	34096	39038	No	452	
34.00	48 x 102	54 x 108	48 x 102	94	159	25	5	16140	20440	24985	27868	32281	36227	41478	No	475	
36.00	48 x 108	54 x 114	48 x 108	100	159	25	5	17090	21643	26455	29507	34180	38358	43917	No	495	
38.00	48 x 114	54 x 120	48 x 114	98	171	25	5	18039	22845	27924	31147	36079	40489	46357	No	517	

Fabra Hood - Gravity Intake Model FGI



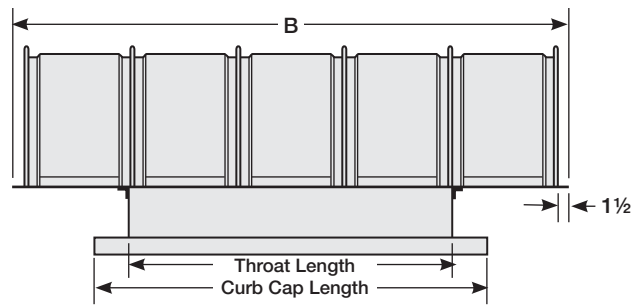
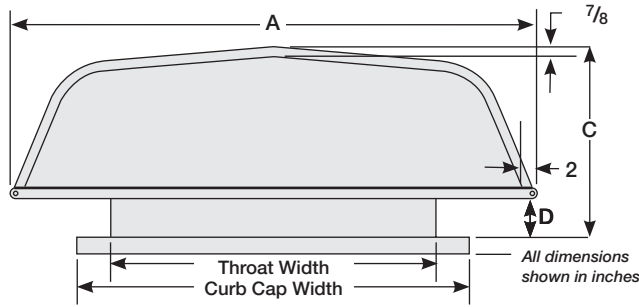
Dimensional Data				Performance Data											Shipped Assembled	Galvanized Unit Weight					
Throat Area	Throat Width x Length	Curb Cap Width x Length	Optional Damper Width x Length	Width	Length	Overall Height	Base Height	DUCTED STATIC PRESSURE DROP (in. wg)									CFM	POUNDS			
								NON-DUCTED STATIC PRESSURE DROP (in. wg)													
								HOOD INTAKE VELOCITY / THROAT VELOCITY (ft/min.)													
ft ²	Inches			A	B	C	D	0.030	0.047	0.071	0.089	0.119	0.149	0.196	235/475	297/600	364/735	406/820	470/950	527/1065	604/1220
20.25	54 x 54	60 x 60	54 x 54	95	99	26	5	9613	12174	14881	16598	19226	21576	24704	No	304					
22.50	54 x 60	60 x 66	54 x 60	105	99	26	5	10681	13527	16534	18442	21362	23974	27448	No	341					
24.75	54 x 66	60 x 72	54 x 66	103	111	26	5	11749	14879	18188	20286	23499	26371	30193	No	370					
27.00	54 x 72	60 x 78	54 x 72	101	123	26	5	12817	16232	19841	22131	25635	28769	32938	No	394					
29.25	54 x 78	60 x 84	54 x 78	109	123	26	5	13886	17585	21495	23975	27771	31166	35683	No	433					
31.50	54 x 84	60 x 90	54 x 84	107	135	26	5	14954	18937	23148	25819	29907	33563	38428	No	457					
33.75	54 x 90	60 x 96	54 x 90	105	147	26	5	16022	20290	24801	27663	32044	35961	41173	No	481					
36.00	54 x 96	60 x 102	54 x 96	112	147	26	5	17090	21643	26455	29507	34180	38358	43917	No	502					
38.25	54 x 102	60 x 108	54 x 102	110	159	26	5	18158	22995	28108	31352	36316	40756	46662	No	528					
40.50	54 x 108	60 x 114	54 x 108	108	171	26	5	19226	24348	29762	33196	38452	43153	49407	No	550					
42.75	54 x 114	60 x 120	54 x 114	114	171	26	5	20294	25701	31415	35040	40589	45550	52152	No	572					
25.00	60 x 60	66 x 66	60 x 60	104	111	29.5	5	11868	15030	18371	20491	23736	26638	30498	No	379					
27.50	60 x 66	66 x 72	60 x 66	114	111	29.5	5	13055	16533	20209	22540	26110	29301	33548	No	404					
30.00	60 x 72	66 x 78	60 x 72	112	123	29.5	5	14242	18036	22046	24589	28483	31965	36598	No	429					
32.50	60 x 78	66 x 84	60 x 78	110	135	29.5	5	15428	19539	23883	26639	30857	34629	39648	No	473					
35.00	60 x 84	66 x 90	60 x 84	119	135	29.5	5	16615	21042	25720	28688	33230	37293	42697	No	500					
37.50	60 x 90	66 x 96	60 x 90	117	147	29.5	5	17802	22544	27557	30737	35604	39956	45747	No	525					
40.00	60 x 96	66 x 102	60 x 96	115	159	29.5	5	18989	24047	29394	32786	37978	42620	48797	No	552					
42.50	60 x 102	66 x 108	60 x 102	122	159	29.5	5	20176	25550	31231	34835	40351	45284	51847	No	576					
45.00	60 x 108	66 x 114	60 x 108	120	171	29.5	5	21362	27053	33068	36884	42725	47948	54897	No	601					
47.50	60 x 114	66 x 120	60 x 114	126	171	29.5	5	22549	28556	34906	38933	45098	50611	57947	No	733					
50.00	60 x 120	66 x 126	60 x 120	124	183	29.5	5	23736	30059	36743	40982	47472	53275	60996	No	761					
30.25	66 x 66	72 x 72	66 x 66	113	123	29.5	5	14360	18186	22229	24794	28721	32232	36903	No	431					
33.00	66 x 72	72 x 78	66 x 72	123	123	29.5	5	15666	19839	24250	27048	31332	35162	40258	No	504					
35.75	66 x 78	72 x 84	66 x 78	121	135	29.5	5	16971	21492	26271	29302	33942	38092	43612	No	555					
38.50	66 x 84	72 x 90	66 x 84	120	147	29.5	5	18277	23146	28292	31557	36553	41022	46967	No	632					
41.25	66 x 90	72 x 96	66 x 90	128	147	29.5	5	19582	24799	30313	33811	39164	43952	50322	No	643					
44.00	66 x 96	72 x 102	66 x 96	126	159	29.5	5	20888	26452	32334	36065	41775	46882	53677	No	663					
46.75	66 x 102	72 x 108	66 x 102	133	159	29.5	5	22193	28105	34354	38319	44386	49812	57032	No	726					
49.50	66 x 108	72 x 114	66 x 108	131	171	29.5	5	23499	29759	36375	40573	46997	52742	60386	No	753					
52.25	66 x 114	72 x 120	66 x 114	129	183	29.5	5	24804	31412	38396	42827	49608	55673	63741	No	784					
55.00	66 x 120	72 x 126	66 x 120	136	183	29.5	5	26110	33065	40417	45081	52219	58603	67096	No	823					
57.75	66 x 126	72 x 132	66 x 126	134	195	36.5	12	27415	34719	42438	47335	54830	61533	70451	No	900					
60.50	66 x 132	72 x 138	66 x 132	132	207	36.5	12	28721	36372	44459	49589	57441	64463	73806	No	916					
36.00	72 x 72	78 x 78	72 x 72	134	123	29.5	5	17090	21643	26455	29507	34180	38358	43917	No	587					
39.00	72 x 78	78 x 84	72 x 78	132	135	29.5	5	18514	23446	28659	31966	37028	41555	47577	No	641					
42.00	72 x 84	78 x 90	72 x 84	130	147	29.5	5	19938	25250	30864	34425	39876	44751	51237	No	670					
45.00	72 x 90	78 x 96	72 x 90	136	159	29.5	5	21362	27053	33068	36884	42725	47948	54897	No	733					
48.00	72 x 96	78 x 102	72 x 96	136	171	29.5	5	22787	28857	35273	39343	45573	51144	58556	No	771					
51.00	72 x 102	78 x 108	72 x 102	135	171	29.5	5	24211	30661	37478	41802	48421	54341	62216	No	791					
54.00	72 x 108	78 x 114	72 x 108	136	183	29.5	5	25635	32464	39682	44261	51270	57537	65876	No	811					
57.00	72 x 114	78 x 120	72 x 114	136	195	29.5	5	27059	34268	41887	46720	54118	60734	69536	No	848					
60.00	72 x 120	78 x 126	72 x 120	136	207	29.5	5	28483	36071	44091	49179	56966	63930	73196	No	886					
63.00	72 x 126	78 x 132	72 x 126	136	207	36.5	12	29907	37875	46296	51638	59815	67127	76855	No	934					
66.00	72 x 132	78 x 138	72 x 132	136	219	36.5	12	31332	39678	48500	54097	62663	70323	80515	No	973					
69.00	72 x 138	78 x 144	72 x 138	136	219	36.5	12	32756	41482	50705	56556	65511	73520	84175	No	976					
72.00	72 x 144	78 x 150	72 x 144	136	231	36.5	12	34180	43285	52910	59015	68360	76716	87835	No	1015					
75.00	72 x 150	78 x 156	72 x 150	136	231	36.5	12	35604	45089	55114	61474	71208	79913	91495	No	1116					
78.00	72 x 156	78 x 162	72 x 156	136	243	36.5	12	37028	46893	57319	63933	74056	83109	95154	No	1228					
81.00	72 x 162	78 x 168	72 x 162	136	243	36.5	12	38452	48696	59523	66392	76905	86306	98814	No	1351					
84.00	72 x 168	78 x 174	72 x 168	136	255	36.5	12	39876	50500	61728	68851	79753	89502	102474	No	1486					
87.00	72 x 174	78 x 180	72 x 174	136	255	36.5	12	41301	52303	63932	71310	82601	92699	106134	No	1634					
90.00	72 x 180	78 x 186	72 x 180	136	267	36.5	12	42725	54107	66137	73768	85450	95895	109793	No	1798					

Fabra Hood - Gravity Relief Model FGR



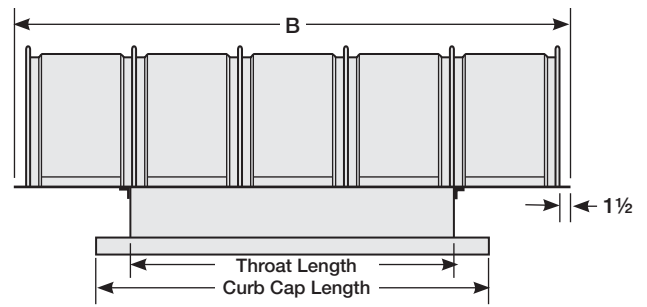
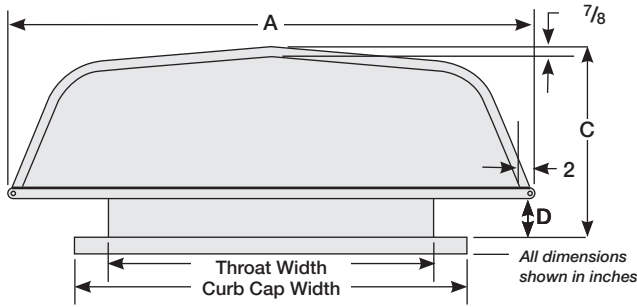
Dimensional Data				Performance Data											Shipped Assembled	Galvanized Unit Weight
Throat Area	Throat Width x Length	Curb Cap Width x Length	Optional Damper Width x Length	DUCTED STATIC PRESSURE DROP (in. wg)												
				Width	Length	Overall Height	Base Height	0.024	0.043	0.060	0.084	0.107	0.136	0.160		
				NON-DUCTED STATIC PRESSURE DROP (in. wg)												
				HOOD AND THROAT VELOCITY (ft./min.)												
				A	B	C	D	420	560	660	780	880	990	1075		
ft ²	Inches			CFM											POUNDS	
0.44	8 x 8	14 x 14	8 x 8	22	27	14	5	186	248	294	346	391	440	478	Yes	37
0.67	8 x 12	14 x 18	8 x 12	22	27	14	5	279	372	441	520	586	661	717	Yes	37
1.00	8 x 18	14 x 24	8 x 18	22	39	14	5	418	559	661	779	880	991	1075	Yes	46
1.33	8 x 24	14 x 30	8 x 24	22	39	14	5	557	745	881	1039	1173	1321	1434	Yes	48
1.67	8 x 30	14 x 36	8 x 30	22	51	14	5	697	931	1101	1299	1466	1651	1792	Yes	56
1.00	12 x 12	18 x 18	12 x 12	26	27	14	5	418	559	661	779	880	991	1075	Yes	37
1.50	12 x 18	18 x 24	12 x 18	26	39	14	5	627	838	991	1169	1319	1486	1613	Yes	46
2.00	12 x 24	18 x 30	12 x 24	26	39	14	5	836	1117	1322	1559	1759	1982	2151	Yes	48
2.50	12 x 30	18 x 36	12 x 30	26	51	14	5	1045	1396	1652	1948	2199	2477	2688	Yes	56
3.00	12 x 36	18 x 42	12 x 36	26	51	14	5	1254	1676	1983	2338	2639	2972	3226	Yes	58
3.50	12 x 42	18 x 48	12 x 42	26	63	14	5	1463	1955	2313	2727	3079	3468	3764	Yes	69
4.00	12 x 48	18 x 54	12 x 48	26	63	14	5	1672	2234	2643	3117	3518	3963	4301	Yes	71
1.36	14 x 14	20 x 20	14 x 14	28	27	16	5	569	760	900	1061	1197	1349	1464	Yes	42
1.75	14 x 18	20 x 24	14 x 18	28	39	16	5	731	977	1157	1364	1539	1734	1882	Yes	50
2.33	14 x 24	20 x 30	14 x 24	28	39	16	5	975	1303	1542	1818	2052	2312	2509	Yes	53
2.92	14 x 30	20 x 36	14 x 30	28	51	16	5	1219	1629	1928	2273	2565	2890	3136	Yes	60
3.50	14 x 36	20 x 42	14 x 36	28	51	16	5	1463	1955	2313	2727	3079	3468	3764	Yes	62
4.08	14 x 42	20 x 48	14 x 42	28	63	16	5	1707	2281	2699	3182	3592	4046	4391	Yes	74
4.67	14 x 48	20 x 54	14 x 48	28	63	16	5	1951	2606	3084	3637	4105	4624	5018	Yes	76
5.25	14 x 54	20 x 60	14 x 54	28	75	16	5	2194	2932	3470	4091	4618	5202	5645	Yes	87
1.78	16 x 16	22 x 22	16 x 16	30	39	16	5	743	993	1175	1385	1564	1761	1912	Yes	52
2.22	16 x 20	22 x 26	16 x 20	30	39	16	5	929	1241	1469	1732	1955	2202	2390	Yes	53
2.67	16 x 24	22 x 30	16 x 24	30	39	16	5	1115	1489	1762	2078	2346	2642	2868	Yes	55
3.33	16 x 30	22 x 36	16 x 30	30	51	16	5	1393	1862	2203	2598	2932	3303	3584	Yes	64
4.00	16 x 36	22 x 42	16 x 36	30	51	16	5	1672	2234	2643	3117	3518	3963	4301	Yes	66
4.67	16 x 42	22 x 48	16 x 42	30	63	16	5	1951	2606	3084	3637	4105	4624	5018	Yes	78
5.33	16 x 48	22 x 54	16 x 48	30	63	16	5	2229	2979	3525	4156	4691	5284	5735	Yes	80
6.00	16 x 54	22 x 60	16 x 54	30	75	16	5	2508	3351	3965	4676	5277	5945	6452	Yes	91
6.67	16 x 60	22 x 66	16 x 60	31	75	16	5	2786	3724	4406	5195	5864	6605	7169	Yes	95
7.33	16 x 66	22 x 72	16 x 66	30	87	16	5	3065	4096	4846	5715	6450	7266	7886	Yes	120
2.25	18 x 18	24 x 24	18 x 18	32	39	16	5	940	1257	1487	1753	1979	2229	2419	Yes	55
3.00	18 x 24	24 x 30	18 x 24	32	39	16	5	1254	1676	1983	2338	2639	2972	3226	Yes	57
3.75	18 x 30	24 x 36	18 x 30	32	51	16	5	1567	2094	2478	2922	3298	3715	4032	Yes	67
4.50	18 x 36	24 x 42	18 x 36	32	51	16	5	1881	2513	2974	3507	3958	4458	4839	Yes	69
5.25	18 x 42	24 x 48	18 x 42	32	63	16	5	2194	2932	3470	4091	4618	5202	5645	Yes	81
6.00	18 x 48	24 x 54	18 x 48	33	63	16	5	2508	3351	3965	4676	5277	5945	6452	Yes	84
6.75	18 x 54	24 x 60	18 x 54	32	75	16	5	2821	3770	4461	5260	5937	6688	7258	Yes	95
7.50	18 x 60	24 x 66	18 x 60	34	75	16	5	3135	4189	4956	5845	6597	7431	8065	Yes	99
8.25	18 x 66	24 x 72	18 x 66	32	87	16	5	3448	4608	5452	6429	7256	8174	8871	Yes	124
9.00	18 x 72	24 x 78	18 x 72	35	87	16	5	3762	5027	5948	7013	7916	8917	9678	Yes	129
2.78	20 x 20	26 x 26	20 x 20	34	39	16	5	1161	1551	1836	2165	2443	2752	2987	Yes	58
3.33	20 x 24	26 x 30	20 x 24	34	39	16	5	1393	1862	2203	2598	2932	3303	3584	Yes	60
4.17	20 x 30	26 x 36	20 x 30	34	51	16	5	1742	2327	2754	3247	3665	4128	4480	Yes	69
5.00	20 x 36	26 x 42	20 x 36	34	51	16	5	2090	2793	3304	3896	4398	4954	5377	Yes	71
5.83	20 x 42	26 x 48	20 x 42	34	63	16	5	2438	3258	3855	4546	5131	5779	6273	Yes	84
6.67	20 x 48	26 x 54	20 x 48	36	63	16	5	2786	3724	4406	5195	5864	6605	7169	Yes	89
7.50	20 x 54	26 x 60	20 x 54	34	75	16	5	3135	4189	4956	5845	6597	7431	8065	Yes	98
8.33	20 x 60	26 x 66	20 x 60	37	75	16	5	3483	4654	5507	6494	7330	8256	8961	Yes	104
9.17	20 x 66	26 x 72	20 x 66	35	87	16	5	3831	5120	6058	7143	8063	9082	9857	Yes	128
10.00	20 x 72	26 x 78	20 x 72	38	87	16	5	4180	5585	6609	7793	8796	9908	10753	Yes	135
10.83	20 x 78	26 x 84	20 x 78	37	99	16	5	4528	6051	7159	8442	9529	10733	11649	Yes	153
11.67	20 x 84	26 x 90	20 x 84	39	99	16	5	4876	6516	7710	9092	10262	11559	12545	Yes	158

Fabra Hood - Gravity Relief Model FGR



Dimensional Data								Performance Data							Shipped Assembled	Galvanized Unit Weight							
Throat Area	Throat Width x Length	Curb Cap Width x Length	Optional Damper Width x Length	Width	Length	Overall Height	Base Height	DUCTED STATIC PRESSURE DROP (in. wg)															
								0.024	0.043	0.060	0.084	0.107	0.136	0.160			NON-DUCTED STATIC PRESSURE DROP (in. wg)						
								0.042	0.075	0.105	0.146	0.186	0.236	0.278			HOOD AND THROAT VELOCITY (ft./min.)						
ft ²	Inches							420	560	660	780	880	990	1075	CFM							POUNDS	
4.00	24 x 24	30 x 30	24 x 24	38	39	19	5	1672	2234	2643	3117	3518	3963	4301	Yes	69							
5.00	24 x 30	30 x 36	24 x 30	38	51	19	5	2090	2793	3304	3896	4398	4954	5377	Yes	79							
6.00	24 x 36	30 x 42	24 x 36	40	51	19	5	2508	3351	3965	4676	5277	5945	6452	Yes	84							
7.00	24 x 42	30 x 48	24 x 42	38	63	19	5	2926	3910	4626	5455	6157	6935	7527	Yes	95							
8.00	24 x 48	30 x 54	24 x 48	42	63	19	5	3344	4468	5287	6234	7037	7926	8603	Yes	102							
9.00	24 x 54	30 x 60	24 x 54	40	75	19	5	3762	5027	5948	7013	7916	8917	9678	Yes	113							
10.00	24 x 60	30 x 66	24 x 60	44	75	19	5	4180	5585	6609	7793	8796	9908	10753	Yes	120							
11.00	24 x 66	30 x 72	24 x 66	42	87	19	5	4598	6144	7269	8572	9675	10898	11829	Yes	146							
12.00	24 x 72	30 x 78	24 x 72	45	87	19	5	5016	6702	7930	9351	10555	11889	12904	Yes	152							
13.00	24 x 78	30 x 84	24 x 78	43	99	19	5	5434	7261	8591	10131	11434	12880	13979	Yes	171							
14.00	24 x 84	30 x 90	24 x 84	46	99	19	5	5852	7819	9252	10910	12314	13871	15054	Yes	178							
15.00	24 x 90	30 x 96	24 x 90	44	111	19	5	6269	8378	9913	11689	13194	14861	16130	Yes	202							
6.25	30 x 30	36 x 36	30 x 30	44	51	19	5	2612	3491	4130	4870	5497	6192	6721	Yes	88							
7.50	30 x 36	36 x 42	30 x 36	49	51	19	5	3135	4189	4956	5845	6597	7431	8065	Yes	95							
8.75	30 x 42	36 x 48	30 x 42	46	63	19	5	3657	4887	5783	6819	7696	8669	9409	Yes	107							
10.00	30 x 48	36 x 54	30 x 48	52	63	19	5	4180	5585	6609	7793	8796	9908	10753	Yes	116							
11.25	30 x 54	36 x 60	30 x 54	49	75	19	5	4702	6283	7435	8767	9895	11146	12097	Yes	128							
12.50	30 x 60	36 x 66	30 x 60	54	75	19	5	5225	6982	8261	9741	10995	12385	13441	Yes	136							
13.75	30 x 66	36 x 72	30 x 66	51	87	19	5	5747	7680	9087	10715	12094	13623	14786	Yes	162							
15.00	30 x 72	36 x 78	30 x 72	49	99	19	5	6269	8378	9913	11689	13194	14861	16130	Yes	172							
16.25	30 x 78	36 x 84	30 x 78	53	99	19	5	6792	9076	10739	12663	14293	16100	17474	Yes	191							
17.50	30 x 84	36 x 90	30 x 84	51	111	19	5	7314	9774	11565	13637	15393	17338	18818	Yes	216							
18.75	30 x 90	36 x 96	30 x 90	54	111	19	5	7837	10472	12391	14611	16492	18577	20162	Yes	223							
9.00	36 x 36	42 x 42	36 x 36	58	51	19	5	3762	5027	5948	7013	7916	8917	9678	Yes	110							
10.50	36 x 42	42 x 48	36 x 42	54	63	19	5	4389	5865	6939	8182	9236	10403	11291	Yes	119							
12.00	36 x 48	42 x 54	36 x 48	62	63	19	5	5016	6702	7930	9351	10555	11889	12904	Yes	130							
13.50	36 x 54	42 x 60	36 x 54	58	75	19	5	5643	7502	8922	10520	11874	13375	14517	Yes	142							
15.00	36 x 60	42 x 66	36 x 60	55	87	19	5	6269	8378	9913	11689	13194	14861	16130	Yes	168							
16.50	36 x 66	42 x 72	36 x 66	61	87	19	5	6896	9216	10904	12858	14513	16348	17743	Yes	178							
18.00	36 x 72	42 x 78	36 x 72	58	99	19	5	7523	10054	11895	14027	15832	17834	19356	Yes	190							
19.50	36 x 78	42 x 84	36 x 78	63	96	19	5	8150	10891	12887	15196	17152	19320	20969	Yes	211							
21.00	36 x 84	42 x 90	36 x 84	60	111	19	5	8777	11729	13878	16365	18471	20806	22582	Yes	235							
22.50	36 x 90	42 x 96	36 x 90	64	111	19	5	9404	12567	14869	17534	19790	22292	24195	Yes	244							
24.00	36 x 96	42 x 102	36 x 96	62	123	19	5	10031	13405	15861	18703	21110	23778	25808	Yes	258							
25.50	36 x 102	42 x 108	36 x 102	65	123	19	5	10658	14242	16852	19872	22429	25265	27421	Yes	266							
12.25	42 x 42	48 x 48	42 x 42	63	63	23	5	5120	6842	8096	9546	10775	12137	13173	Yes	144							
14.00	42 x 48	48 x 54	42 x 48	60	75	23	5	5852	7819	9252	10910	12314	13871	15054	Yes	157							
15.75	42 x 54	48 x 60	42 x 54	67	75	23	5	6583	8797	10409	12274	13853	15605	16936	Yes	169							
17.50	42 x 60	48 x 66	42 x 60	64	87	23	5	7314	9774	11565	13637	15393	17338	18818	Yes	197							
19.25	42 x 66	48 x 72	42 x 66	70	87	23	5	8046	10752	12722	15001	16932	19072	20700	Yes	208							
21.00	42 x 72	48 x 78	42 x 72	67	99	23	5	8777	11729	13878	16365	18471	20806	22582	Yes	222							
22.75	42 x 78	48 x 84	42 x 78	72	99	23	5	9509	12707	15035	17729	20010	22540	24463	Yes	245							
24.50	42 x 84	48 x 90	42 x 84	69	111	23	5	10240	13684	16191	19092	21550	24274	26345	Yes	270							
26.25	42 x 90	48 x 96	42 x 90	67	123	23	5	10972	14661	17348	20456	23089	26008	28227	Yes	284							
28.00	42 x 96	48 x 102	42 x 96	71	123	23	5	11703	15639	18504	21820	24628	27741	30109	Yes	296							
29.75	42 x 102	48 x 108	42 x 102	69	135	23	5	12434	16616	19661	23183	26167	29475	31991	Yes	311							
31.50	42 x 108	48 x 114	42 x 108	73	135	23	5	13166	17594	20817	24547	27707	31209	33873	Yes	321							
16.00	48 x 48	54 x 54	48 x 48	68	75	25	5	6687	8936	10574	12468	14073	15852	17205	Yes	168							
18.00	48 x 54	54 x 60	48 x 54	76	75	25	5	7523	10054	11895	14027	15832	17834	19356	Yes	187							
20.00	48 x 60	54 x 66	48 x 60	73	87	25	5	8359	11171	13217	15586	17591	19815	21506	Yes	216							
22.00	48 x 66	54 x 72	48 x 66	79	87	25	5	9195	12288	14539	17144	19351	21797	23657	Yes	246							
24.00	48 x 72	54 x 78	48 x 72	76	99	25	5	10031	13405	15861	18703	21110	23778	25808	Yes	242							
26.00	48 x 78	54 x 84	48 x 78	73	111	25	5	10867	14522	17182	20261	22869	25760	27958	Yes	281							
28.00	48 x 84	54 x 90	48 x 84	79	111	25	5	11703	15639	18504	21820	24628	27741	30109	Yes	319							
30.00	48 x 90	54 x 96	48 x 90	76	123	25	5	12539	16756	19826	23378	26387	29723	32260	Yes	310							
32.00	48 x 96	54 x 102	48 x 96	81	123	25	5	13375	17873	21148	24937	28146	31704	34410	Yes	350							
34.00	48 x 102	54 x 108	48 x 102	78	135	25	5	14211	18990	22469	26495	29905	33686	36561	Yes	367							
36.00	48 x 108	54 x 114	48 x 108	83	135	25	5	15047	20107	23791	28054	31665	35668	38711	Yes	381							
38.00	48 x 114	54 x 120	48 x 114	80	147	25	5	15883	21224	25113	29612	33424	37649	40862	No	398							

Fabra Hood - Gravity Relief Model FGR



Dimensional Data								Performance Data								Shipped Assembled	Galvanized Unit Weight
Throat Area	Throat Width x Length	Curb Cap Width x Length	Optional Damper Width x Length	Width	Length	Overall Height	Base Height	DUCTED STATIC PRESSURE DROP (in. wg)									
								0.024	0.043	0.060	0.084	0.107	0.136	0.160			
								NON-DUCTED STATIC PRESSURE DROP (in. wg)									
								0.042	0.075	0.105	0.146	0.186	0.236	0.278			
								HOOD AND THROAT VELOCITY (ft./min.)									
								420	560	660	780	880	990	1075			
ft ²	Inches							CFM							POUNDS		
20.25	54 x 54	60 x 60	54 x 54	85	75	26	5	8464	11310	13382	15780	17811	20063	21775	Yes	223	
22.50	54 x 60	60 x 66	54 x 60	81	87	26	5	9404	12567	14869	17534	19790	22292	24195	Yes	266	
24.75	54 x 66	60 x 72	54 x 66	78	99	26	5	10345	13824	16356	19287	21769	24521	26614	Yes	285	
27.00	54 x 72	60 x 78	54 x 72	85	99	26	5	11285	15080	17843	21040	23748	26751	29034	Yes	300	
29.25	54 x 78	60 x 84	54 x 78	82	111	26	5	12225	16337	19330	22794	25727	28980	31453	Yes	345	
31.50	54 x 84	60 x 90	54 x 84	88	111	26	5	13166	17594	20817	24547	27707	31209	33873	Yes	363	
33.75	54 x 90	60 x 96	54 x 90	85	123	26	5	14106	18850	22304	26301	29686	33438	36292	Yes	380	
36.00	54 x 96	60 x 102	54 x 96	90	123	26	5	15047	20107	23791	28054	31665	35668	38711	Yes	396	
38.25	54 x 102	60 x 108	54 x 102	87	135	26	5	15987	21364	25278	29807	33644	37897	41131	Yes	416	
40.50	54 x 108	60 x 114	54 x 108	85	147	26	5	16928	22620	26765	31561	35623	40126	43550	No	433	
42.75	54 x 114	60 x 120	54 x 114	90	147	26	5	17868	23877	28252	33314	37602	42355	45970	No	450	
25.00	60 x 60	66 x 66	60 x 60	90	87	29.5	5	10449	13963	16521	19482	21989	24769	26883	Yes	284	
27.50	60 x 66	66 x 72	60 x 66	87	99	29.5	5	11494	15360	18174	21430	24188	27246	29571	Yes	304	
30.00	60 x 72	66 x 78	60 x 72	94	99	29.5	5	12539	16756	19826	23378	26387	29723	32260	Yes	320	
32.50	60 x 78	66 x 84	60 x 78	91	111	29.5	5	13584	18152	21478	25326	28586	32200	34948	Yes	367	
35.00	60 x 84	66 x 90	60 x 84	97	111	29.5	5	14629	19548	23130	27275	30785	34677	37636	Yes	387	
37.50	60 x 90	66 x 96	60 x 90	94	123	29.5	5	15674	20945	24782	29223	32984	37154	40324	Yes	403	
40.00	60 x 96	66 x 102	60 x 96	91	135	29.5	5	16719	22341	26434	31171	35183	39631	43013	Yes	423	
42.50	60 x 102	66 x 108	60 x 102	97	135	29.5	5	17763	23737	28087	33119	37382	42108	45701	No	444	
45.00	60 x 108	66 x 114	60 x 108	94	147	29.5	5	18808	25134	29739	35067	39581	44584	48389	No	460	
47.50	60 x 114	66 x 120	60 x 114	99	147	29.5	5	19853	26530	31391	37016	41780	47061	51078	No	479	
50.00	60 x 120	66 x 126	60 x 120	96	159	29.5	5	20898	27926	33043	38964	43979	49538	53766	No	496	
30.25	66 x 66	72 x 72	66 x 66	95	99	29.5	5	12643	16895	19991	23573	26607	29971	32528	No	322	
33.00	66 x 72	72 x 78	66 x 72	103	99	29.5	5	13793	18431	21808	25716	29026	32695	35486	No	342	
35.75	66 x 78	72 x 84	66 x 78	99	111	29.5	5	14942	19967	23626	27859	31445	35420	38443	No	388	
38.50	66 x 84	72 x 90	66 x 84	96	123	29.5	5	16092	21503	25443	30002	33864	38144	41400	No	410	
41.25	66 x 90	72 x 96	66 x 90	103	123	29.5	5	17241	23039	27260	32145	36282	40869	44357	No	430	
44.00	66 x 96	72 x 102	66 x 96	100	135	29.5	5	18390	24575	29078	34288	38701	43594	47314	No	449	
46.75	66 x 102	72 x 108	66 x 102	106	135	29.5	5	19540	26111	30895	36431	41120	46318	50271	No	471	
49.50	66 x 108	72 x 114	66 x 108	103	147	29.5	5	20689	27647	32713	38574	43539	49043	53228	No	489	
52.25	66 x 114	72 x 120	66 x 114	109	147	29.5	5	21839	29183	34530	40717	45958	51767	56185	No	509	
55.00	66 x 120	72 x 126	66 x 120	106	159	29.5	5	22988	30719	36347	42860	48376	54492	59143	No	530	
57.75	66 x 126	72 x 132	66 x 126	103	171	36.5	12	24137	32255	38165	45003	50795	57217	62100	No	595	
60.50	66 x 132	72 x 138	66 x 132	108	171	36.5	12	25287	33791	39982	47146	53214	59941	65057	No	616	
36.00	72 x 72	78 x 78	72 x 72	112	99	29.5	5	15047	20107	23791	28054	31665	35668	38711	No	365	
39.00	72 x 78	78 x 84	72 x 78	108	111	29.5	5	16301	21783	25774	30392	34303	38640	41937	No	412	
42.00	72 x 84	78 x 90	72 x 84	105	123	29.5	5	17555	23458	27756	32730	36942	41612	45163	No	434	
45.00	72 x 90	78 x 96	72 x 90	112	123	29.5	5	18808	25134	29739	35067	39581	44584	48389	No	457	
48.00	72 x 96	78 x 102	72 x 96	109	135	29.5	5	20062	26809	31721	37405	42219	47557	51615	No	479	
51.00	72 x 102	78 x 108	72 x 102	115	135	29.5	5	21316	28485	33704	39743	44858	50529	54841	No	497	
54.00	72 x 108	78 x 114	72 x 108	112	147	29.5	5	22570	30161	35686	42081	47497	53501	58067	No	519	
57.00	72 x 114	78 x 120	72 x 114	109	159	29.5	5	23824	31836	37669	44419	50136	56474	61293	No	541	
60.00	72 x 120	78 x 126	72 x 120	115	159	29.5	5	25078	33512	39652	46757	52774	59446	64519	No	607	
63.00	72 x 126	78 x 132	72 x 126	112	171	36.5	12	26332	35187	41634	49094	55413	62418	67745	No	629	
66.00	72 x 132	78 x 138	72 x 132	117	171	36.5	12	27586	36863	43617	51432	58052	65390	70971	No	648	
69.00	72 x 138	78 x 144	72 x 138	114	183	36.5	12	28840	38538	45599	53770	60690	68363	74197	No	670	
72.00	72 x 144	78 x 150	72 x 144	119	183	36.5	12	30093	40214	47582	56108	63329	71335	77423	No	690	
75.00	72 x 150	78 x 156	72 x 150	117	195	36.5	12	31347	41890	49564	58446	65968	74307	80649	No	759	
78.00	72 x 156	78 x 162	72 x 156	121	195	36.5	12	32601	43565	51547	60784	68607	77280	83875	No	834	
81.00	72 x 162	78 x 168	72 x 162	118	207	36.5	12	33855	45241	53530	63121	71245	80252	87101	No	918	
84.00	72 x 168	78 x 174	72 x 168	116	219	36.5	12	35109	46916	55512	65459	73884	83224	90327	No	1010	
87.00	72 x 174	78 x 180	72 x 174	120	219	36.5	12	36363	48592	57495	67797	76523	86197	93553	No	1111	
90.00	72 x 180	78 x 186	72 x 180	118	231	36.5	12	37617	50268	59477	70135	79161	89169	96779	No	1222	



Construction Features

When you buy a Greenheck Gravity Ventilator, you receive a ventilator with the industry's best performance and durability for intake (model GRSI) or relief (model GRSR) for natural gravity or positive pressure systems. Exceptional low silhouette design and construction features make this unit a rugged, efficient and economical air inlet or outlet.

- Broadest performance in the industry, up to 18,400 cfm (31,300 m³/hr)
- Most advanced weather protection of any ventilator in its class
- Greenheck subjects these products to extensive life testing, assuring the ventilator will provide years of reliable performance

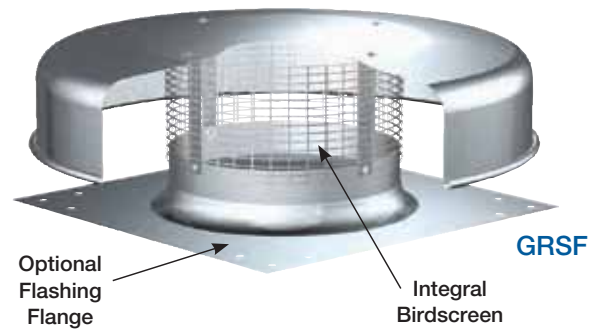
- All aluminum exterior for corrosion-resistant construction
- Integral birdscreen to prevent entry of birds and/or small objects
- Built-in curb cap with prepunched holes for easy attachment to roof curbs
- Optional built-in flashing flange (model GRSF) with prepunched holes for quick and easy installations without a roof curb.

The GRS can be used with the following accessories:

Gravity or motorized dampers to assure weather tightness.

Prefab curbs to reduce installation time.

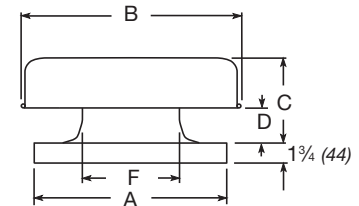
Protective coatings to extend the life of the unit or blend its color with other equipment.



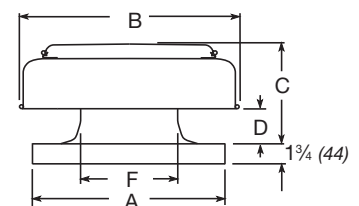
Dimensions										
Model Size	A	B	C	D	E	F	Damper Size	Curb Thickness	Shroud Thickness	Unit Weight
8	19 (483)	20½ (521)	7¼ (184)	1½ (38)	20¼ (514)	8¼ (210)	8 x 8 (203 x 203)	0.051 (1.3)	0.051 (1.3)	7 (3)
10	19 (483)	20½ (521)	7¼ (197)	2 (51)	20¼ (514)	10¼ (260)	10 x 10 (254 x 254)	0.051 (1.3)	0.051 (1.3)	8 (4)
12	22 (559)	29 (737)	10 (254)	3½ (89)	23¼ (591)	12¼ (311)	12 x 12 (305 x 305)	0.064 (1.6)	0.064 (1.6)	10 (5)
15	22 (559)	29 (737)	10 (254)	3½ (89)	23¼ (591)	14¼ (362)	16 x 16 (406 x 406)	0.064 (1.6)	0.064 (1.6)	13 (6)
16	26 (660)	29 (737)	11 (279)	4¼ (108)	27¼ (692)	16¼ (413)	16 x 16 (406 x 406)	0.064 (1.6)	0.064 (1.6)	16 (7)
18	30 (762)	35½ (902)	9¼ (248)	1¼ (44)	31¼ (794)	20¼ (514)	18 x 18 (457 x 457)	0.064 (1.6)	0.064 (1.6)	19 (9)
20	30 (762)	35½ (902)	11¼ (286)	3¼ (95)	31¼ (794)	20¼ (514)	18 x 18 (457 x 457)	0.064 (1.6)	0.064 (1.6)	24 (11)
24	34 (864)	38¼ (972)	11 (279)	4 (102)	35¼ (895)	24½ (622)	24 x 24 (610 x 610)	0.064 (1.6)	0.064 (1.6)	29 (13)
30	40 (1016)	48 (1219)	18¾ (476)	5¼ (138)	-	30½ (775)	30 x 30 (762 x 762)	0.064 (1.6)	0.064 (1.6)	35 (16)
36	46 (1168)	56¼ (1441)	21¼ (540)	6 (152)	-	36½ (927)	36 x 36 (914 x 914)	0.064 (1.6)	0.080 (2.0)	45 (20)
42	52 (1321)	63¼ (1607)	24¼ (616)	6¼ (159)	-	42½ (1089)	42 x 42 (1067 x 1067)	0.064 (1.6)	0.080 (2.0)	60 (27)
48	58 (1473)	72 (1829)	26¼ (667)	6½ (165)	-	48½ (1232)	48 x 48 (1219 x 1219)	0.064 (1.6)	0.080 (2.0)	80 (36)

All dimensions in inches (millimeters) and the weight in pounds (kilograms). NOTE: Sizes GRS-8 through 24 have a one-piece cover and shroud. Access is gained through the removal of screws. Sizes GRS-30 through 48 have a removable cover, separate from the shroud, to facilitate maintenance and servicing of dampers.

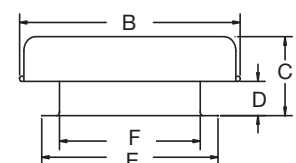
GRSI/GRSR Sizes 8 - 24



GRSI/GRSR - Sizes 30 - 48



GRSF - Sizes 8 - 24 with Optional Flashing Flange



Performance

Performance data for these units was obtained through actual testing. The information is presented in capacity versus total pressure drop through the GRS. Total pressure drop includes the static and velocity pressure drops. To find the static drop alone, use the following equations.

$$\text{Throat Velocity} = \left[\frac{\text{CFM}}{\text{Throat Area}} \right]$$

$$\text{Static Pressure} = \left[\text{Total Pressure} \right] - \left[\text{Velocity Pressure} \right]$$

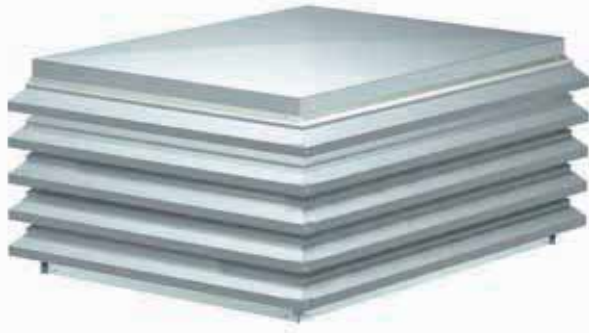
$$\text{Velocity Pressure (in. wg)*} = \left[\frac{\text{Throat Velocity}}{4008.6} \right]^2$$

*1 inch wg = 249 Pa

The data is presented for both discharge and intake units. The intake velocity of the intake unit should not exceed 600 feet per minute. Above this velocity, airborne particles may be carried into the building. The table below displays the maximum recommended values for the respective intake units. In areas where snow depths may be a problem, 12 inch (305 mm) or higher curbs are recommended.

		Volume (CFM)										Recommended Maximum Intake Capacities		
		GRSI Size	Throat Area (ft ²)	Total Pressure Drop (in. wg)								Intake Area (ft ²)	Max. CFM Intake	
				0.04	0.06	0.08	0.10	0.15	0.20	0.25	0.30			0.35
Model GRSI	Intake Performance	8	0.37	178	218	252	282	345	398	445	488	527	1.30	780
		10	0.57	279	342	395	442	541	624	698	765	826	1.72	1032
		12	0.82	400	490	566	633	775	895	1001	1097	1184	2.52	1512
		15	1.12	553	677	782	874	1071	1237	1383	1515	1636	2.57	1542
		16	1.45	742	908	1049	1173	1436	1658	1854	2031	2194	3.02	1812
		18	1.83	901	1104	1274	1425	1745	2015	2253	2468	2665	3.42	2052
		20	2.25	1096	1343	1550	1733	2123	2452	2741	3002	3243	4.43	2658
		24	3.24	1542	1888	2180	2438	2985	3447	3854	4222	4560	4.95	2970
		30	5.03	2013	2465	2847	3183	3898	4501	5032	5512	5954	7.49	4496
		36	7.29	2921	3577	4130	4618	5656	6531	7301	7998	8639	10.2	6111
		42	9.77	3911	4791	5532	6185	7574	8746	9779	10712	11570	12.0	7159
		48	12.8	5139	6294	7268	8126	9952	11491	12848	14074	15201	15.5	9286
Model GRSR	Relief Performance	GRSR Size	Throat Area (ft ²)	Total Pressure Drop (in. wg)								Table is based on 600 ft/min. maximum intake velocity. Above these values (numbers in gray), provisions should be made to contain incoming moisture.		
				0.04	0.06	0.08	0.10	0.15	0.20	0.25	0.30			0.35
		8	0.37	231	282	326	365	446	516	576	631			682
		10	0.57	331	406	468	524	641	741	828	907			980
		12	0.82	468	573	662	740	907	1047	1171	1282			1385
		15	1.12	663	811	937	1048	1283	1481	1656	1814			1960
		16	1.45	870	1065	1230	1375	1685	1945	2175	2382			2573
		18	1.83	1060	1298	1499	1676	2052	2370	2649	2902			3135
		20	2.25	1284	1572	1815	2029	2486	2870	3209	3515			3797
		24	3.24	1879	2301	2657	2971	3638	4201	4697	5145			5558
		30	5.03	2281	2794	3226	3607	4418	5101	5703	6247	6748		
		36	7.29	3279	4016	4637	5184	6349	7331	8197	8979	9699		
		42	9.77	4672	5722	6607	7387	9047	10447	11680	12795	13820		
		48	12.8	6211	7607	8783	9820	12027	13888	15527	17009	18372		

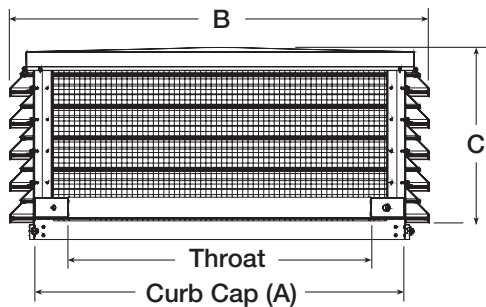
Louvered Penthouse Models WIH/WRH



Greenheck designs penthouse units for aesthetically pleasing gravity intake or relief applications.

- Clean horizontal lines blend perfectly with modern architecture.
- The special louver design results in low pressure drops, low hood heights and maintains maximum weather resistance.
- All-aluminum construction assures lasting durability and appearance.
- The removable cover is equipped with insulation to prevent condensation.

DIMENSIONAL DRAWING FOR CHARTS



The flexible design of the WIH (intake) and WRH (relief) allow the units to be shipped in pre-assembled sections. These sections are easy to assemble on the jobsite without special tools. All required fasteners and complete assembly instructions are shipped with each unit.

Options include a variety of bird and insect screens, dampers, roof curbs, special finishes and factory assembled based on shipping limitations.

Use these tables for specific product dimensions

Dimensional & Performance Data						Intake (WIH) Volume (cfm)						Relief (WRH) Volume (cfm)						
Dimensions (inches)						Total Pressure Drop (in. wg*)						Total Pressure Drop (in. wg*)						
						.008 .029 .045 .065 .088 .115						.025 .055 .075 .098 .125 .154 .221						
Throat Area (ft²) A B C Number of Louvers						THROAT VELOCITY (ft/min.)						THROAT VELOCITY (ft/min.)						
						200	400	500	600	700	800	400	600	700	800	900	1000	1200
12 x 12	1.00	20 x 20	26 x 26	12 1/4	3	200	400	500	600	700	800	400	600	700	800	900	1000	1200
12 x 14	1.20	20 x 22	26 x 28	12 1/4	3	240	480	600	720	840	960	480	720	840	960	1080	1200	1440
12 x 16	1.30	20 x 24	26 x 30	12 1/4	3	260	520	650	780	910	1040	520	780	910	1040	1170	1300	1560
12 x 18	1.50	20 x 26	26 x 32	12 1/4	3	300	600	750	900	1050	1200	600	900	1050	1200	1350	1500	1800
12 x 22	1.80	20 x 30	26 x 36	12 1/4	3	360	720	900	1080	1260	1440	720	1080	1260	1440	1620	1800	2160
12 x 24	2.00	20 x 32	26 x 38	12 1/4	3	400	800	1000	1200	1400	1600	800	1200	1400	1600	1800	2000	2400
14 x 14	1.36	22 x 22	28 x 28	12 1/4	3	272	544	680	816	952	1088	544	816	952	1088	1224	1360	1632
14 x 16	1.55	22 x 24	28 x 30	12 1/4	3	310	620	775	930	1085	1240	620	930	1085	1240	1395	1550	1860
14 x 18	1.75	22 x 26	28 x 32	12 1/4	3	350	700	875	1050	1225	1400	700	1050	1225	1400	1575	1750	2100
14 x 20	1.95	22 x 28	28 x 34	12 1/4	3	390	780	975	1170	1365	1560	780	1170	1365	1560	1755	1950	2340
14 x 24	2.34	22 x 32	28 x 38	12 1/4	3	468	936	1170	1404	1638	1872	936	1404	1638	1872	2106	2340	2808
14 x 28	2.70	22 x 36	28 x 42	12 1/4	3	540	1080	1350	1620	1890	2160	1080	1620	1890	2160	2430	2700	3240
16 x 16	1.78	24 x 24	30 x 30	12 1/4	3	356	712	890	1068	1246	1424	712	1068	1246	1424	1602	1780	2136
16 x 20	2.22	24 x 28	30 x 34	12 1/4	3	444	888	1110	1332	1554	1776	888	1332	1554	1776	1998	2220	2664
16 x 24	2.68	24 x 30	30 x 36	12 1/4	3	536	1072	1340	1608	1876	2144	1072	1608	1876	2144	2412	2680	3216
16 x 28	3.11	24 x 36	30 x 42	12 1/4	3	622	1244	1555	1866	2177	2488	1244	1866	2177	2488	2799	3110	3732
16 x 30	3.33	24 x 38	30 x 44	12 1/4	3	666	1332	1665	1998	2331	2664	1328	1992	2324	2656	2988	3320	3984
16 x 32	3.55	24 x 40	30 x 46	12 1/4	3	710	1420	1775	2130	2485	2840	1420	2130	2485	2840	3195	3550	4260
18 x 18	2.25	26 x 26	32 x 32	12 1/4	3	450	900	1125	1350	1575	1800	900	1350	1575	1800	2025	2250	2700
18 x 24	3.00	26 x 32	32 x 38	12 1/4	3	600	1200	1500	1800	2100	2400	1200	1800	2100	2400	2700	3000	3600
18 x 26	3.25	26 x 34	32 x 40	12 1/4	3	650	1300	1625	1950	2275	2600	1300	1950	2275	2600	2925	3250	3900
18 x 30	3.74	26 x 38	32 x 44	12 1/4	4	748	1496	1870	2244	2618	2992	1496	2004	2618	2992	3366	3740	4488
18 x 32	4.00	26 x 40	32 x 46	12 1/4	4	800	1600	2000	2400	2800	3200	1600	2400	2800	3200	3600	4000	4800
18 x 36	4.50	26 x 44	32 x 50	16	4	900	1800	2250	2700	3150	3600	1800	2700	3150	3600	4050	4500	5400
22 x 22	3.37	30 x 30	36 x 36	16	4	674	1348	1685	2022	2359	2696	1348	2022	2359	2696	3033	3370	4044
22 x 26	3.97	30 x 34	36 x 40	16	4	794	1588	1985	2382	2779	3176	1588	2382	2779	3176	3573	3970	4764
22 x 30	4.60	30 x 38	36 x 44	16	4	920	1840	2300	2760	3220	3680	1840	2760	3220	3680	4140	4600	5520
22 x 36	5.50	30 x 44	36 x 50	16	5	1100	2200	2750	3300	3850	4400	2200	3300	3850	4400	4950	5500	6600
22 x 40	6.10	30 x 48	36 x 54	16	5	1220	2440	3050	3660	4270	4880	2440	3660	4270	4880	5490	6100	7320
22 x 44	6.73	30 x 52	36 x 58	16	5	1346	2692	3365	4038	4711	5384	2692	4038	4711	5384	6057	6730	8076
24 x 24	4.00	32 x 32	38 x 38	16	4	800	1600	2000	2400	2800	3200	1600	2400	2800	3200	3600	4000	4800
24 x 30	5.00	32 x 38	38 x 44	16	5	1000	2000	2500	3000	3500	4000	2000	3000	3500	4000	4500	5000	6000
24 x 36	6.00	32 x 44	38 x 50	16	5	1200	2400	3000	3600	4200	4800	2400	3600	4200	4800	5400	6000	7200
24 x 40	6.67	32 x 48	38 x 54	16	5	1334	2668	3335	4002	4669	5336	2668	4002	4669	5336	6003	6670	8004
24 x 44	7.35	32 x 52	38 x 58	19 1/4	5	1470	2940	3675	4410	5145	5880	2940	4410	5145	5880	6615	7350	8820
24 x 48	8.00	32 x 56	38 x 62	19 1/4	5	1600	3200	4000	4800	5600	6400	3200	4800	5600	6400	7200	8000	9600

*Total pressure drop includes velocity pressure losses at outlet of throat but does not include birdscreen loss. Increase the total pressure drop with a 1.15 multiplier to allow for birdscreen pressure drop.

Louvered Penthouse Models WIH/WRH

Construction Features

Weathershield

The interior vertical edge of the curb cap forms the throat and weathershield. Each corner is also shielded to prevent leakage.



The louvers are mounted 4 inches from the roof opening for added weather protection.

Multi-section hood covers

Covers hinge open for easy access.

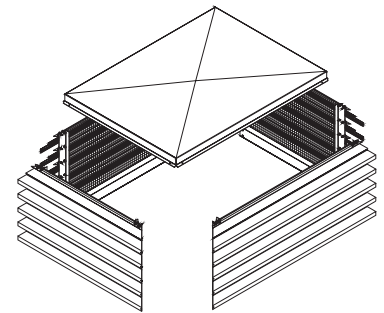
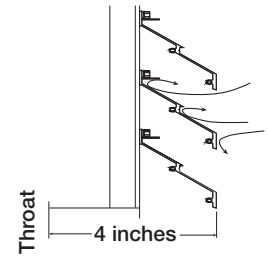
Weather Resistant Louver Blades

Each unit features weather resistant aluminum louver blades with mitered corners. The sturdy extruded aluminum louver blade has a material thickness of 0.080 inches.

Assembled Sides and Cover

The unit is made into four side sections and a reinforced cover. A factory assembled side consists of the curb cap, vertical supports, and the quantity of louvers required for the specified height.

The sides are joined at the four corners by stainless steel screws in each louver. These screws are countersunk to maintain the appearance of the mitered corner. The cover is securely fastened to the unit by stainless steel fasteners.



Note: For other sizes please consult factory

Dimensional & Performance Data						Intake (WIH) Volume (cfm)					Relief (WRH) Volume (cfm)							
Dimensions (inches)						Total Pressure Drop (in. wg*)					Total Pressure Drop (in. wg*)							
						.008	.029	.045	.065	.088	.115	.025	.055	.075	.098	.125	.154	.221
						THROAT VELOCITY (ft/min.)					THROAT VELOCITY (ft/min.)							
Throat	Area (ft ²)	A	B	C	Number of Louvers	200	400	500	600	700	800	400	600	700	800	900	1000	1200
28 x 28	5.44	36 x 36	42 x 42	19 1/4	5	1088	2176	2720	3264	3808	4352	2176	3264	3808	4352	4896	5440	6528
28 x 36	7.00	36 x 44	42 x 50	19 1/4	5	1400	2800	3500	4200	4900	5600	2800	4200	4900	5600	6300	7000	8400
28 x 40	7.80	36 x 48	42 x 54	19 1/4	5	1560	3900	4680	5460	6240	7020	3120	4680	5460	6240	7020	7800	9360
28 x 44	8.55	36 x 52	42 x 58	19 1/4	5	1710	3420	4275	5130	5985	6840	3420	5130	5985	6840	7695	8550	10260
28 x 50	9.75	36 x 58	42 x 64	19 1/4	5	1950	3900	4875	5850	6825	7800	3900	5850	6825	7800	8775	9750	11700
28 x 56	10.9	36 x 64	42 x 70	23 1/2	6	2180	4360	5450	6540	7630	8720	4360	6540	7630	8720	9810	10900	13080
32 x 32	7.10	40 x 40	46 x 46	19 1/4	5	1420	2840	3550	4260	4970	5680	2840	4260	4970	5680	6390	7100	8520
32 x 36	8.00	40 x 44	46 x 50	19 1/4	5	1600	3200	4000	4800	5600	6400	3200	4800	5600	6400	7200	8000	9600
32 x 40	8.90	40 x 48	46 x 54	19 1/4	5	1780	3560	4450	5340	6230	7120	3560	5340	6230	7120	8010	8900	10680
32 x 48	10.7	40 x 56	46 x 62	23 1/2	6	2140	4280	5350	6420	7490	8560	4280	6420	7490	8560	9630	10700	12840
32 x 54	12.0	40 x 62	46 x 68	23 1/2	6	2400	4800	6000	7200	8400	9600	4800	7200	8400	9600	10800	12000	14400
32 x 64	14.2	40 x 72	46 x 78	27 1/4	7	2840	5680	7100	8520	9940	11360	5680	8520	9940	11360	12780	14200	17040
36 x 36	9.00	44 x 44	50 x 50	19 1/4	5	1800	3600	4500	5400	6300	7200	3600	5400	6300	7200	8100	9000	10800
36 x 40	10.0	44 x 48	50 x 54	23 1/2	6	2000	4000	5000	6000	7000	8000	4000	6000	7000	8000	9000	10000	12000
36 x 48	12.0	44 x 56	50 x 62	23 1/2	6	2400	4800	6000	7200	8400	9600	4800	7200	8400	9600	10800	12000	14400
36 x 54	13.5	44 x 62	50 x 68	23 1/2	6	2700	5400	6750	8100	9950	10800	5400	8100	9450	10800	12150	13500	16200
36 x 60	15.0	44 x 68	50 x 74	27 1/4	6	3000	6000	7500	9000	10500	12000	6000	9000	10500	12000	13500	15000	18000
36 x 72	18.0	44 x 80	50 x 86	27 1/4	7	3600	7200	9000	10800	12600	14400	7200	10800	12600	14400	16200	18000	21600
42 x 42	12.3	50 x 50	56 x 56	23 1/2	6	2450	4900	6125	7350	8575	9800	4900	7350	8575	9800	11025	12250	14700
42 x 48	14.0	50 x 56	56 x 62	27 1/4	7	2800	5600	7000	8400	9800	11200	5600	8400	9800	11200	12600	14000	16800
42 x 54	15.8	50 x 62	56 x 68	27 1/4	7	3150	6300	7875	9450	11025	12600	6300	9450	11025	12600	14175	15750	18900
42 x 60	17.5	50 x 68	56 x 74	31	8	3500	7000	8750	10500	12250	14000	7000	10500	12250	14000	15750	17500	21000
42 x 72	21.0	50 x 80	56 x 86	31	8	4200	8400	10500	12600	14700	16800	8400	12600	14700	16800	18900	21000	25200
42 x 84	24.5	50 x 92	56 x 98	34 1/4	9	4900	9800	12250	14700	17150	19600	9800	14700	17150	19600	22050	24500	29400
48 x 48	16.0	56 x 56	62 x 62	27 1/4	7	3200	6400	8000	9600	11200	12800	6400	9600	11200	12800	14400	16000	19200
48 x 54	18.0	56 x 62	62 x 68	27 1/4	8	3600	7200	9000	10800	12600	14400	7200	10800	12600	14400	16200	18000	21600
48 x 64	21.4	56 x 72	62 x 78	31	8	4280	8560	10700	12840	14980	17120	8560	12840	14980	17120	19260	21400	25680
48 x 72	24.0	56 x 80	62 x 86	34 1/4	9	4800	9600	12000	14400	16800	19200	9600	14400	16800	19200	21600	24000	28800
48 x 84	28.0	56 x 92	62 x 98	34 1/4	10	5600	11200	14000	16800	19600	22400	11200	16800	19600	22400	25200	28000	33600
48 x 96	32.0	56 x 104	62 x 110	38 1/2	10	6400	12800	16000	19200	22400	25600	12800	19200	22400	25600	28800	32000	38400
54 x 54	20.3	62 x 62	68 x 68	31	8	4050	8100	10125	12150	14175	16200	8100	12150	14175	16200	18225	20250	24300
54 x 60	22.0	62 x 68	68 x 74	31	9	4400	8800	11000	13200	15400	17600	8800	13200	15400	17600	19800	22000	26400
54 x 72	27.0	62 x 80	68 x 86	34 1/4	10	5400	10800	13500	16200	18900	21600	10800	16200	18900	21600	24300	27000	32400
54 x 84	31.5	62 x 92	68 x 98	38 1/2	10	6300	12600	15750	18900	22050	25200	12600	18900	22050	25200	28350	31500	37800
54 x 96	36.0	62 x 104	68 x 110	38 1/2	11	7200	14400	18000	21600	25200	28800	14400	21600	25200	28800	32400	36000	43200
54 x 108	40.5	62 x 116	68 x 122	42 1/2	11	8100	16200	20250	24300	28350	32400	16200	24300	28350	32400	36450	40500	48600
60 x 60	25.0	68 x 68	74 x 74	34 1/4	9	5000	10000	12500	15000	17500	20000	10000	15000	17500	20000	22500	25000	30000
60 x 72	30.0	68 x 80	74 x 86	38 1/2	10	6000	12000	15000	18000	21000	24000	12000	18000	21000	24000	27000	30000	36000
60 x 84	35.0	68 x 92	74 x 98	42 1/4	11	7000	14000	17500	21000	24500	28000	14000	21000	24500	28000	31500	35000	42000
60 x 96	40.0	68 x 104	74 x 110	42 1/2	12	8000	16000	20000	24000	28000	32000	16000	24000	28000	32000	36000	40000	48000
60 x 108	45.0	68 x 116	74 x 122	46	13	9000	18000	22500	27000	31500	36000	18000	27000	31500	36000	40500	45000	54000
60 x 120	50.0	68 x 128	74 x 134	46	13	10000	20000	25000	30000	35000	40000	20000	30000	35000	40000	45000	50000	60000

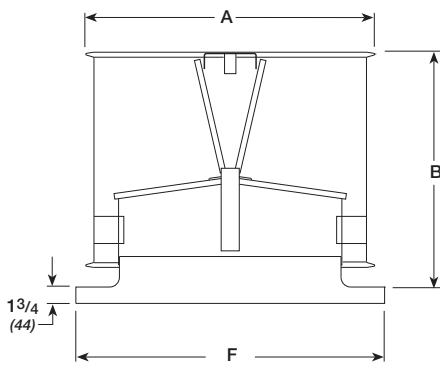
Upblast Ventilator Model RGU



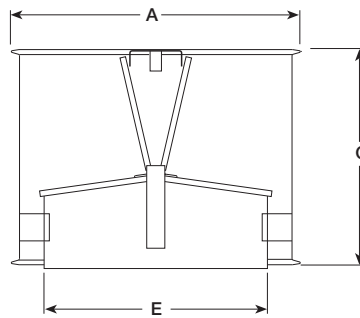
Model RGU is designed for use as a weatherproof outlet on vertical high velocity exhaust systems and can be furnished without the curb cap to allow for direct mounting on round stacks.

Standard construction is heavy-gauge galvanized steel. Nine sizes are available, corresponding to powered units in sizes 18-60.

Fusible link damper lifters are available to allow the RGU units to function as heat and smoke relief vents.



RGU with curb cap



RGU without curb cap

Model RGU Dimensional Data						Maximum Recommended Roof Opening	Approximate Weight (lb) (kg)
Model Size	A	B	C	E	F - Curb Cap		
18	25 (635)	22 (559)	20¼ (514)	18½ (470)	28 (711)	22 (559)	120 (54)
20	27¼ (692)	24 (610)	21¼ (540)	20½ (521)	30 (762)	24 (610)	140 (64)
24	31½ (791)	26 (660)	24 (609)	24½ (622)	34 (864)	28 (711)	160 (73)
30	37¾ (949)	30 (762)	26¾ (679)	30¾ (778)	40 (1016)	34 (864)	175 (79)
36	43½ (1105)	33 (838)	29¼ (743)	36¾ (930)	46 (1168)	40 (1016)	190 (86)
42	48¾ (1241)	38 (965)	34¼ (870)	42¾ (1086)	52 (1321)	46 (1168)	245 (111)
48	56 (1422)	40 (1016)	34¼ (870)	48½ (1232)	58 (1473)	52 (1321)	295 (114)
54	62¾ (1591)	45 (1143)	40¼ (1022)	55 (1397)	66½ (1689)	60 (1524)	450 (204)
60	68¾ (1746)	48 (1219)	43¾ (1095)	61 (1549)	72½ (1842)	66 (1676)	600 (272)

All dimensions shown in inches (millimeters).

RGU - Performance Data										
Model Size	Throat Area (ft ²)	Volume (cfm) / Total Pressure Drop (in. wg)							Minimum CFM for Dampers to open	
		0.1	0.2	0.3	0.4	0.5	0.6	0.7	Aluminum	Galvanized
18	1.83	1460	2065	2530	2921	3265	3577	3864	2750	3520
20	2.26	1825	2581	3162	3651	4081	4471	4830	3170	4090
24	3.24	2800	3959	4851	5601	6260	6859	7409	3950	5220
30	5.03	4781	6759	8281	9562	10687	11709	12648	6050	7130
36	7.22	7602	10749	13168	15206	16995	18620	20113	7620	10980
42	9.85	10290	14548	17823	20580	23002	25201	27222	11050	13550
48	12.83	14142	19994	24494	28284	31612	34635	37412	12820	16420
54	16.50	18508	26155	32041	36999	41352	45306	48940	21430	21430
60	20.29	24031	33981	41630	48071	53727	58863	63585	24820	24820

Values shown in gray are not recommended.

Fabra Hood - FGI/FGR

Gravity roof ventilators shall be constructed of heavy-gauge aluminum or galvanized steel as specified.

Hoods shall be constructed of precision formed, arched panels with interlocking seams.

Bases shall be constructed so that the curb cap is 6 inches (152 mm) larger than the throat size.

Standard base height shall be 5 inches (127 mm) for most sizes. Optional 12-inch (305 mm) bases shall be furnished as specified for intake applications to restrict entry of moisture and for all applications where rain and/or snow may accumulate on the roof deck.

Hood support members shall be constructed of galvanized steel and fastened so that the hood can be either removed completely from the base or hinged open.

Birdscreens constructed of 1/2-inch (13 mm) galvanized steel mesh shall be mounted horizontally across the intake/discharge area of the hood.

Gravity hoods shall be Fabra Hood model FGI for intake or model FGR for relief as manufactured by Greenheck Fan Corporation of Schofield, Wisconsin and/or in Rocklin, California, USA.

Spun Aluminum Gravity Roof Ventilator - GRSI/GRSR

Exterior construction shall be heavy-gauge aluminum windband with a rolled bead.

Curb cap shall be constructed of heavy-gauge aluminum and includes a one-piece spun venturi.

Curb cap shall be prepunched for mounting.

Internal components shall be constructed of rigid galvanized steel and include birdscreen.

Ventilator shall be models GRSI, GRSR or GRSF as manufactured by Greenheck Fan Corporation, Schofield, Wisconsin, USA.

Louvered Penthouse - WIH/WRH

Models WIH and WRH shall be low silhouette louvered penthouse units for intake or relief applications.

Construction shall be all-aluminum to assure lasting durability and appearance.

Unit shall have a removable aluminum cover for internal access and shall be lined with fiberglass insulation to prevent condensation.

Cover shall be securely fastened to the unit by corrosion-resistant fasteners.

Birdscreen shall be constructed of 1/2-inch (13 mm) mesh securely mounted across intake/relief openings.

Units shall feature a weather-resistant 0.080-inch (2 mm) aluminum louver with mitered corners.

Louvers shall be mounted 4 inches (102 mm) from the throat for maximum weather protection.

Louver design shall result in low pressure drops, low hood heights and maintain maximum weather resistance.

Louvered Penthouses shall be models WIH or WRH shall be manufactured by Greenheck Fan Corporation, in Schofield, Wisconsin and/or in Rocklin, California, USA.

Greenheck Services

Enjoy Greenheck's extraordinary service, before, during and after the sale.



Greenheck offers added value to our wide selection of top performing, energy-efficient products by providing several unique Greenheck service programs.

- Our **Quick Delivery** Program ensures shipment of our in-stock products within 24 hours of placing your order. Our **Quick Build** made-to-order products can be produced in 1-3-5-10-15 or 25-day production cycles, depending upon their complexity.
- Greenheck's free **Computer Aided Product Selection** program (CAPS), rated by many as the best in the industry, helps you conveniently and efficiently select the right products for the challenge at hand.
- Greenheck has been **Green** for a long time! Our energy-saving products and ongoing corporate commitment to sustainability can help you qualify for LEED credits.
- Our **3D service** allows you to download at no charge lightweight, easy-to-use AutoDesk® Revit® 3D drawings for many of our ventilation products.

Find out more about these special Greenheck services at greenheck.com



Building Value in Air

Greenheck delivers value to mechanical engineers by helping them solve virtually any air quality challenges their clients face with a comprehensive selection of

top quality, innovative air-related equipment. We offer extra value to contractors by providing easy-to-install, competitively priced, reliable products that arrive on time.

And building owners and occupants value the energy efficiency, low maintenance and quiet dependable operation they experience long after the construction project ends.

Our Commitment

As a result of our commitment to continuous improvement, Greenheck reserves the right to change specifications without notice.

Specific Greenheck product warranties are located on greenheck.com within the product area tabs and in the Library under Warranties.



Prepared to Support Green Building Efforts

