

# Roof & Sidewall Mounted



UL/cUL 705 Power Ventilators  
E40001 - G and GB

UL/cUL Power Ventilators for Smoke  
Control Systems MH11711 - GB



UL/cUL Listed 705 is standard on In Stock models

Model G and GB are AMCA Licensed for Sound and Air Performance

## Model G Direct Drive and GB Belt Drive

Centrifugal downblast fans are designed for clean air exhaust applications requiring roof mounting.

### Quick Delivery / Quick Build Performance

G capacities range from 50 to 6,600 cfm and 2.75 in. wg of static pressure.

GB capacities range from 70 to 44,700 cfm and 2.75 in. wg of static pressure.

| Standard Construction   |       | G | GB |
|---|-------|---|----|
| Housing - aluminum  |       | ■ | ■  |
| Wheel - backward-inclined, aluminum   |       | ■ | ■  |
| Birdscreen - galvanized   |       | ■ | ■  |
| Corrosion-resistant fasteners   |       | ■ | ■  |
| NEMA-1 disconnect switch  |       | ■ | ■  |
| Ball bearing motor - 1/4 hp and larger  |       | ■ | ■  |
| Double-studded vibration isolators  |       | ■ | ■  |
| Three speed motor - sizes 060 through 095   |       | ■ |    |
| Lifting lugs  |       |   | ■  |
| Adjustable motor pulley   |       |   | ■  |
| Options and Accessories   | Stock | G | GB |
| Vari-Green® motor - 80% turndown, 85% efficient<br><i>Available as standard on select sizes</i> | ✓     | ■ |    |
| Damper  | ✓     | ■ | ■  |
| Hinged curb cap with cables   | ✓     | ■ | ■  |
| Roof curb   | ✓     | ■ | ■  |
| Roof curb accessories - seals, adaptors, extensions   |       | ■ | ■  |
| Speed control   | ✓     | ■ |    |
| Birdscreen - aluminum, stainless steel  |       | ■ | ■  |
| Tie-down points   |       | ■ | ■  |
| NEMA rated disconnect switch  |       | ■ | ■  |
| Dual drives   |       |   | ■  |
| Relubricatable bearings   |       |   | ■  |
| Decorative or protective powder coating   |       | ■ | ■  |
| Certified for high wind and seismic applications  |       | ■ | ■  |
| UL/cUL Listed Power Ventilators   |       | ■ | ■  |
| UL/cUL Listed Power Ventilators for Smoke Control Systems                                       |       |   | ■  |

4

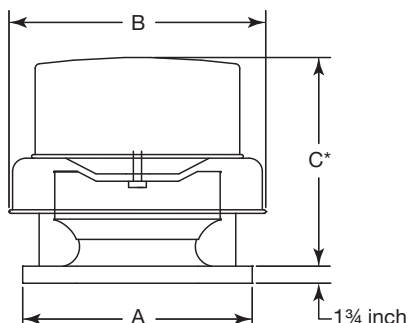
| Model                                | Best Available Program |
|--------------------------------------|------------------------|
| G-060 through 095, 099 through 143   | In Stock               |
| GB-071 through 200, 240 and 300      |                        |
| G-097 and 098 163 and 203            | 1 Day                  |
| GB-220, 260, 330 through 540         |                        |
| High Pressure GB 101HP through 360HP |                        |



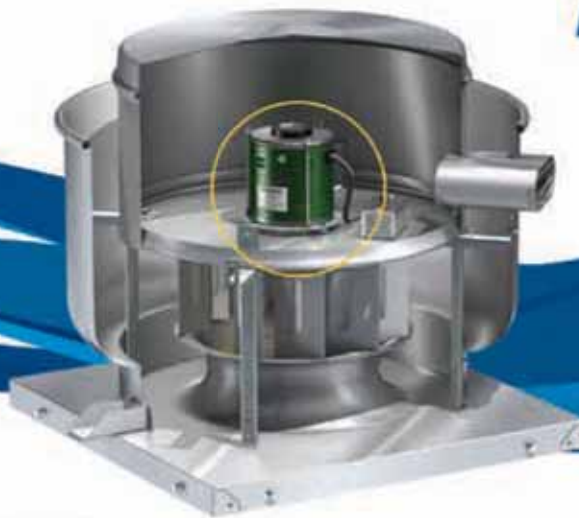
Select sizes and models with the Vari-Green® motor are available in stock.

### Dimensions for G, GB

| Model Size                                       | A  | B                              | C*                             | Nominal Sq. Sizes |           |                                |
|--|----|--------------------------------|--------------------------------|-------------------|-----------|--------------------------------|
|  |    |                                |                                | Damper            | Roof Curb | Roof Opening                   |
| 060, 065, 070, 075                               | 17 | 19 <sup>9</sup> / <sub>8</sub> | 12 <sup>1</sup> / <sub>8</sub> | 8                 | 17        | 10 <sup>1</sup> / <sub>2</sub> |
| 080, 085, 090, 095                               | 17 | 21 <sup>3</sup> / <sub>4</sub> | 14 <sup>5</sup> / <sub>8</sub> | 10                | 17        | 12 <sup>1</sup> / <sub>2</sub> |
| 071, 081, 091, 097, 098, 099, 101, 103, 121, 123 | 19 | 24 <sup>3</sup> / <sub>8</sub> | 23 <sup>3</sup> / <sub>4</sub> | 12                | 19        | 14 <sup>1</sup> / <sub>2</sub> |
| 131, 133   | 19 | 28 <sup>5</sup> / <sub>8</sub> | 23 <sup>3</sup> / <sub>4</sub> | 12                | 19        | 14 <sup>1</sup> / <sub>2</sub> |
| 141, 143, 161, 163                               | 22 | 28 <sup>5</sup> / <sub>8</sub> | 23 <sup>3</sup> / <sub>4</sub> | 16                | 22        | 18 <sup>1</sup> / <sub>2</sub> |
| 180, 183, 200, 203                               | 30 | 35 <sup>1</sup> / <sub>2</sub> | 28                             | 18                | 30        | 20 <sup>1</sup> / <sub>2</sub> |
| 220, 240   | 34 | 42 <sup>3</sup> / <sub>4</sub> | 31 <sup>1</sup> / <sub>2</sub> | 24                | 34        | 26 <sup>1</sup> / <sub>2</sub> |
| 260, 300   | 40 | 50                             | 36                             | 30                | 40        | 32 <sup>1</sup> / <sub>2</sub> |
| 330, 360   | 46 | 58 <sup>3</sup> / <sub>4</sub> | 38 <sup>1</sup> / <sub>2</sub> | 36                | 46        | 38 <sup>1</sup> / <sub>2</sub> |
| 420  | 52 | 65 <sup>1</sup> / <sub>4</sub> | 44                             | 42                | 52        | 44 <sup>1</sup> / <sub>2</sub> |
| 480  | 58 | 73 <sup>3</sup> / <sub>4</sub> | 47 <sup>1</sup> / <sub>4</sub> | 48                | 58        | 50 <sup>1</sup> / <sub>2</sub> |
| 500, 540   | 64 | 83                             | 50 <sup>3</sup> / <sub>4</sub> | 54                | 64        | 56 <sup>1</sup> / <sub>2</sub> |



All dimensions are in inches. Dimension A given is the inside dimension of the curb cap.  
\*May be greater depending on motor.



# efficient air

Save energy with Vari-Green® motors.



| Energy Saved Using a Vari-Green® Motor Versus a PSC |                             |                             |
|---|-----------------------------|-----------------------------|
| Motor Size  | Operating at 50% Full Speed | Operating at 75% Full Speed |
|   | 3,600 revs/y                | 3,900 revs/y                |
| 1/4   | \$ 130                      | \$ 99                       |
| 1/2   | \$ 202                      | \$ 148                      |
| 3/4   | \$ 273                      | \$ 188                      |

Assumes average cost of \$1.00/kWh

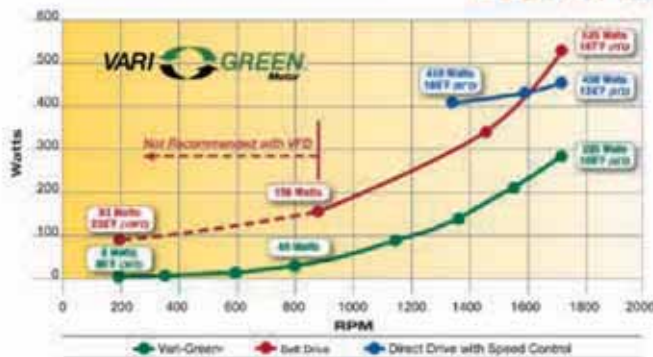
The world's best-performing fans just got even more efficient — and cost-effective — thanks to Greenheck's high-efficiency Vari-Green® EC motor that can be specified on Greenheck centrifugal rooftop fans, sidewall fans, utility, and inline exhaust and supply fans.

The low maintenance, direct-drive Vari-Green motor can operate at 80% turndown of full speed as compared to 30% turndown for standard industry PSC motors. By achieving a wider range of variable speeds, the Vari-Green motor can perform at lower RPMs — saving 20%-70% of the energy costs required by PSC motors and extending bearing life.

Greenheck's new Vari-Green motor also can help earn LEED building credits under Prerequisite Two: Minimum Energy Performance and Credit One: Optimize Energy Performance.

For better air, specify Greenheck fans. To find out more about our Vari-Green motor, watch a video at [greenheck.com/library](http://greenheck.com/library).

Learn more at [greenheck.com](http://greenheck.com)



715.359.6171  
[greenheck.com](http://greenheck.com)



Fans & Ventilators | Centrifugal & Vane Axial Fans  
Energy Recovery Ventilators | Packaged Ventilation Systems  
Make-up Air Units | Kitchen Ventilation Systems  
Dampers | Louvers | Lab Exhaust Systems | Coils



CUE, CUBE

CW, CWB

UL/cUL 705 Power Ventilators  
E40001 - CUE, CW, CUBE, CWB  
UL/cUL 762 Power Ventilators for  
Restaurant Exhaust Appliances - size 099  
and up - MH11745 - CUE, CW, CUBE, CWB



UL/cUL Listed 705 is standard on In Stock CW models.  
UL/cUL Listed 762 is standard on In Stock CUE, CW,  
CUBE models.

Model CUE, CW, CUBE and CWB are AMCA Licensed  
for Sound and Air Performance

## Model CUE, CW Direct Drive and CUBE, CWB Belt Drive

Centrifugal upblast or sidewall fans are designed for clean or contaminated air exhaust applications requiring roof or wall mounting.

### Quick Delivery / Quick Build Performance

CUE, CW capacities range from 65 to 6,400 cfm and 1.5 in. wg of static pressure. CUBE, CWB capacities range from 375 to 30,000 cfm and 2.75 in. wg of static pressure.

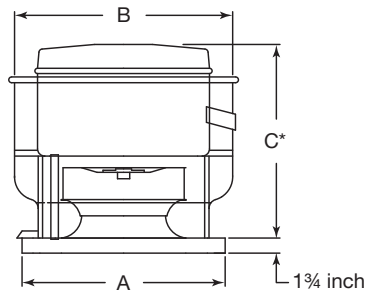
| Standard Construction   |       | CUE | CW | CUBE | CWB |
|---|-------|-----|----|------|-----|
| Housing fully-welded to curb cap with drain trough  |       | ■   |    | ■    |     |
| Wheel - backward-inclined, aluminum   |       | ■   | ■  | ■    | ■   |
| One piece windband - aluminum   |       | ■   | ■  | ■    | ■   |
| Birdscreen - galvanized   |       |     | ■  |      | ■   |
| Corrosion-resistant fasteners   |       | ■   | ■  | ■    | ■   |
| NEMA-1 disconnect switch  |       | ■   | ■  | ■    | ■   |
| Ball bearing motor - 1/4 hp and larger  |       | ■   | ■  | ■    | ■   |
| Double-studded vibration isolators  |       | ■   | ■  | ■    | ■   |
| Mounting plate  |       |     | ■  |      | ■   |
| Three speed motor - sizes 060 through 095   |       | ■   | ■  |      |     |
| Lifting lugs  |       |     |    | ■    | ■   |
| Adjustable motor pulley   |       |     |    | ■    | ■   |
| Options and Accessories   | Stock | CUE | CW | CUBE | CWB |
| Vari-Green® motor - 80% turndown, 85% efficient<br><i>Available as standard on select sizes</i> | ✓     | ■   | ■  |      |     |
| Damper - <i>not for use in grease applications</i>  | ✓     | ■   | ■  | ■    | ■   |
| Hinged kit - <i>NFPA required</i>   | ✓     | ■   |    | ■    |     |
| Roof curb - <i>NFPA requires vented roof curb</i>   | ✓     | ■   |    | ■    |     |
| Roof curb accessories - seals, adaptors, extensions   |       | ■   |    | ■    |     |
| Grease trap - <i>NFPA required</i>  | ✓     | ■   |    | ■    |     |
| Speed control   | ✓     | ■   | ■  |      |     |
| Wall grille   | ✓     |     | ■  |      | ■   |
| Birdscreen - aluminum   |       | ■   | ■  | ■    | ■   |
| Clean-out port - <i>NFPA required</i>   |       | ■   |    | ■    |     |
| Windband extension  |       | ■   |    | ■    |     |
| Tie-down points   |       | ■   |    | ■    |     |
| NEMA rated disconnect switch  |       | ■   | ■  | ■    | ■   |
| Non-stick coating on wheel  |       | ■   | ■  | ■    | ■   |
| Heat baffle   |       |     |    | ■    | ■   |
| Dual drives   |       |     |    | ■    | ■   |
| Relubricatable bearings   |       |     |    | ■    | ■   |
| Decorative or protective powder coating   |       | ■   | ■  | ■    | ■   |
| Certified for high wind applications  |       | ■   | ■  | ■    |     |
| Certified for seismic applications  |       | ■   | ■  | ■    | ■   |
| UL/cUL Listed Power Ventilators   |       | ■   | ■  | ■    | ■   |
| UL/cUL Listed Power Ventilators for Restaurant Exhaust Appliances                               |       | ■   | ■  | ■    | ■   |

| Model  | Best Available Program |
|--|------------------------|
| CUE-099 through 121, 141 through 180                           | In Stock               |
| CW-065 through 095, 101, 121 and 141                           |                        |
| CUBE-101 through 121, 141 through 200, 240 & 300               |                        |
| High Pressure CUBE 141HP, 180HP and 240 HP                     |                        |
| All CUE, CW 060 through 200                                    | 1 Day                  |
| CUBE-099, 131, 220, 360 through 480                            |                        |
| All CWB 099 through 300  |                        |
| High Pressure CUE, CW 141HP through 180HP                      |                        |
| High Pressure CUBE 101HP, 161HP, 200HP, 220HP, 300HP and 360HP |                        |
| High Pressure CWB 101HP through 300HP                          |                        |
| Extended Pressure CUBE 161XP through 360XP                     |                        |



Select sizes and models with the Vari-Green® motor are available in stock.

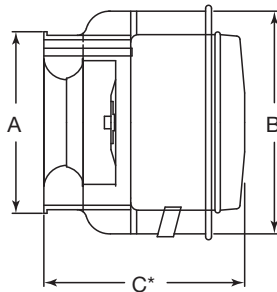
CUE, CUBE



Dimensions for CUE, CUBE

| Model Size         | A  | B                               | C*                             | Nominal Sq. Sizes   |           |                                |
|--------------------|----|---------------------------------|--------------------------------|---------------------|-----------|--------------------------------|
|                    |    |                                 |                                | Damper <sup>^</sup> | Roof Curb | Roof Opening                   |
| 060, 065, 070, 075 | 17 | 18 <sup>3</sup> / <sub>8</sub>  | 13 <sup>1</sup> / <sub>2</sub> | 8                   | 17        | 10 <sup>1</sup> / <sub>2</sub> |
| 080, 085, 090      | 19 | 21                              | 13 <sup>3</sup> / <sub>8</sub> | 10                  | 19        | 12 <sup>1</sup> / <sub>2</sub> |
| 095                | 19 | 21                              | 15 <sup>1</sup> / <sub>4</sub> | 10                  | 19        | 12 <sup>1</sup> / <sub>2</sub> |
| 099, 101, 121, 131 | 19 | 24 <sup>7</sup> / <sub>8</sub>  | 28 <sup>1</sup> / <sub>4</sub> | 12                  | 19        | 14 <sup>1</sup> / <sub>2</sub> |
| 141, 161           | 22 | 28 <sup>3</sup> / <sub>8</sub>  | 29 <sup>3</sup> / <sub>4</sub> | 16                  | 22        | 18 <sup>1</sup> / <sub>2</sub> |
| 180, 200           | 30 | 35 <sup>3</sup> / <sub>8</sub>  | 28 <sup>5</sup> / <sub>8</sub> | 18                  | 30        | 20 <sup>1</sup> / <sub>2</sub> |
| 220, 240           | 34 | 42 <sup>3</sup> / <sub>4</sub>  | 33 <sup>7</sup> / <sub>8</sub> | 24                  | 34        | 26 <sup>1</sup> / <sub>2</sub> |
| 300                | 40 | 50                              | 36                             | 30                  | 40        | 32 <sup>1</sup> / <sub>2</sub> |
| 360                | 46 | 56 <sup>1</sup> / <sub>16</sub> | 39 <sup>1</sup> / <sub>8</sub> | 36                  | 46        | 38 <sup>1</sup> / <sub>2</sub> |
| 420                | 52 | 65 <sup>3</sup> / <sub>8</sub>  | 44 <sup>1</sup> / <sub>4</sub> | 42                  | 52        | 44 <sup>1</sup> / <sub>2</sub> |
| 480                | 58 | 74 <sup>3</sup> / <sub>16</sub> | 48 <sup>1</sup> / <sub>8</sub> | 48                  | 58        | 50 <sup>1</sup> / <sub>2</sub> |

CW, CWB



Dimensions for CW, CWB

| Model Size         | A                              | B                                | C*                             | Nominal Sq. Sizes   |                                |
|--------------------|--------------------------------|----------------------------------|--------------------------------|---------------------|--------------------------------|
|                    |                                |                                  |                                | Damper <sup>^</sup> | Wall Opening                   |
| 060, 065, 070, 075 | 14 <sup>3</sup> / <sub>4</sub> | 18 <sup>3</sup> / <sub>8</sub>   | 13 <sup>1</sup> / <sub>2</sub> | 8                   | 8 <sup>1</sup> / <sub>2</sub>  |
| 080, 085, 090      | 17 <sup>7</sup> / <sub>8</sub> | 21                               | 13 <sup>3</sup> / <sub>8</sub> | 10                  | 10 <sup>1</sup> / <sub>2</sub> |
| 095                | 17 <sup>7</sup> / <sub>8</sub> | 21                               | 15 <sup>1</sup> / <sub>4</sub> | 10                  | 10 <sup>1</sup> / <sub>2</sub> |
| 099, 101, 121, 131 | 19 <sup>3</sup> / <sub>4</sub> | 24 <sup>7</sup> / <sub>8</sub>   | 28 <sup>1</sup> / <sub>4</sub> | 12                  | 12 <sup>1</sup> / <sub>2</sub> |
| 141, 161           | 22 <sup>1</sup> / <sub>8</sub> | 28 <sup>3</sup> / <sub>8</sub>   | 29 <sup>3</sup> / <sub>4</sub> | 15                  | 15 <sup>1</sup> / <sub>2</sub> |
| 180, 200           | 27 <sup>3</sup> / <sub>4</sub> | 35 <sup>3</sup> / <sub>8</sub>   | 28 <sup>5</sup> / <sub>8</sub> | 17                  | 17 <sup>1</sup> / <sub>2</sub> |
| 220, 240           | 31 <sup>1</sup> / <sub>4</sub> | 42 <sup>25</sup> / <sub>32</sub> | 33 <sup>7</sup> / <sub>8</sub> | 20                  | 20 <sup>1</sup> / <sub>2</sub> |
| 300                | 38 <sup>3</sup> / <sub>8</sub> | 50                               | 36                             | 25                  | 25 <sup>1</sup> / <sub>2</sub> |

All dimensions are in inches. Dimension A given is the inside dimension of the curb cap.  
 \*May be greater depending on motor. ^Dampers should not be used in grease applications.



UL/cUL 762 Power Ventilators for Restaurant Exhaust Appliances - MH11745 - USGF, USGF-HP



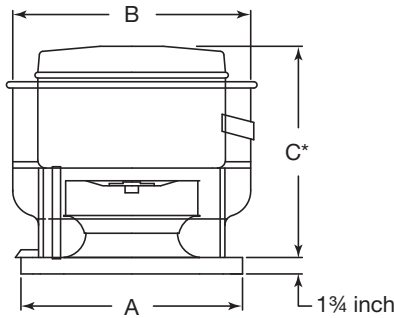
UL/cUL Listed 762 is standard on USGF, USGF-HP models.

Model USGF is AMCA Licensed for Sound and Air Performance

8

**Best Available Program**

10 Days



## Model USGF Belt Drive

Severe duty centrifugal upblast fans are designed for exhausting highly contaminated air in roof mounted applications.

### Quick Build Performance

USGF capacities range from 330 to 6,800 cfm and 2.75 in. wg of static pressure.

| Standard Construction                                   |       |
|---|-------|
| Housing - heavy-gauge steel                             |       |
| Housing fully welded to curb cap with drain trough      |       |
| Wheel - backward-inclined, heavy-gauge steel            |       |
| Non-stick coating on wheel                              |       |
| One piece windband - steel                              |       |
| Corrosion-resistant fasteners                           |       |
| NEMA-3R disconnect switch                               |       |
| Assembled hinged base - <i>NFPA required</i>            |       |
| Clean-out port - <i>NFPA required</i>                   |       |
| Ball bearing motor - 1/4 hp and larger                  |       |
| Dual drives   |       |
| Relubricatable bearings                                 |       |
| Heat baffle   |       |
| Double-studded vibration isolators                      |       |
| Lifting lugs  |       |
| Adjustable motor pulley                                 |       |
| Permatector™ protective powder coating                  |       |
| Options and Accessories                                 | Stock |
| Damper - <i>not for use in kitchen applications</i>     |       |
| Roof curb - <i>NFPA requires vented roof curb</i>       | ✓     |
| Roof curb accessories - seals, adaptors, extensions     |       |
| Grease trap and drain connection - <i>NFPA required</i> |       |
| Windband extension                                      |       |
| Tie-down points   |       |
| NEMA rated disconnect switch                            |       |
| Decorative or protective powder coating                 |       |
| Certified for high wind and seismic applications        |       |

### Dimensions for USGF

| Model Size | A  | B                              | C*                             | Nominal Sq. Sizes |                                |
|------------|----|--------------------------------|--------------------------------|-------------------|--------------------------------|
|            |    |                                |                                | Roof Curb         | Roof Opening                   |
| 140, 160   | 26 | 28 <sup>7</sup> / <sub>8</sub> | 29 <sup>3</sup> / <sub>4</sub> | 26                | 18 <sup>1</sup> / <sub>2</sub> |
| 180, 200   | 30 | 35 <sup>3</sup> / <sub>8</sub> | 28 <sup>3</sup> / <sub>8</sub> | 30                | 20 <sup>1</sup> / <sub>2</sub> |

All dimensions are in inches. Dimension A given is the inside dimension of the curb cap.  
\*May be greater depending on motor.

LDP, LBP



LD, LB



UL/cUL 705 Power Ventilators  
E40001 - LD, LDP, LB and LBP

Model LD, LDP, LB and LBP are AMCA Licensed for Sound and Air Performance

**Best Available Program**  
10 Days



VARI-GREEN Motor

Select sizes and models with the Vari-Green® motor are available.

## Model LD, LDP Direct Drive and LB, LBP Belt Drive

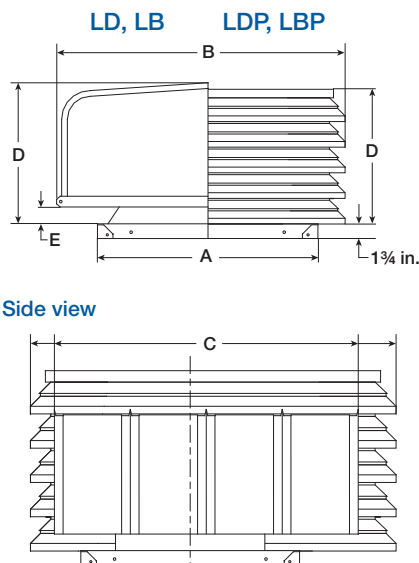
Centrifugal downblast fans are designed for clean air exhaust applications requiring roof mounting.

### Quick Build Performance

LD, LDP capacities range from 100 to 1,845 cfm and 0.9 in. wg of static pressure. LB, LBP capacities range from 350 to 37,500 cfm and 2 in. wg of static pressure.

| Standard Construction   | LD    | LDP | LB  | LBP |     |
|---|-------|-----|-----|-----|-----|
| Housings with hinged hoods<br>- Fabra hood style, galvanized                                    | ■     |     | ■   |     |     |
| Housings with hinged cover<br>- Louvered penthouse, extruded aluminum                           |       | ■   |     | ■   |     |
| Wheel - backward-inclined, aluminum   | ■     | ■   | ■   | ■   |     |
| Birdscreen - galvanized   | ■     | ■   | ■   | ■   |     |
| Corrosion-resistant fasteners   | ■     | ■   | ■   | ■   |     |
| NEMA-1 disconnect switch  | ■     | ■   | ■   | ■   |     |
| Ball bearing motor - 1/4 hp and larger  | ■     | ■   | ■   | ■   |     |
| Double-studded vibration isolators  | ■     | ■   | ■   | ■   |     |
| Three speed motor - sizes 60 through 95   | ■     | ■   |     |     |     |
| Adjustable motor pulley   |       |     | ■   | ■   |     |
| Options and Accessories   | Stock | LD  | LDP | LB  | LBP |
| Vari-Green® motor - 80% turndown, 85% efficient<br><i>Available on select sizes and models.</i> | ✓     | ■   | ■   |     |     |
| Damper  |       | ■   | ■   | ■   | ■   |
| Roof curb   | ✓     | ■   | ■   | ■   | ■   |
| Roof curb accessories - seals, adaptors, extensions   |       | ■   |     | ■   | ■   |
| Birdscreen - aluminum   |       | ■   | ■   | ■   | ■   |
| Fabra hood - aluminum   |       | ■   |     | ■   |     |
| Stainless steel fasteners   |       | ■   | ■   | ■   | ■   |
| Tie-down points   |       | ■   | ■   | ■   | ■   |
| NEMA rated disconnect switch  |       | ■   | ■   | ■   | ■   |
| Dual drives   |       |     |     | ■   | ■   |
| Hood insulation - 1 inch  |       | ■   | ■   | ■   | ■   |
| Relubricatable bearings   |       |     |     | ■   | ■   |
| Decorative or protective powder coating   |       | ■   | ■   | ■   | ■   |
| Certified for high wind   |       |     | ■   |     | ■   |
| UL/cUL Listed Power Ventilators   |       | ■   | ■   |     | ■   |

### Dimensions for LD, LDP, LB, LBP



| Model Size     | A Sq. | Fabra Hood Style LD, LB        |                                |                                |                                | Louver Style LDP, LBP          |                                |                                | Nominal Sq. Sizes |                                |
|----------------|-------|--------------------------------|--------------------------------|--------------------------------|--------------------------------|--------------------------------|--------------------------------|--------------------------------|-------------------|--------------------------------|
|                |       | B                              | C                              | D                              | E                              | B                              | C                              | D                              | Damper            | Roof Opening                   |
| 60, 65, 70, 75 | 17    | 23                             | 27                             | 13 <sup>3</sup> / <sub>8</sub> | 2                              | 23                             | 23                             | 14                             | 8                 | 10 <sup>1</sup> / <sub>2</sub> |
| 80, 85, 90, 95 | 19    | 28                             | 27                             | 16                             | 4                              | 25                             | 25                             | 17                             | 10                | 12 <sup>1</sup> / <sub>2</sub> |
| 100, 120       | 22    | 30                             | 27                             | 23 <sup>1</sup> / <sub>4</sub> | 4                              | 28                             | 28                             | 19 <sup>1</sup> / <sub>4</sub> | 12                | 14 <sup>1</sup> / <sub>2</sub> |
| 10             | 22    | 28                             | 39                             | 17                             | 3 <sup>1</sup> / <sub>4</sub>  | 28                             | 38 <sup>1</sup> / <sub>2</sub> | 17                             | 12                | 14 <sup>1</sup> / <sub>2</sub> |
| 14             | 26    | 35                             | 39                             | 18                             | 4                              | 32                             | 40                             | 17                             | 16                | 18 <sup>1</sup> / <sub>2</sub> |
| 18             | 30    | 40                             | 39                             | 21                             | 4 <sup>1</sup> / <sub>2</sub>  | 36                             | 46                             | 24 <sup>1</sup> / <sub>2</sub> | 18                | 20 <sup>1</sup> / <sub>2</sub> |
| 21             | 30    | 43                             | 51 <sup>1</sup> / <sub>2</sub> | 23                             | 6                              | 36                             | 46                             | 24 <sup>1</sup> / <sub>2</sub> | 18                | 20 <sup>1</sup> / <sub>2</sub> |
| 24             | 34    | 45 <sup>1</sup> / <sub>2</sub> | 51 <sup>1</sup> / <sub>2</sub> | 23 <sup>3</sup> / <sub>4</sub> | 6 <sup>3</sup> / <sub>4</sub>  | 40                             | 49 <sup>1</sup> / <sub>2</sub> | 23 <sup>1</sup> / <sub>2</sub> | 24                | 26 <sup>1</sup> / <sub>2</sub> |
| 30             | 40    | 50                             | 63                             | 26 <sup>5</sup> / <sub>8</sub> | 8 <sup>1</sup> / <sub>2</sub>  | 46                             | 58                             | 26 <sup>1</sup> / <sub>2</sub> | 30                | 32 <sup>1</sup> / <sub>2</sub> |
| 36             | 46    | 60                             | 63                             | 32 <sup>5</sup> / <sub>8</sub> | 9 <sup>3</sup> / <sub>4</sub>  | 51 <sup>3</sup> / <sub>4</sub> | 63                             | 34 <sup>5</sup> / <sub>8</sub> | 36                | 38 <sup>1</sup> / <sub>2</sub> |
| 42             | 52    | 70 <sup>5</sup> / <sub>8</sub> | 75                             | 37 <sup>3</sup> / <sub>8</sub> | 11 <sup>1</sup> / <sub>2</sub> | 58                             | 70 <sup>1</sup> / <sub>2</sub> | 38 <sup>1</sup> / <sub>4</sub> | 42                | 44 <sup>1</sup> / <sub>2</sub> |
| 48             | 58    | 70 <sup>5</sup> / <sub>8</sub> | 87                             | 41 <sup>1</sup> / <sub>2</sub> | 11 <sup>5</sup> / <sub>8</sub> | 64                             | 76 <sup>1</sup> / <sub>2</sub> | 40 <sup>5</sup> / <sub>8</sub> | 48                | 50 <sup>1</sup> / <sub>2</sub> |
| 54             | 64    | 79 <sup>5</sup> / <sub>8</sub> | 87                             | 45 <sup>5</sup> / <sub>8</sub> | 12 <sup>1</sup> / <sub>2</sub> | 70                             | 83 <sup>1</sup> / <sub>2</sub> | 43 <sup>5</sup> / <sub>8</sub> | 54                | 56 <sup>1</sup> / <sub>2</sub> |

All dimensions are in inches. Dimension A given is the inside dimension of the curb cap.



UL/cUL 705 Power Ventilators  
E40001 - AE, AS  
UL/cUL Listed 705 is standard on AE, AS models.

Model AE and AS are AMCA Licensed for Sound and Air Performance

**Best Available Program**  
1 Day

10

## Model AE and AS Direct Drive

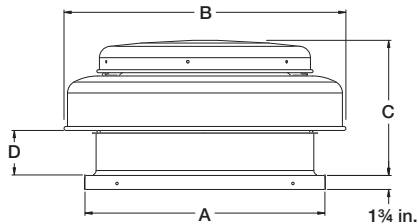
Axial downblast fans are designed for clean air exhaust or supply applications requiring roof mounting. The propeller provides efficient airflow at low static pressures.

### Quick Build Performance

AE capacities range from 250 to 6,000 cfm and 1 in. wg of static pressure.  
AS capacities range from 180 to 5,700 cfm and 1 in. wg of static pressure.

| Standard Construction                        |       |
|--|-------|
| Housing - aluminum                           |       |
| Propeller - aluminum                         |       |
| Birdscreen - galvanized                      |       |
| Corrosion-resistant fasteners                |       |
| NEMA-1 disconnect switch                     |       |
| Ball bearing motor - 1/4 hp and larger       |       |
| Options and Accessories                      | Stock |
| Damper                                       |       |
| Roof curb                                    | ✓     |
| Roof curb accessories - adaptors, extensions |       |
| Birdscreen - aluminum                        |       |
| NEMA rated disconnect switch                 |       |
| Decorative or protective powder coating      |       |

### Dimensions for AE, AS



| Model Size | A  | B                              | C                              | D                             | Nominal Sq. Sizes              |
|------------|----|--------------------------------|--------------------------------|-------------------------------|--------------------------------|
|            |    |                                |                                |                               | Recommended Roof Opening       |
| 10         | 19 | 24 <sup>5</sup> / <sub>8</sub> | 15 <sup>1</sup> / <sub>2</sub> | 5 <sup>1</sup> / <sub>2</sub> | 14 <sup>1</sup> / <sub>2</sub> |
| 12         | 22 | 28 <sup>5</sup> / <sub>8</sub> | 16 <sup>1</sup> / <sub>2</sub> | 6 <sup>1</sup> / <sub>4</sub> | 14 <sup>1</sup> / <sub>2</sub> |
| 14         | 22 | 28 <sup>5</sup> / <sub>8</sub> | 16 <sup>1</sup> / <sub>2</sub> | 6 <sup>1</sup> / <sub>4</sub> | 16 <sup>1</sup> / <sub>2</sub> |
| 16         | 26 | 35 <sup>1</sup> / <sub>4</sub> | 17 <sup>1</sup> / <sub>4</sub> | 6 <sup>1</sup> / <sub>4</sub> | 18 <sup>1</sup> / <sub>2</sub> |
| 18         | 30 | 35 <sup>1</sup> / <sub>4</sub> | 17 <sup>1</sup> / <sub>4</sub> | 6 <sup>1</sup> / <sub>4</sub> | 20 <sup>1</sup> / <sub>2</sub> |
| 20         | 34 | 42                             | 17 <sup>1</sup> / <sub>2</sub> | 6 <sup>1</sup> / <sub>4</sub> | 26 <sup>1</sup> / <sub>2</sub> |
| 24         |    |                                |                                |                               |                                |

All dimensions are in inches.



UL/cUL 705 Power Ventilators  
E40001 - RBU, RBUMO and RDU  
UL/cUL Power Ventilators for Smoke  
Control Systems - MH17511 - RBUMO



Model RDU, RBU and RBUMO are AMCA Licensed for  
Sound and Air Performance

**Best  
Available  
Program**  
**5 Days**

## Model RDU Direct Drive and RBU, RBUMO Belt Drive

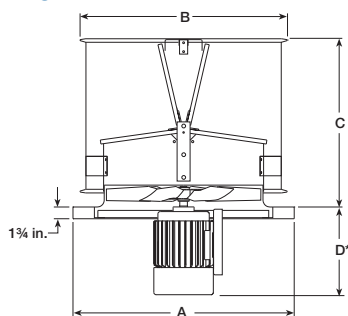
Axial upblast fans are designed to discharge high volumes of clean or contaminated air up and away from the building.

### Quick Build Performance

RDU capacities range from 3,175 to 37,850 cfm and 0.75 in. wg of static pressure. RBU capacities range from 3,500 to 58,475 cfm and 1 in. wg of static pressure. RBUMO capacities range from 3,300 to 55,175 cfm and 1 in. wg of static pressure.

| Standard Construction   | RDU   | RBU | RBUMO |       |
|---|-------|-----|-------|-------|
| Housing - galvanized steel with fully-assembled butterfly dampers and damper stops  | ■     | ■   | ■     |       |
| Curb cap and drive assembly <ul style="list-style-type: none"> <li>• sizes 18 through 48 - galvanized steel</li> <li>• sizes 54 and 60 - painted steel</li> </ul> | ■     | ■   | ■     |       |
| Propeller - aluminum  | ■     |     |       |       |
| Propeller - fabricated steel  |       | ■   | ■     |       |
| Corrosion-resistant fasteners   | ■     | ■   | ■     |       |
| Ball bearing motor - 1/4 hp and larger  | ■     | ■   | ■     |       |
| Relubricatable bearings   |       | ■   | ■     |       |
| Variable pitched motor pulley   |       | ■   | ■     |       |
| Options and Accessories   | Stock | RDU | RBU   | RBUMO |
| Roof curb   | ✓     | ■   | ■     | ■     |
| Roof curb accessories - seals, adaptors, extensions   |       | ■   | ■     | ■     |
| Guards - inlet, outlet  |       | ■   | ■     | ■     |
| Propeller - aluminum  |       |     | ■     | ■     |
| Butterfly dampers - aluminum  |       | ■   | ■     | ■     |
| Magnetic damper latches   |       | ■   | ■     | ■     |
| Motorized damper lifters  |       | ■   | ■     | ■     |
| Fusible link damper lifters   |       | ■   | ■     | ■     |
| Tie-down points   |       | ■   | ■     | ■     |
| NEMA rated disconnect switch  |       | ■   | ■     | ■     |
| Lube lines  |       |     | ■     | ■     |
| Dual drives   |       |     | ■     | ■     |
| Belt tube   |       |     |       | ■     |
| Decorative or protective powder coating   |       | ■   | ■     | ■     |
| Certified for seismic applications  |       |     |       | ■     |
| High temperature option   |       |     |       | ■     |
| UL/cUL Listed Power Ventilators   |       | ■   | ■     | ■     |
| UL/cUL Listed Power Ventilators for Smoke Control Systems   |       |     |       | ■     |

### RDU



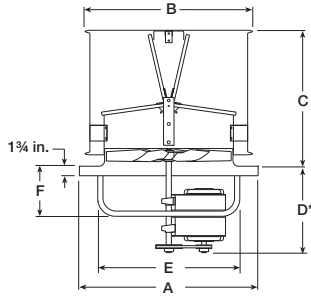
### Dimensions for RDU

| Model Size | A<br>Curb Cap ID | B                              | C  | D*                               | Recommended Roof Opening       |
|------------|------------------|--------------------------------|----|----------------------------------|--------------------------------|
| 18         | 28               | 25                             | 22 | 8 <sup>3</sup> / <sub>8</sub>    | 24 <sup>1</sup> / <sub>2</sub> |
| 20         | 30               | 27 <sup>1</sup> / <sub>4</sub> | 24 | 9 <sup>1</sup> / <sub>4</sub>    | 26 <sup>1</sup> / <sub>2</sub> |
| 24         | 34               | 31 <sup>1</sup> / <sub>8</sub> | 26 | 13 <sup>1</sup> / <sub>2</sub>   | 30 <sup>1</sup> / <sub>2</sub> |
| 30         | 40               | 37 <sup>3</sup> / <sub>8</sub> | 30 | 13 <sup>3</sup> / <sub>8</sub>   | 36 <sup>1</sup> / <sub>2</sub> |
| 36         | 46               | 43 <sup>1</sup> / <sub>2</sub> | 33 | 12 <sup>15</sup> / <sub>16</sub> | 42 <sup>1</sup> / <sub>2</sub> |
| 42         | 52               | 49 <sup>5</sup> / <sub>8</sub> | 38 | 18 <sup>1</sup> / <sub>2</sub>   | 48 <sup>1</sup> / <sub>2</sub> |
| 48         | 58               | 56                             | 40 | 18                               | 54 <sup>1</sup> / <sub>2</sub> |

\*Dimension may vary depending on motor.



RBU

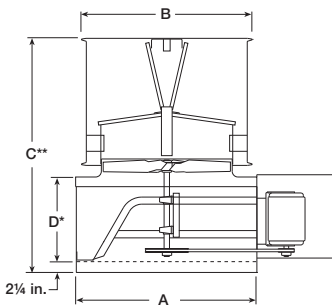


Dimensions for RBU

| Model Size | A<br>Curb Cap ID               | B                              | C  | D*                             |                                | E                              | F                              | Nominal Sq. Sizes              |
|------------|--------------------------------|--------------------------------|----|--------------------------------|--------------------------------|--------------------------------|--------------------------------|--------------------------------|
|            |                                |                                |    | 1, 2                           | 3                              |                                |                                | Recommended Roof Opening       |
| 20         | 30                             | 27 <sup>1</sup> / <sub>4</sub> | 24 | 15                             | —                              | 23 <sup>1</sup> / <sub>4</sub> | 9 <sup>1</sup> / <sub>32</sub> | 26 <sup>1</sup> / <sub>2</sub> |
| 24         | 34                             | 31 <sup>1</sup> / <sub>8</sub> | 26 | 15 <sup>1</sup> / <sub>2</sub> | 16 <sup>3</sup> / <sub>4</sub> | 27 <sup>3</sup> / <sub>8</sub> | 9 <sup>7</sup> / <sub>16</sub> | 30 <sup>1</sup> / <sub>2</sub> |
| 30         | 40                             | 37 <sup>3</sup> / <sub>8</sub> | 30 | 15 <sup>1</sup> / <sub>2</sub> | 16 <sup>3</sup> / <sub>4</sub> | 34 <sup>3</sup> / <sub>4</sub> | 9 <sup>7</sup> / <sub>8</sub>  | 36 <sup>1</sup> / <sub>2</sub> |
| 36         | 46                             | 43 <sup>1</sup> / <sub>2</sub> | 33 | 16 <sup>3</sup> / <sub>4</sub> | 16 <sup>3</sup> / <sub>4</sub> | 40 <sup>7</sup> / <sub>8</sub> | 9 <sup>7</sup> / <sub>8</sub>  | 42 <sup>1</sup> / <sub>2</sub> |
| 42         | 52                             | 49 <sup>5</sup> / <sub>8</sub> | 38 | 19 <sup>3</sup> / <sub>8</sub> | 23 <sup>7</sup> / <sub>8</sub> | 46 <sup>3</sup> / <sub>4</sub> | 11 <sup>3</sup> / <sub>4</sub> | 48 <sup>1</sup> / <sub>2</sub> |
| 48         | 58                             | 56                             | 40 | 19 <sup>3</sup> / <sub>8</sub> | 23 <sup>7</sup> / <sub>8</sub> | 52 <sup>3</sup> / <sub>4</sub> | 11 <sup>3</sup> / <sub>4</sub> | 54 <sup>1</sup> / <sub>2</sub> |
| 54         | 66 <sup>1</sup> / <sub>2</sub> | 62 <sup>5</sup> / <sub>8</sub> | 45 | 19 <sup>1</sup> / <sub>4</sub> | 26 <sup>7</sup> / <sub>8</sub> | 61 <sup>1</sup> / <sub>4</sub> | 11 <sup>1</sup> / <sub>2</sub> | 63                             |
| 60         | 72 <sup>1</sup> / <sub>2</sub> | 68 <sup>3</sup> / <sub>4</sub> | 48 | 21 <sup>1</sup> / <sub>4</sub> | 27                             | 66 <sup>1</sup> / <sub>4</sub> | 15                             | 69                             |

\*Dimension may vary depending on motor.

RBUMO



Dimensions for RBUMO

| Model Size | A                              | B                              | C**                            | D*                             | Nominal Sq. Sizes              |
|------------|--------------------------------|--------------------------------|--------------------------------|--------------------------------|--------------------------------|
|            |                                |                                |                                |                                | Recommended Roof Opening       |
| 20         | 29 <sup>1</sup> / <sub>2</sub> | 27 <sup>1</sup> / <sub>4</sub> | 43 <sup>1</sup> / <sub>2</sub> | 19 <sup>3</sup> / <sub>4</sub> | 26                             |
| 24         | 33 <sup>1</sup> / <sub>2</sub> | 31 <sup>1</sup> / <sub>8</sub> | 45 <sup>5</sup> / <sub>8</sub> | 17 <sup>1</sup> / <sub>2</sub> | 30                             |
| 30         | 39 <sup>1</sup> / <sub>2</sub> | 37 <sup>3</sup> / <sub>8</sub> | 51 <sup>3</sup> / <sub>4</sub> | 19 <sup>1</sup> / <sub>2</sub> | 36                             |
| 36         | 45 <sup>1</sup> / <sub>2</sub> | 43 <sup>1</sup> / <sub>2</sub> | 55                             | 19 <sup>1</sup> / <sub>2</sub> | 42                             |
| 42         | 51 <sup>1</sup> / <sub>2</sub> | 49 <sup>5</sup> / <sub>8</sub> | 59 <sup>5</sup> / <sub>8</sub> | 19 <sup>5</sup> / <sub>8</sub> | 48                             |
| 48         | 57 <sup>1</sup> / <sub>2</sub> | 56                             | 63 <sup>5</sup> / <sub>8</sub> | 21 <sup>3</sup> / <sub>4</sub> | 54                             |
| 54         | 66                             | 62 <sup>5</sup> / <sub>8</sub> | 70 <sup>5</sup> / <sub>8</sub> | 22 <sup>3</sup> / <sub>4</sub> | 62 <sup>1</sup> / <sub>2</sub> |
| 60         | 72                             | 68 <sup>3</sup> / <sub>4</sub> | 75                             | 23                             | 68 <sup>1</sup> / <sub>2</sub> |

\*Dimension may vary depending on motor.

\*\*Sizes 42 through 60 with High Temperature Option will be 5 inches larger.

## Model TAUD Direct Drive and TAUB-L/H, TAUB-CA Belt Drive



Tube axial upblast roof exhaust fans are designed to efficiently remove and disperse contaminated air. They are best suited for exhausting relatively clean, dry and cool air.

The TAUB-L/H is available with high temperature options that meet IRI, SBCCI, or can be UL/cUL Listed as a Power Ventilator for Smoke Control Systems.

| TAUB-L/H High Temperature Options |   |
|-----------------------------------|---|
| <b>Option I</b>                   | 200°F (93°C) to 500°F (260°C) Continuous Operation        |
| <b>Option II</b>                  | 500°F (260°C) for minimum of 4 hours                      |
| <b>Option III</b>                 | 1000°F (538°C) for minimum of 15 minutes                  |
| <b>Option IV</b>                  | UL/cUL Listed Power Ventilators for Smoke Control Systems |



Model TAUD and TAUB-CA are AMCA Licensed for Air Performance

Model TAUB-L and TAUB-H are AMCA Licensed for Sound and Air Performance

**Best Available Program**  
10 Days

### Quick Build Performance

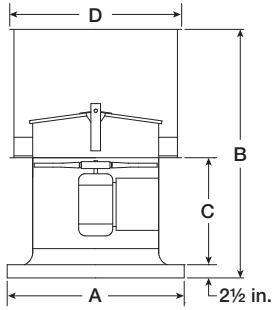
TAUD capacities range from 2,800 to 46,000 cfm and up to 1 in. wg of static pressure.

TAUB-L/H capacities range from 4,300 to 60,200 cfm and up to 1 in. wg of static pressure.

TAUB-CA capacities range from 2,800 to 74,000 cfm and up to 1.25 in. wg of static pressure.

| Standard Construction   | TAUD  | TAUB-L/H | TAUB-CA  |         |
|---|-------|----------|----------|---------|
| Heavy-gauge curb cap, tubular housing and windband                                      | ■     | ■        | ■        |         |
| Propeller - cast aluminum airfoil   | ■     |          | ■        |         |
| Propeller - fabricated steel  |       | ■        |          |         |
| Polished steel shaft  |       | ■        | ■        |         |
| Corrosion-resistant fasteners   | ■     | ■        | ■        |         |
| Cast iron pillow block bearings<br>Minimum bearing life of L <sub>10</sub> 40,000 hours |       | ■        | ■        |         |
| Adjustable motor plate  |       | ■        | ■        |         |
| Butterfly backdraft damper - steel, aluminum  | ■     | ■        | ■        |         |
| Extended lube lines   |       | ■        | ■        |         |
| Permatector™ protective powder coating  | ■     | ■        | ■        |         |
| Options and Accessories   | Stock | TAUD     | TAUB-L/H | TAUB-CA |
| Roof curb   | ✓     | ■        | ■        | ■       |
| Curb seal   |       | ■        | ■        | ■       |
| Guards - inlet, outlet  |       | ■        | ■        | ■       |
| Magnetic damper latches   |       | ■        | ■        | ■       |
| Fusible link damper lifter  |       | ■        | ■        | ■       |
| Access door - bolted, hinged  |       | ■        | ■        | ■       |
| Tie-down points   |       | ■        | ■        | ■       |
| NEMA-3R disconnect switch   |       | ■        | ■        | ■       |
| Shaft seal  |       |          | ■        | ■       |
| Bearings with high temperature grease and zerk fittings                                 |       |          | ■        |         |
| Decorative or protective powder coating   |       | ■        | ■        | ■       |
| UL/cUL Listed Power Ventilators   |       | ■        | ■        | ■       |

TAUD

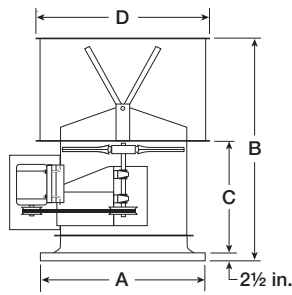


Dimensions for TAUD

| Model Size | A  | B                              | C                              | D                              | Nominal Sq. Sizes              |
|------------|----|--------------------------------|--------------------------------|--------------------------------|--------------------------------|
|            |    |                                |                                |                                | Recommended Roof Opening       |
| 18         | 26 | 44 <sup>3</sup> / <sub>4</sub> | 21 <sup>3</sup> / <sub>8</sub> | 25 <sup>1</sup> / <sub>4</sub> | 20 <sup>1</sup> / <sub>2</sub> |
| 20         | 30 | 45 <sup>3</sup> / <sub>4</sub> | 22 <sup>1</sup> / <sub>2</sub> | 27                             | 22 <sup>1</sup> / <sub>2</sub> |
| 24         | 34 | 48 <sup>1</sup> / <sub>4</sub> | 22 <sup>5</sup> / <sub>8</sub> | 31 <sup>1</sup> / <sub>8</sub> | 26 <sup>1</sup> / <sub>2</sub> |
| 30         | 40 | 53 <sup>1</sup> / <sub>4</sub> | 24 <sup>3</sup> / <sub>4</sub> | 37 <sup>3</sup> / <sub>8</sub> | 32 <sup>1</sup> / <sub>2</sub> |
| 36         | 46 | 55 <sup>3</sup> / <sub>4</sub> | 24 <sup>7</sup> / <sub>8</sub> | 43 <sup>1</sup> / <sub>2</sub> | 38 <sup>1</sup> / <sub>2</sub> |
| 42         | 52 | 66 <sup>3</sup> / <sub>4</sub> | 31                             | 49 <sup>3</sup> / <sub>8</sub> | 44 <sup>1</sup> / <sub>2</sub> |
| 48         | 58 | 67 <sup>3</sup> / <sub>4</sub> | 31 <sup>1</sup> / <sub>8</sub> | 56                             | 50 <sup>1</sup> / <sub>2</sub> |

All dimensions are in inches.

TAUB-L/H • TAUB-CA



Dimensions for TAUB-L/H, TAUB-CA

| Model Size | A  | B                              | C                              | D                               | Nominal Sq. Sizes              |
|------------|----|--------------------------------|--------------------------------|---------------------------------|--------------------------------|
|            |    |                                |                                |                                 | Recommended Roof Opening       |
| 18         | 26 | 48 <sup>1</sup> / <sub>8</sub> | 25 <sup>3</sup> / <sub>4</sub> | 25 <sup>1</sup> / <sub>4</sub>  | 20 <sup>1</sup> / <sub>2</sub> |
| 20         | 30 | 49 <sup>3</sup> / <sub>8</sub> | 26 <sup>1</sup> / <sub>8</sub> | 27                              | 22 <sup>1</sup> / <sub>2</sub> |
| 24         | 34 | 54 <sup>3</sup> / <sub>8</sub> | 28 <sup>5</sup> / <sub>8</sub> | 30 <sup>7</sup> / <sub>8</sub>  | 26 <sup>1</sup> / <sub>2</sub> |
| 30         | 40 | 57 <sup>7</sup> / <sub>8</sub> | 29 <sup>3</sup> / <sub>8</sub> | 37 <sup>1</sup> / <sub>8</sub>  | 32 <sup>1</sup> / <sub>2</sub> |
| 36         | 46 | 64 <sup>1</sup> / <sub>2</sub> | 33 <sup>1</sup> / <sub>4</sub> | 43 <sup>1</sup> / <sub>4</sub>  | 38 <sup>1</sup> / <sub>2</sub> |
| 42         | 52 | 72                             | 36 <sup>1</sup> / <sub>4</sub> | 49 <sup>5</sup> / <sub>8</sub>  | 44 <sup>1</sup> / <sub>2</sub> |
| 48         | 58 | 80                             | 44 <sup>1</sup> / <sub>2</sub> | 55 <sup>3</sup> / <sub>4</sub>  | 50 <sup>1</sup> / <sub>2</sub> |
| 54         | 64 | 90 <sup>1</sup> / <sub>2</sub> | 49 <sup>3</sup> / <sub>8</sub> | 62 <sup>5</sup> / <sub>8</sub>  | 56 <sup>1</sup> / <sub>2</sub> |
| 60         | 70 | 96 <sup>3</sup> / <sub>4</sub> | 52 <sup>1</sup> / <sub>2</sub> | 68 <sup>7</sup> / <sub>16</sub> | 62 <sup>1</sup> / <sub>2</sub> |

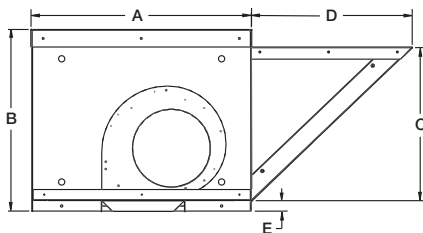
All dimensions are in inches.



UL/cUL Listed 705 is standard on In Stock models.

Model SAF is AMCA Licensed for Sound and Air Performance

| Model               | Best Available Program |
|---------------------|------------------------|
| SAF-110 through 118 | In Stock               |
| SAF-120             | 5 Days                 |



## Model SAF Belt Drive

Centrifugal supply fans are designed to draw filtered, untempered air from one side of the housing.

### Quick Delivery / Quick Build Performance

Capacities range from 820 to 14,000 cfm and 3.5 in. wg of static pressure.

#### Standard Construction

| Housing - galvanized steel                             |       |
|--|-------|
| Wheel - forward-curved, galvanized steel, double-width |       |
| Housing cover and side access panels - removable       |       |
| Corrosion-resistant fasteners                          |       |
| Filters - one-inch aluminum, washable                  |       |
| Ball bearing motor - 1/4 hp and larger                 |       |
| Double-studded vibration isolators                     |       |
| Lifting lugs   |       |
| Adjustable motor pulley                                |       |
| Options and Accessories                                | Stock |
| Damper   | ✓     |
| Roof curb  | ✓     |
| Roof curb accessories - adaptors, extensions           |       |
| Duct adaptor   |       |
| NEMA rated disconnect switch                           |       |
| Dual drives  |       |
| UL/cUL Listed Power Ventilators                        |       |

#### Dimensions for SAF

| Model Size | A                              | B                               | C                               | D                                | E                             | Nominal Sq. Sizes              |
|------------|--------------------------------|---------------------------------|---------------------------------|----------------------------------|-------------------------------|--------------------------------|
|            |                                |                                 |                                 |                                  |                               | Recommended Roof Opening       |
| 110        | 30                             | 25                              | 21 <sup>1</sup> / <sub>16</sub> | 22                               | 1 <sup>1</sup> / <sub>2</sub> | 16 <sup>1</sup> / <sub>2</sub> |
| 112        | 35                             | 32                              | 27 <sup>3</sup> / <sub>8</sub>  | 29 <sup>1</sup> / <sub>4</sub>   | 2                             | 20 <sup>1</sup> / <sub>2</sub> |
| 115        | 34                             | 32 <sup>1</sup> / <sub>16</sub> | 27 <sup>3</sup> / <sub>8</sub>  | 29 <sup>1</sup> / <sub>4</sub>   | 2                             | 26 <sup>1</sup> / <sub>2</sub> |
| 118        | 42                             | 36 <sup>1</sup> / <sub>16</sub> | 31 <sup>1</sup> / <sub>16</sub> | 32                               | 2                             | 32 <sup>1</sup> / <sub>2</sub> |
| 120        | 45 <sup>1</sup> / <sub>2</sub> | 48 <sup>1</sup> / <sub>16</sub> | 44 <sup>1</sup> / <sub>16</sub> | 35 <sup>13</sup> / <sub>16</sub> | 2 <sup>1</sup> / <sub>8</sub> | 38 <sup>1</sup> / <sub>2</sub> |

All dimensions are in inches.



RSF



Model RSF and RSFP are AMCA Licensed for Air Performance

**Best Available Program**  
5 Days

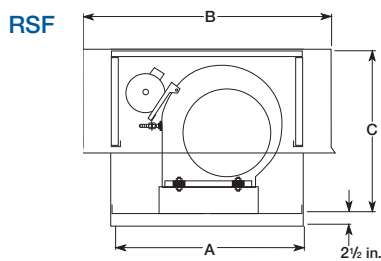
## Model RSF and RSFP Belt Drive

Centrifugal supply fans are designed to draw filtered, untempered air from all four sides of the housing.

### Quick Build Performance

RSF, RSFP capacities range from 700 to 14,300 cfm and 2 in. wg of static pressure.

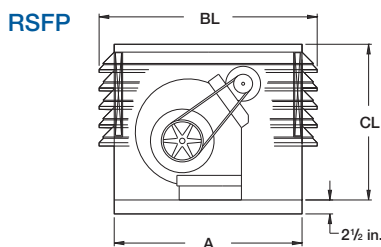
| Standard Construction                                | RSF   | RSFP |      |
|--|-------|------|------|
| Housing - galvanized steel                           | ■     |      |      |
| Housing - louvered penthouse, extruded aluminum      |       | ■    |      |
| Wheel - forward-curved, steel, double-width          | ■     | ■    |      |
| Insulated removable cover with quick release latches | ■     | ■    |      |
| Corrosion-resistant fasteners                        | ■     | ■    |      |
| Filters - one-inch aluminum, washable                | ■     | ■    |      |
| Ball bearing motor - 1/4 hp and larger               | ■     | ■    |      |
| Double-studded vibration isolators                   | ■     | ■    |      |
| Adjustable motor pulley                              | ■     | ■    |      |
| Options and Accessories                              | Stock | RSF  | RSFP |
| Damper   |       | ■    | ■    |
| Roof curb  | ✓     | ■    | ■    |
| Roof curb accessories - seals, adaptors, extensions  |       | ■    | ■    |
| Duct adaptor   |       | ■    | ■    |
| Tie-down points                                      |       | ■    | ■    |
| NEMA rated disconnect switch                         |       | ■    | ■    |
| Dual drives  |       | ■    | ■    |
| Decorative or protective powder coating              |       | ■    | ■    |
| Certified for high wind and seismic applications     |       | ■    | ■    |
| UL/cUL Listed Power Ventilators                      |       | ■    | ■    |



### Dimensions for RSF

| Model Size | A sq. | B sq.            | C                | Nominal Sq. Sizes        |             |
|------------|-------|------------------|------------------|--------------------------|-------------|
|            |       |                  |                  | Recommended Roof Opening | Damper Size |
| 90         | 26    | 35 $\frac{1}{8}$ | 23 $\frac{1}{4}$ | 15                       | 12          |
| 100        | 30    | 41 $\frac{1}{8}$ | 23 $\frac{1}{4}$ | 17                       | 14          |
| 120        | 34    | 47 $\frac{1}{8}$ | 27 $\frac{1}{4}$ | 21                       | 18          |
| 150        | 40    | 53 $\frac{1}{8}$ | 31 $\frac{1}{4}$ | 23                       | 20          |
| 180        | 46    | 61 $\frac{1}{8}$ | 34 $\frac{1}{4}$ | 29                       | 26          |
| 200        | 52    | 73 $\frac{1}{8}$ | 39 $\frac{1}{4}$ | 33                       | 30          |

All dimensions are in inches.



### Dimensions for RSFP

| Model Size | A sq. | BL sq.            | CL               | Nominal Sq. Sizes        |             |
|------------|-------|-------------------|------------------|--------------------------|-------------|
|            |       |                   |                  | Recommended Roof Opening | Damper Size |
| 90         | 26    | 31 $\frac{1}{8}$  | 25 $\frac{1}{8}$ | 15                       | 12          |
| 100        | 30    | 35 $\frac{1}{8}$  | 25 $\frac{1}{8}$ | 17                       | 14          |
| 120        | 34    | 39 $\frac{1}{8}$  | 29 $\frac{1}{8}$ | 21                       | 18          |
| 150        | 40    | 45 $\frac{1}{8}$  | 33 $\frac{1}{8}$ | 23                       | 20          |
| 180        | 46    | 51 $\frac{1}{8}$  | 35 $\frac{1}{8}$ | 29                       | 26          |
| 200        | 52    | 58 $\frac{3}{16}$ | 40 $\frac{1}{8}$ | 33                       | 30          |

All dimensions are in inches.



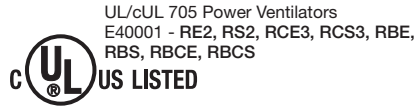
Shown with tall base option.

## Model RE2, RS2, RCE3, RCS3 Direct Drive and RBE, RBS, RBCE, RBCE Belt Drive

Hooded roof fans are designed to exhaust or supply high volumes of air from commercial and industrial buildings. Interlocking fabra hood design consists of four material thicknesses at each rib location ensuring strength in severe conditions. Some models are available as filtered or reversible.

### Quick Build Performance

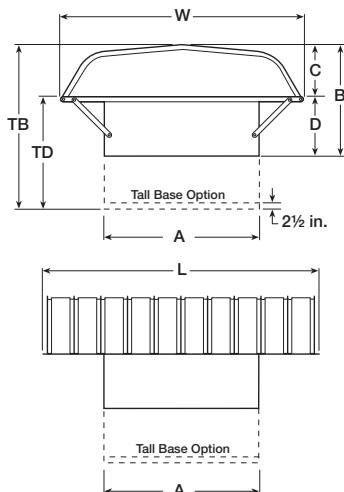
Capacities range from 825 to 79,7000 cfm and 1.5 in. wg of static pressure.



Model RE2, RS2, RCE3, RCS3, RBE, RBS, RBCE, RBCE are AMCA Licensed for Sound and Air Performance

**Best Available Program**  
5 Days

| Standard Construction   | Direct Drive |           | Belt Drive |           |           |
|---|--------------|-----------|------------|-----------|-----------|
|   | RE2 RS2      | RCE3 RCS3 | RBE RBS    | RBCE RBCE |           |
| Hood and base - galvanized steel                                | ■            | ■         | ■          | ■         |           |
| Propeller - cast aluminum                                       |              | ■         |            | ■         |           |
| Propeller - fabricated steel                                    | ■            |           | ■          |           |           |
| Birdscreen - galvanized   | ■            | ■         | ■          | ■         |           |
| Corrosion-resistant fasteners                                   | ■            | ■         | ■          | ■         |           |
| Filters - two-inch aluminum, washable (RBF, RBCF, RPBRF, RPDRF) |              |           | ■          | ■         |           |
| Ball bearing motor - 1/4 hp and larger                          | ■            | ■         | ■          | ■         |           |
| Relubricatable bearings   |              |           | ■          | ■         |           |
| Adjustable motor pulley   |              |           | ■          | ■         |           |
| Options and Accessories   | Stock        | RE2 RS2   | RCE3 RCS3  | RBE RBS   | RBCE RBCE |
| Damper  |              | ■         | ■          | ■         | ■         |
| Roof curb   | ✓            | ■         | ■          | ■         | ■         |
| Roof curb accessories - seals, adaptors, extensions             |              | ■         | ■          | ■         | ■         |
| Tall base with access door                                      |              | ■         | ■          | ■         | ■         |
| Hood and base - aluminum  |              | ■         | ■          | ■         | ■         |
| Hood insulation   |              | ■         | ■          | ■         | ■         |
| Safety guards   |              | ■         | ■          | ■         | ■         |
| Wiring - pigtails   |              | ■         | ■          | ■         | ■         |
| Lube lines  |              |           |            | ■         | ■         |
| Tie-down points and lifting lugs                                |              | ■         | ■          | ■         | ■         |
| NEMA rated disconnect switch                                    |              | ■         | ■          | ■         | ■         |
| Dual drives   |              |           |            | ■         | ■         |
| Decorative or protective powder coating                         |              | ■         | ■          | ■         | ■         |
| Certified for high wind and seismic applications                |              | ■         | ■          | ■         | ■         |
| UL/cUL Listed Power Ventilators                                 |              | ■         | ■          | ■         | ■         |



### Dimensions

- Direct Drive Sizes 18-54
- Belt Drive Sizes 20-72

| Model Size | Fan Panel Sq. Size |     | Standard Base |     | Tall Base |     | Standard Hood | Filtered Hood | Damper Sq. Size | Roof Opening Sq. Size |
|------------|--------------------|-----|---------------|-----|-----------|-----|---------------|---------------|-----------------|-----------------------|
|            | A                  | C   | B             | D   | TB        | TD  | W x L         | W x L         |                 |                       |
| 18         | 28                 | 13  | 23            | 10  | 40¼       | 27¼ | 48 x 51       | —             | 18              | 20½                   |
| 20         | 30                 | 16  | 27            | 11  | 44¼       | 28¼ | 54 x 51       | 54 x 51       | 20              | 22½                   |
| 24         | 34                 | 18  | 29            | 11  | 46¼       | 28¼ | 66 x 63       | 66 x 63       | 24              | 26½                   |
| 30         | 40                 | 20  | 34            | 14  | 51¼       | 31¼ | 75 x 75       | 78 x 87       | 30              | 32½                   |
| 36         | 46                 | 21  | 38½           | 17½ | 56¾       | 34¾ | 88 x 87       | 94 x 87       | 36              | 38½                   |
| 42         | 52                 | 24  | 42½           | 18½ | 59¾       | 35¾ | 86 x 99       | 93 x 99       | 42              | 44½                   |
| 48         | 58                 | 24  | 43½           | 19½ | 60¾       | 36¾ | 93 x 111      | 112 x 111     | 48              | 50½                   |
| 54         | 64                 | 26½ | 49            | 22½ | 66¼       | 39¾ | 112 x 111     | 124 x 123     | 54              | 56½                   |
| 60         | 70                 | 26½ | 50            | 23½ | 67¼       | 40¾ | 124 x 123     | 136 x 135     | 60              | 62½                   |
| 72         | 83                 | 29  | 53            | 24  | 70¼       | 41¼ | 136 x 135     | 136 x 147     | 72              | 74½                   |

All dimensions are in inches.