

# Plenum

APD-24  
Arrg. 4



APH-24  
Arrg. 1



APM-24  
Arrg. 4



Model APD is AMCA Licensed for Air and Sound Performance and Efficiency

Model APH and APM are AMCA Licensed for Sound and Air Performance

**Best Available Program**

5 Days

## Models APD, APH and APM Direct and Belt Drive

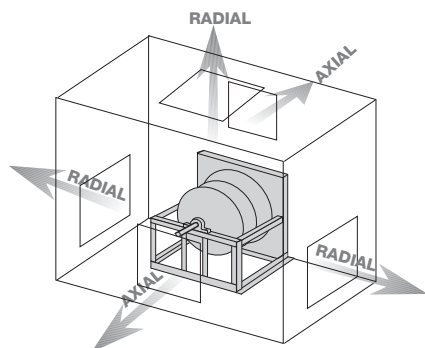
Plenum fans are designed for clean air handling applications where the fan operates unhooded within a pressurized plenum with airstream temperatures up to 200°F. The compact size of the plenum fan makes it an excellent selection for retrofit and replacement applications and in variable air volume systems.





### Quick Build Performance

Capacities up to 70,000 cfm and 7 in. wg of static pressure.

Standard Construction	APD	APH	APM
Wheel - powder coated steel, backward curved, 7-bladed	■		
Wheel - aluminum, airfoil, 12-bladed		■	■
Heavy-gauge spun inlet cone	■	■	■
Minimum bearing life of L <sub>10</sub> 80,000 hours (Average life - L <sub>50</sub> 400,000 hours)		■	
Minimum bearing life of L <sub>10</sub> 40,000 (80,000 optional) hours (Average life - L <sub>50</sub> 400,000 hours)			■
Final assembly vibration analysis	■	■	Optional
Options and Accessories			
Protective cage		■	■
Guard - inlet	■	■	■
Totally enclosed belt guard		■	■
Inlet collars, flanges, and screens		■	■
Extended lube line kit		■	■
Decorative or protective powder coating		■	■
Isolation base		■	■
Sure-Aire™, airflow monitoring	■	■	■

### Typical Installation



	Mounting	Model	Arrangement
 APH	Horizontal* Motor on Base Belt Drive	APH	1, 3
 APM	Horizontal** Motor on Frame (Top) Belt Drive	APH, APM	3
 APH	Horizontal** Motor on Frame (Side) Belt Drive	APH, APM	3
 APD	Horizontal Direct Drive	APD, APH, APM	4

\*Arrangement 1 & 3 units with horizontal mounting must be mounted on an isolation base.

\*\*Not available with isolation base.